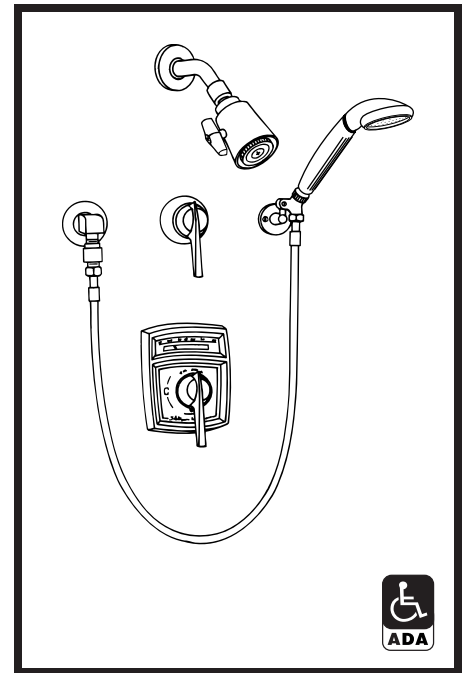


# 1-117VT-FS Visu-Temp® Shower System with Hand Spray

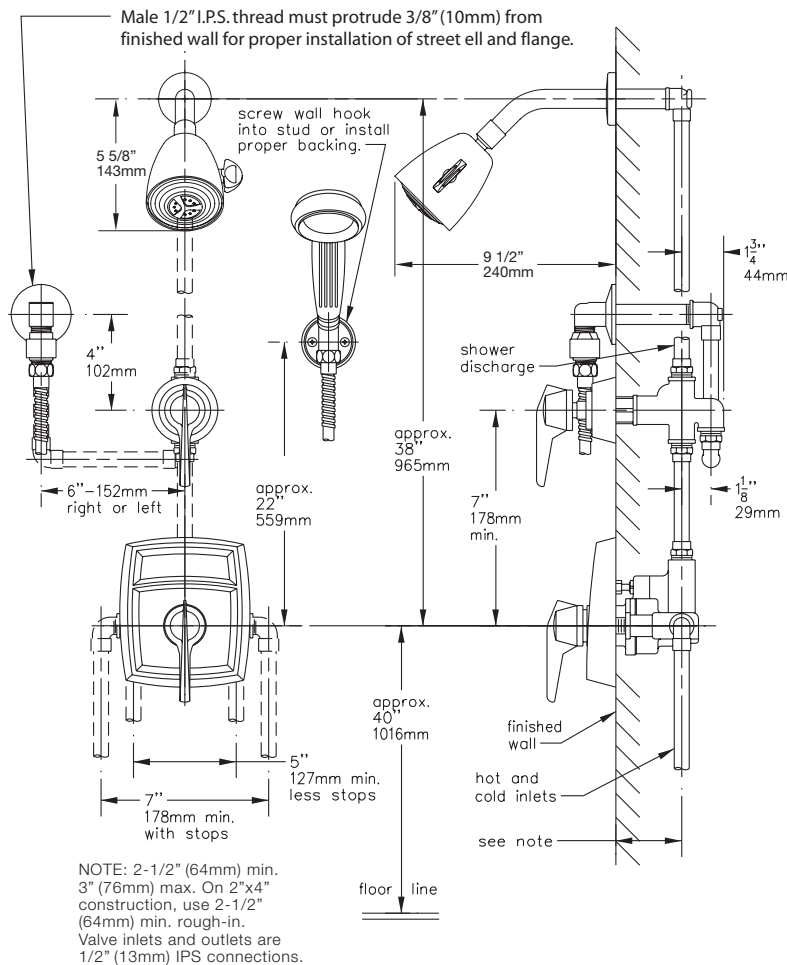
Visu-Temp Pressure-Balancing mixing valve with integral thermometer and adjustable stop screw to limit handle turn. Lever diverter with volume control for shower head and hand spray. Super shower head with arm and flange. Wall/hand shower with flexible 5' metal hose, in-line vacuum breaker, wall connection and flange. Wall hook for hand shower mounting.

## Modifications:

- Suffix X:** Integral service stops—allows water shut-off at valve for service
- Suffix X-3/4** 3/4" valve to increase flow approximately 20%
- Suffix 6:** 6' hose in place of standard 5' hose
- Suffix R:** Vinyl hose in place of standard metal hose



**SYMMONS PRODUCTS MEET  
ANSI A112.18.1M, EPA '92  
AND ALL KNOWN FLOW RATE  
REQUIREMENTS.  
Shower Heads and Hand Showers  
2.5 GPM (9.5 L/min)**



## Job/Location

.....  
.....

## Engineer

.....  
.....

## Contractor

.....  
.....

This drawing to be used for rough-in installation only. All floor to center dimensions optional. Concealed piping and fittings not furnished by manufacturer. Dimensions are for ADA compliance (Americans with Disabilities Act) consult ADAAG or your state regulations for proper product choice and mounting locations. For complete installation, adjustment and service information see installation instructions.

Symmons Industries, Inc. ■ 31 Brooks Drive ■ Braintree, MA 02184  
(800) 796-6667, (781) 848-2250 ■ Fax (800) 961-9621, (781) 843-3849  
Website: [www.symmons.com](http://www.symmons.com) ■ Email: [customerservice@symmons.com](mailto:customerservice@symmons.com)

