

5991TRM  
Shower Trim  
**Specification Submittal**

Location:

**Model Numbers**

- 5991TRM**  
Shower Trim
- Valve Options:**  
-261 Series Temptrol® Shower Valve used with TRM modifiers  
-161 Series Temptrol Shower valve requires TC modifier

**Feature Highlights**

- Birch® Shower Trim.
- Requires Temptrol® Pressure Balancing Shower Valve.
- Metal lever handle.
- Single-mode HydroMersion™ showerhead.
- 2.0 gpm (7.6 L/min) flow restrictor.
- Components shall be metal and nonmetallic construction, plated in standard Polished Chrome finish.

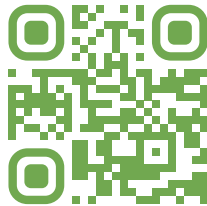
**Compliance**

- ASME A112.18.1/CSA B125.1.
- WaterSense 1.5 gpm (5.7 L/min)/2.0 gpm (7.6 L/min).
- Lever handle meets ADA requirements for operation.



**Warranty**

**Limited Lifetime** - for residential installations.  
**10 Years** - for commercial/industrial installations.  
Refer to [www.symmons.com/warranty](http://www.symmons.com/warranty) for complete warranty information.



**Options/Modifications**

- 15** 1.5 gpm (5.7 L/min) flow restrictor
- L1** Less showerhead
- L7** Less handle
- TC** Test Cap Trim (includes TA-10&T-12A) used with 161 series Temptrol Valve
- STN** Satin Nickel finish

**SKU Builder**

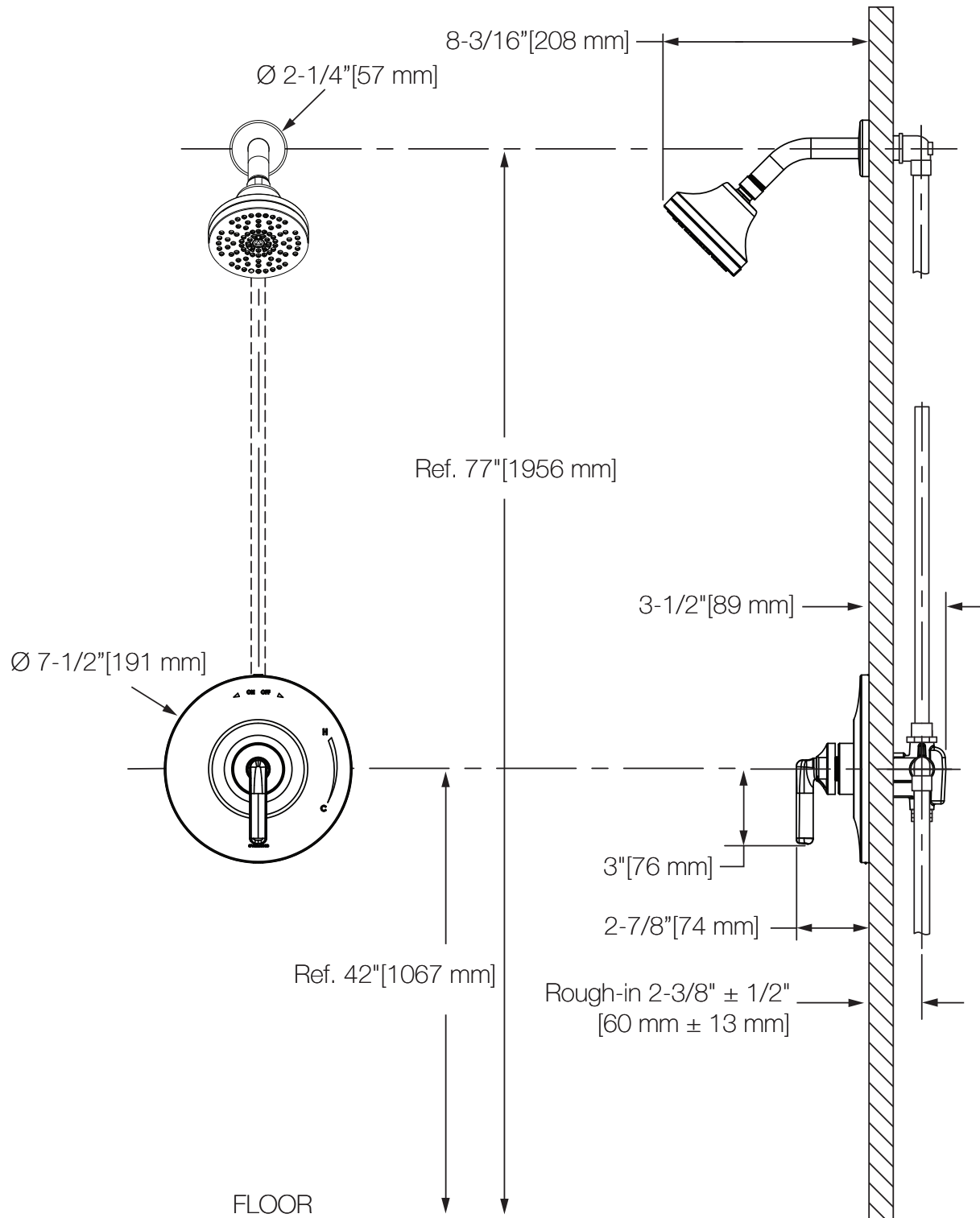
Series	Finish	Modifier	Flow Rate	TRM (required)	TC	Final SKU
5991	MB	L1		TRM	TC	5991MBL1TRMTC
5991	MB			TRM		5991MBTRM

**Note:** No more than two modifiers (L1-L7) permitted when ordering. Modifiers will list in numerical order.

**Architectural/Engineering Specification**

Symmons Birch® Shower Trim \_\_\_\_\_ Includes Birch® Shower Trim powered by Temptrol® Pressure Balancing Shower Valve. Features include metal lever handle, single-mode HydroMersion showerhead, 2.0 gpm (7.6 L/min) flow restrictor. Components shall be metal and nonmetallic construction, plated in standard Polished Chrome finish. 10 Year Commercial Warranty. ASME A112.18.1/CSA B125.1, WaterSense 1.5 gpm (5.7 L/min)/2.0 gpm (7.6 L/min) compliant. Lever handle meets ADA requirements for operation. Available options: 15 = 1.5 gpm (5.7 L/min) flow restrictor, L1 = Less showerhead, L7 = Less handle, TC = Test Cap Trim, and STN = Satin Nickel finish.

## Dimensions



### Notes:

- 1) Valve body and piping not included and shown as reference only.
- 2) Plaster shield (p/n T-176) for dry wall, plaster or other type walls  $1/2\text{\"}$  or greater.
- 3) All dimensions measured from nominal rough-in (see  $2\text{-}3/8\text{\"} \pm 1/2\text{\"} [60\text{ mm} \pm 13\text{ mm}]$  as reference).
- 4) Dimensions subject to change without notice.