

Location:



Tub Spout with Diverter 053 Specification Submittal

Model Numbers

- 053 Tub Spout with diverter

Alternate Finish Options

Append appropriate -suffix to model number.

- Polished chrome finish (standard)

Warranty

- Limited Lifetime - to the original end purchaser in residential / consumer installations.
- 5 years - for commercial installations

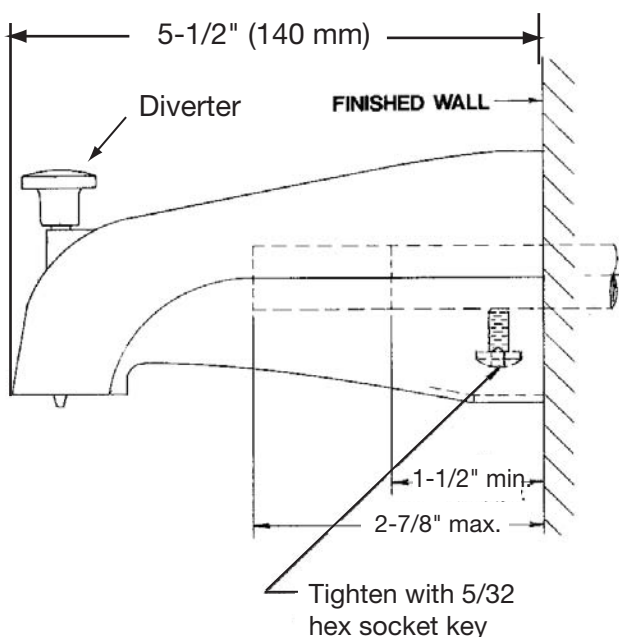
Feature Highlights

- Slip-on tub spout with diverter
- 1/2 inch inlet
- Zinc, 5-1/2 inches
- Polished chrome finish (standard)

Standards / Certifications

ASME A112.18.1-2005/CSA B125.1-05

Dimensions *Tub Spout with Diverter, 053 (Slip-on spout)*



Caution: Ensure seal is not damaged by making outside of 5/8 inch diameter tube is free of burrs and sharp edges prior to tub spout installation. Tube length from finished wall should be 1-1/2" min. to 2-7/8" max.

Note: Dimensions subject to change without notice.

Symmons Industries, Inc. ■ 31 Brooks Drive ■ Braintree, MA 02184
(800) 796-6667, (781) 848-2250 ■ Fax (800) 961-9621, (781) 664-1300
Website: www.symmons.com ■ Email: customerservice@symmons.com

©2008-2009 Symmons Industries, Inc. Printed in U.S.A. ■ 061509


the smart choice™