




Location:

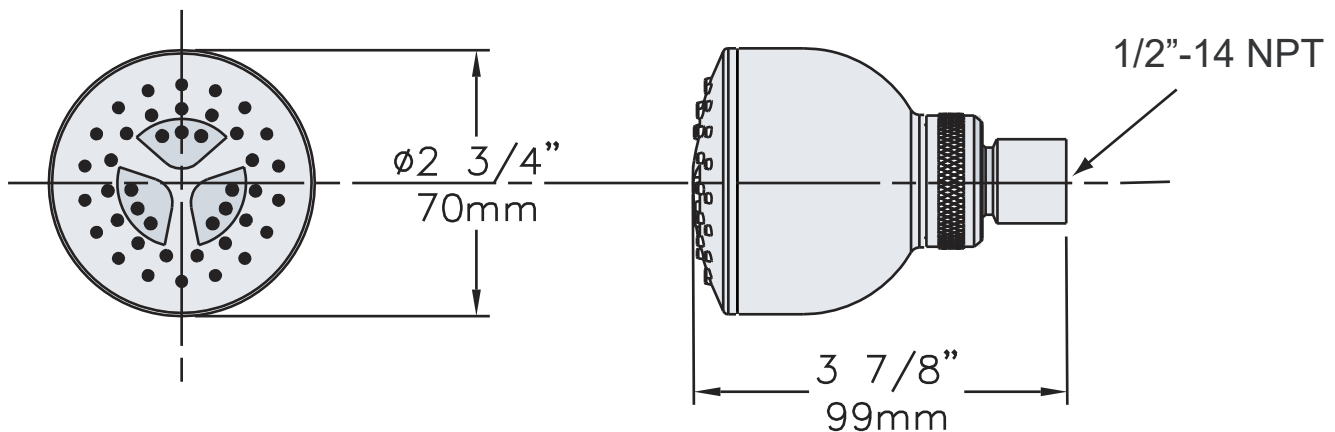


1 Mode Showerhead Specification Submittal



Model Numbers	Specification
<input type="checkbox"/> 4-141 1 Mode 2-3/4" Showerhead	<ul style="list-style-type: none"> • Single mode showerhead with full drenching spray • Self cleaning • Flood or mist spray • Standard 1/2 inch female ball-joint connection • Standard flow rate is 2.0 gpm (7.6 L/min) .
Modifications	
<input type="checkbox"/> -1.5  1.5 gpm (5.7 L/min) flow restrictor <input type="checkbox"/> -1.75 1.75 gpm (6.6 L/min) flow restrictor	<h3>Warranty</h3>
Finish Options / Modifications	<p>Limited Lifetime - to the original end purchaser in consumer/residential installations.</p> <p>10 Years - for commercial/industrial installations. Refer to www.symmons.com/warranty for complete warranty information.</p> 
<input type="checkbox"/> -STN Satin Nickel Finish	
<p>Note: Append appropriate -suffix to model number.</p>	Compliance
	<p>-ASME A112.18.1/CSA B125.1 -WaterSense: 1.5GPM, 1.75GPM, 2.0GPM</p> 

Dimensions



Note: Dimensions subject to change without notice.