




Location:



S-9602-P, S-9602-P-TRM, S9602P, S9602PTRM
Tub/Shower System or Trim

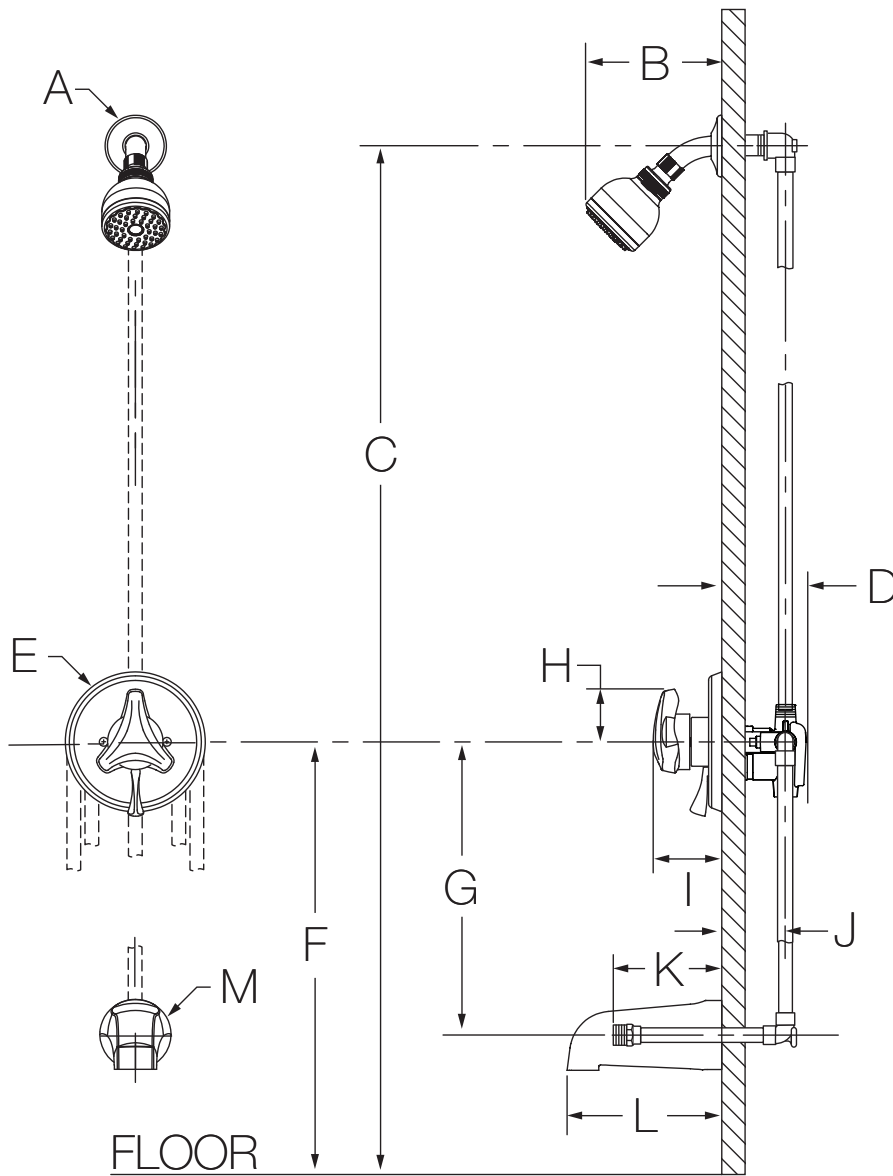
Specification Submittal

Feature Highlights	Options/Modifications
<ul style="list-style-type: none"> • Origins Tub/Shower System or Trim • Requires Temptrol® Pressure Balancing Tub/Shower Valve (included with S-9602-P) • Adjustable stop screw to limit handle turn (included with S-9602-P) • Integral diverter control • Tri-star handle • 1 mode showerhead with easy to clean nozzles • 5-1/4" non-diverter tub spout • Components shall be metal and nonmetallic construction, plated in standard Polished Chrome finish • Available with TA-10 flow control spindle and T-12A cap assembly for Temptrol valve bodies installed with Test Cap (order p/n S9602PTRMTC) 	<ul style="list-style-type: none"> <input type="checkbox"/> -1.5  1.5 gpm (5.7 L/min) flow restrictor <input type="checkbox"/> L1 Less showerhead <input type="checkbox"/> L4 Less head, arm and flange <input type="checkbox"/> L7 Less handle <input type="checkbox"/> TC Test cap trim <input type="checkbox"/> -CHKS Integral check stops <input type="checkbox"/> -VP Vandal resistant escutcheon screws in place of standard screws <input type="checkbox"/> -B Brass escutcheon (chrome only) <input type="checkbox"/> -X Integral service stops - allows water shut-off at valve for service
Model Numbers	Compliance
<ul style="list-style-type: none"> <input type="checkbox"/> S-9602-P Tub/Shower system with integral diverter control and Temptrol Pressure Balancing Shower Valve (modifiers include decimal points and hyphens) <input type="checkbox"/> S9602P Tub/Shower system with integral diverter control and Temptrol Pressure Balancing Shower Valve (use when ordering L1-L7 modifications, do not use hyphens or decimal points) <input type="checkbox"/> S-9602-P-TRM Tub/Shower trim with integral diverter control and Temptrol Pressure Balancing Shower Valve (modifiers include decimal points and hyphens) <input type="checkbox"/> S9602PTRM Tub/Shower trim with integral diverter control and Temptrol Pressure Balancing Shower Valve (use when ordering L1-L7 modifications, do not use hyphens or decimal points) 	<p>ASME A112.18.1/CSA B125.1 WaterSense 1.5 gpm (5.7 L/min), 2.0 gpm (7.6 L/min)</p> 
<p>Note: -To create trim sku, follow the format: Base SKU -> Finish -> Modifier (L1-L7) -> Flow Rate (If lower than standard) -> TRM (If applicable) -To create valve & trim sku, follow the format: Base SKU -> X or CHKS -> P -> Finish -> Modifier (L1-L7) -> Flow Rate (If lower than standard) -For B and REV modifications, contact customer service for your sku</p>	Warranty
	<p>Limited Lifetime - to the original end purchaser in consumer/residential installations. 10 Years - for commercial/industrial installations. Refer to www.symmons.com/warranty for complete warranty information.</p> 

Architectural/ Engineering Specification

Symmons Origins _____ With Origins Tub/Shower System or Trim, Requires Temptrol® Pressure Balancing Tub/Shower Valve (included with S-9602-P), Adjustable stop screw to limit handle turn (included with S-9602-P), Integral diverter control, Tri-star handle, 1 mode showerhead with easy to clean nozzles, 5-1/4" non-diverter tub spout, Components shall be metal and nonmetallic construction, plated in standard Polished Chrome finish, Available with TA-10 flow control spindle and T-12A cap assembly for Temptrol valve bodies installed with Test Cap (order p/n S9602PTRMTC) 10 Year Commercial Warranty. ASME A112.18.1/CSA B125.1, WaterSense 1.5 gpm (5.7 L/min), 2.0 gpm (7.6 L/min), complaint. Available options include: " 1.5 - 1.5 gpm (5.7 L/min) flow restrictor", "L1 - Less showerhead", "L4 - Less head, arm and flange", "L7 - Less handle", "VP - Vandal resistant escutcheon screws in place of standard screws", "B - Brass escutcheon (chrome only)", "X - Integral service stops - allows water shut-off at valve for service", "CHKS - Integral check stops", and "TC - Test cap trim".

Dimensions



Measurements	
A	Ø 2-1/2", 64 mm
B	6-3/8", 162 mm
C	Ref. 77", 1956 mm
D	3-1/2", 89 mm
E	Ø 5-3/4", 146 mm
F	Ref. 32", 813 mm
G	Ref. 12", 305 mm
H	2-1/8", 54 mm
I	2-7/8", 73 mm
J	Rough-in 2-3/8" ± 1/2", 60 mm ± 13 mm
K	Male 1/2-14 NPT fitting must protrude 4" (102 mm) from finished wall
L	5-1/4", 133 mm
M	Ø 2-1/2", 64 mm

Notes:

- 1) Valve body and piping not included and shown as reference only.
- 2) Plaster shield (p/n T-176) for dry wall, plaster or other type walls 1/2" or greater.
- 3) All dimensions measured from nominal rough-in (see J as reference).
- 4) Dimensions subject to change without notice.