





KN-4
Cartridge
Specification Submittal

Location:

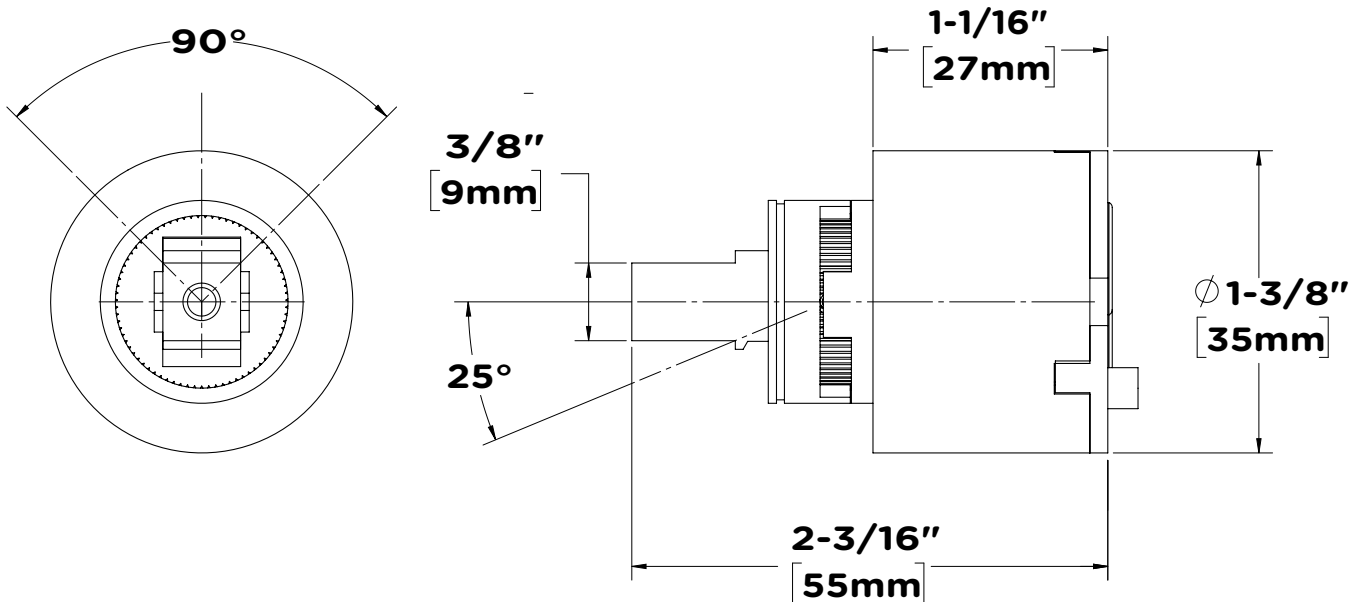


Model Numbers	Feature Highlights
<input type="checkbox"/> KN-4 35mm Cartridge	<ul style="list-style-type: none"> Cartridge with ceramic control components.
Compliance	Warranty
<ul style="list-style-type: none"> ASME A112.18.1/CSA B125.1. 	<div style="display: flex; align-items: center;">  <div> <p>Limited Lifetime - for residential installations.</p> <p>10 Years - for commercial/industrial installations.</p> <p>Refer to www.symmons.com/warranty for complete warranty information.</p> </div>  </div>

Architectural/Engineering Specification

Symmons Cartridge _____ Feature includes cartridge with ceramic control components. 10-Year Commercial Warranty. ASME A112.18.1/CSA B125.1 compliant.

Dimensions



Note: Dimensions subject to change without notice.