

# Location:



# SYMMONS® Safetymix/Visu-Temp®

1-117-FS, 1-117VT  
 Shower Head/Hand Shower Trim  
**Specification Submittal**



## Feature Highlights

- Symmons tub and shower system with a lever handle
- Symmons Safetymix pressure balancing mixing valve with adjustable stop screw to limit handle turn
- Super showerhead, single mode with adjustable flood or mist spray, #4-231
- Lever diverter with volume control for showerhead and hand shower, #2DIV-BODY
- 1 mode hand shower (white finish), with flexible 5 foot metal hose and inline vacuum breaker, #FS
- Wall hook for mounting hand shower
- Standard flow rate 2.0 gpm (7.6 L/min)
- Polished chrome finish
- Visu-Temp Pressure Balancing mixing valve with integral thermometer and adjustable stop screw to limit handle turn

## Model Numbers

- 1-117-FS**  
Shower System with Hand Shower and Symmons Safetymix pressure balancing mixing valve.
- 1-117-FS-TRM**  
Shower System with Hand Shower Trim only, valve sold separately
- 1-117VT-FS**  
Shower System with Hand Shower and Symmons Visu-Temp pressure balancing mixing valve
- 1-117VT-FSB**  
Shower System with 30" Slide Bar & Hand Shower with Symmons VisuTemp Pressure Balancing valve
- 1-117-FSB**  
Shower System with 30" Slide Bar & Hand Shower with Symmons SafetyMix Pressure Balancing valve

## Compliance

- ASME A112.18.1/CSA B125.1



## Options/Modifications

- 1.5** **1.5 gpm (5.7 L/min) flow restrictor**
- L1** **Less showerhead**
- L2** **Less hand shower (wand only)**
- L3** **Less showerhead and hand shower (head and wand only)**
- L4** **Less head, arm and flange**
- L5** **Less hand shower system (less bar/cradle, hose, wand and elbow)**
- L7** **Less handle**
- B30** **30" adjusting bar in place of wall hook**
- X-CHKS** **Integral check stops: Used where a positive shut-off device is used down stream of mixing valve**
- X** **Integral stops - allows water shut off at valve for service. Recommended for use on all multiple commercial installations**
- QD** **Quick disconnect**
- VP** **Vandal resistant escutcheon screws in place of standard screws**
- 151** **Institutional Showerhead #4-151**
- 295** **Institutional Showerhead #4-295**
- NS** **Non-shared diverter valve**
- 72** **72" hose in place of 60" hose**
- E** **External volume control on shower-head**
- B48** **48" adjusting bar in place of wall hook**
- X-3/4"** **3/4" valve to increase flow approximately 20%**
- STN** **Satin Nickel finish**

**Note:** Append appropriate -suffix to model number.

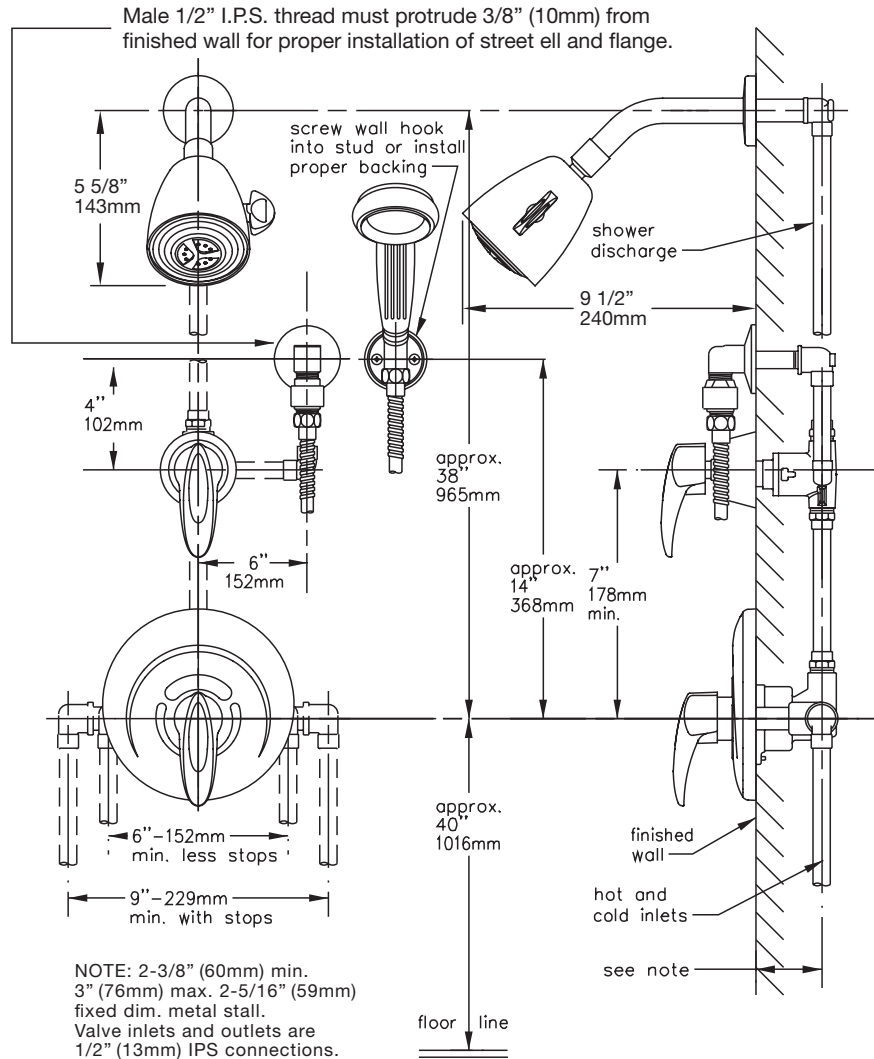
## Warranty

**Limited Lifetime** - to the original end purchaser in consumer/residential installations.

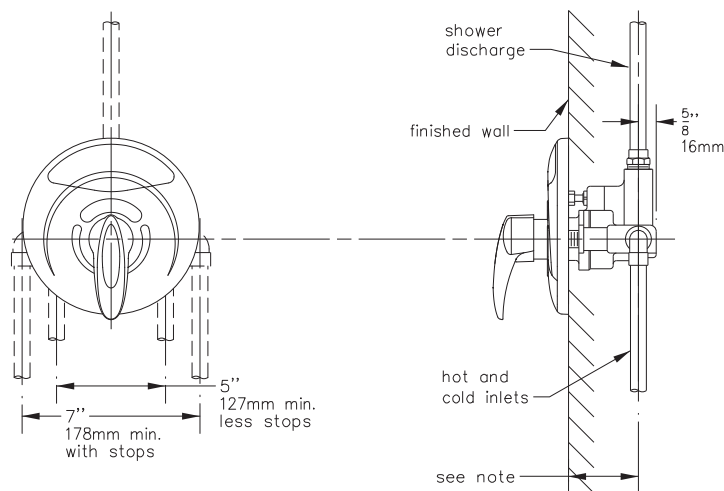
**10 Years** - for commercial/industrial installations. Refer to [www.symmons.com/warranty](http://www.symmons.com/warranty) for complete warranty information.



## Dimensions



### -VT Modification



### Notes:

- 1) Valve body and piping not included and shown as reference only.
- 2) Plaster shield (p/n T-176) for dry wall, plaster or other type walls 1/2" or greater.
- 3) All dimensions measured from nominal rough-in (see H as reference).
- 4) Dimensions subject to change without notice.