



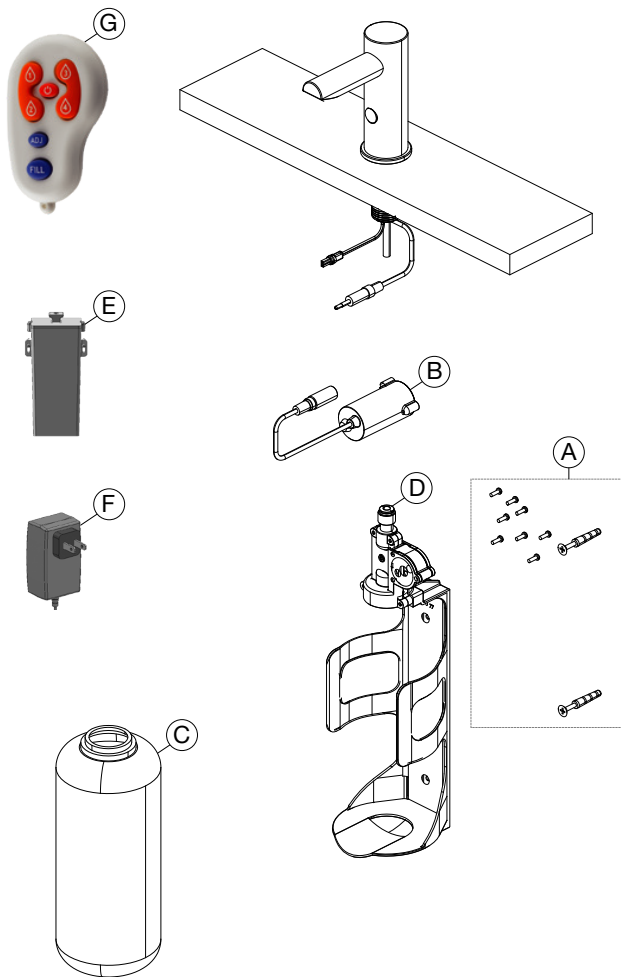
Sensor Soap Dispenser

Parts Breakdown Document

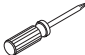


Model Numbers

- SD6350BL** Sensor Soap Dispenser
6X1.5V Batteries included
- SD6350EL** Sensor Soap Dispenser
12V Transformer

Parts Breakdown



Replacement Parts		
Item	Description	Part Number
A	Seals and screws kit	SD001
B	Pump assembly	SD004
C	Soap bottle 1L (single)	SD005
D	Soap bottle support kit (single)	SD007
E	Battery box (batteries excluded)	SD009
F	12V switching transformer	SD010
G	Remote control for SD	RC6960SDL

Required for Installation	
Phillips Screwdriver	
Drill	
Plumber tape	
Plumber putty	