





Location:



3505BTRM
Shower/Hand Shower System
Specification Submittal

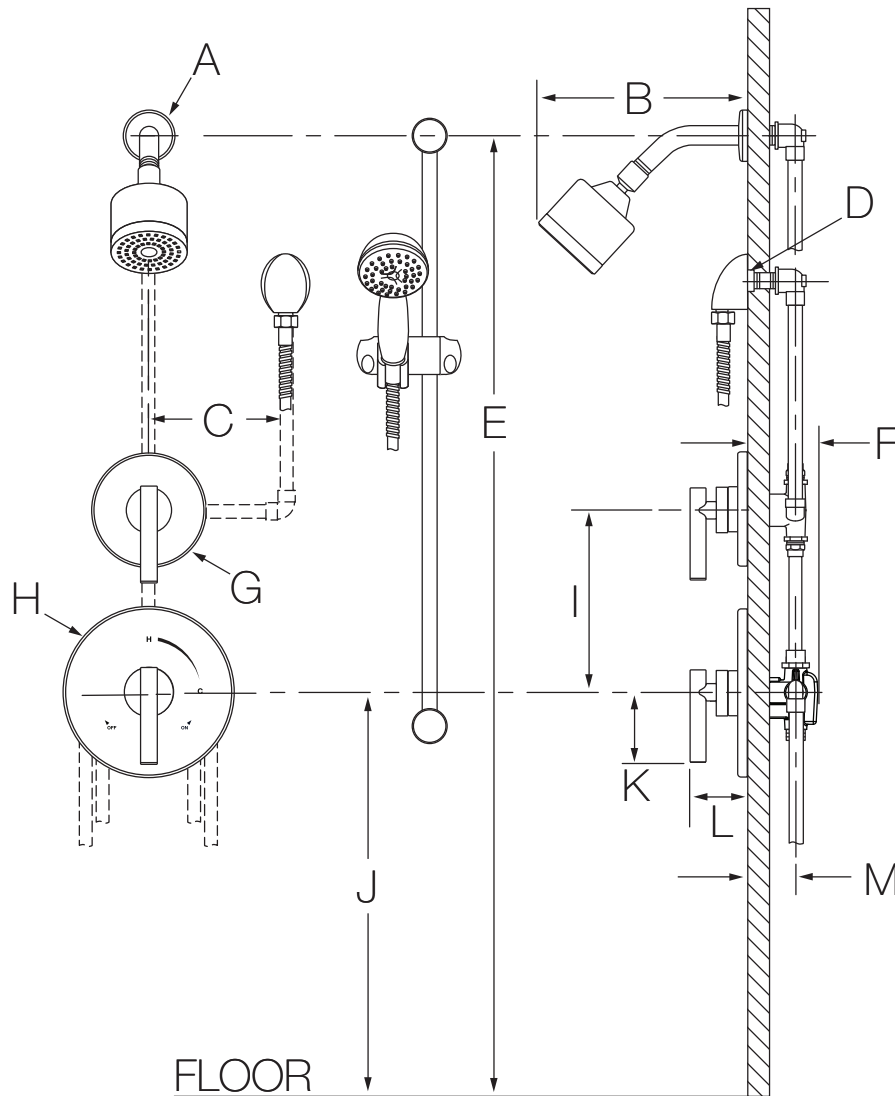


Model Numbers	Compliance
<ul style="list-style-type: none"> <input type="checkbox"/> 3505BTRM Tub/Shower System <input type="checkbox"/> 3505BTRMTC Tub/Shower Trim with TA-10 flow control spindle and T-12A cap assembly, must order Temptrol valve with Test Cap 	<p>-ASME A112.18.1/CSA B125.1 -WaterSense 1.5 gpm (5.7 L/min) 2.0 gpm (7.6 L/min)</p> <div style="text-align: right;">   </div>
Modifications	Warranty
<ul style="list-style-type: none"> <input type="checkbox"/> -1.5  1.5 gpm (5.7 L/min) flow restrictor <input type="checkbox"/> -Delete Suffix B Chrome plastic escutcheon on valve with color graphics/indicators in place of standard brass escutcheon <input type="checkbox"/> -L1 Less showerhead <input type="checkbox"/> -L2 Less hand shower wand <input type="checkbox"/> -L3 Less showerhead & hand shower wand <input type="checkbox"/> -L4 Less showerhead, shower arm & flange <input type="checkbox"/> -L5 Less hand shower system (less bar/cradle, hose, wand & elbow) <input type="checkbox"/> -L7 Less handle <input type="checkbox"/> -STN Satin Nickel finish <input type="checkbox"/> -MB Matte Black finish <input type="checkbox"/> -BBZ Brushed Bronze finish <input type="checkbox"/> -1L "1" Spindle Extension <p>Note: Append appropriate -suffix to model number.</p>	<p>Limited Lifetime - to the original end purchaser in consumer/residential installations. 10 Years - for commercial/industrial installations. Refer to www.symmons.com/warranty for complete warranty information.</p> 

Architectural/Engineering Specification

Symmons Dia Shower and Hand Shower System _____ Includes Temptrol® Pressure Balancing valve, Adjustable stop screw to limit handle turn, 30" slide bar, separate two function diverter, in-line vacuum breaker, metal CYL handle, 60" flexible metal hose, 1 mode hand shower, 1 mode showerhead and standard 2.0 gpm (7.6 L/min) flow restrictors. Components made from metal and nonmetallic materials plated in standard polished chrome finish. 10 Year Commercial Warranty. ASME A112.18.1/CSA B125.1 and WaterSense compliant. Available options: "1.5 - 1.5 gpm (5.7 L/min) flow restrictor", "Delete Suffix B - Chrome plastic escutcheon on valve with color graphics/indicators in place of standard brass escutcheon", "TRM - Trim only, valve not included", "L1 - Less showerhead", "L2 - Less hand shower wand", "L3 - Less showerhead and hand shower wand", "L4 - Less showerhead, shower arm and flange", "L5 - Less hand shower system (less bar/cradle, hose, wand and elbow)", "L7 - Less handle", "STN - Satin Nickel finish", "MB - Matte Black finish", "BBZ - Brushed Bronze finish", "1L - "1" Spindle Extension".

Dimensions



Measurements	
A	Ø 2-1/2", 64 mm
B	6-3/4", 171 mm
C	6", 152 mm
D	Male 1/2-14 NPT thread must be recessed 1/4" (6 mm) from finished wall
E	Ref. 77", 1956 mm
F	3-1/2", 89 mm
G	Ø 5", 127 mm
H	Ø 7-1/2", 191 mm
I	Ref. 10", 254 mm
J	Ref. 42", 1067 mm
K	3", 76 mm
L	2-7/8", 73 mm
M	Rough-in 2-3/8" ± 1/2", 60 mm ± 13 mm

Notes:

- 1) All dimensions measured from nominal rough-in (see M as reference).
- 2) Dimensions are subject to change without notice.