

Location:



SYMMONS® Allura®

4703-TRM, 4703TRMTC
Hand Shower Trim
Specification Submittal



Feature Highlights

- Allura Hand Shower Trim
- Requires Temptrol® Pressure Balancing Shower Valve
- Metal lever handle
- Cradle for hand shower wand
- Dual checks for backflow protection
- 60" flexible metal hose
- 3 mode hand shower wand
- 2.0 gpm (7.6 L/min) flow restrictor
- Tub spout not included
- Components shall be metal and nonmetallic construction, plated in standard Polished Chrome finish
- Available with TA-10 flow control spindle and T-12A cap assembly for Temptrol valve bodies installed with Test Cap (order p/n 4703TRMTC)
- For optional in-line vacuum breaker order p/n EF-109

Model Numbers


- 4703-TRM**
Hand Shower Trim, Temptrol Pressure Balancing Shower Valve ordered separately
- 4703TRMTC**
Hand Shower Trim with TA-10 flow control spindle and T-12A cap assembly, must order Temptrol valve with Test Cap

Compliance

- ASME A112.18.1/CSA B125.1



Options/Modifications

- 1.5**  1.5 gpm (5.7 L/min) flow restrictor
- L2** Less hand shower wand
- L7** Less shower handle
- STN** Satin Nickel finish

Note: Append appropriate -suffix to model number.

Warranty

Limited Lifetime - to the original end purchaser in consumer/residential installations.

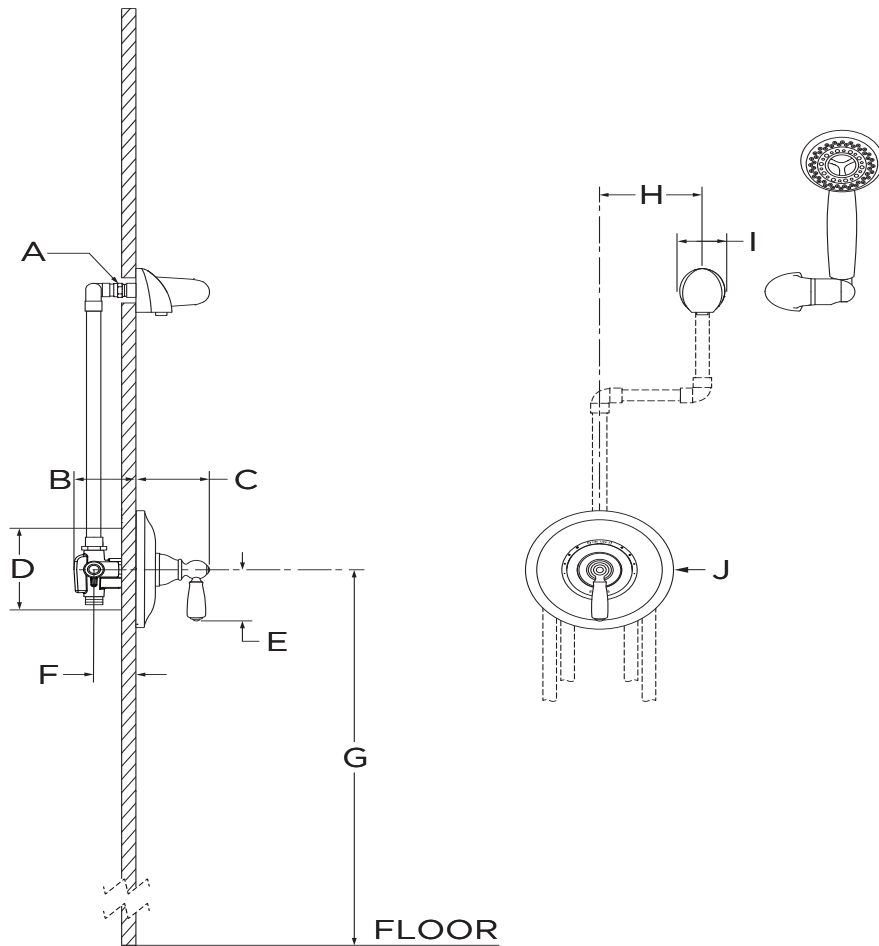
10 Years - for commercial/industrial installations. Refer to www.symmons.com/warranty for complete warranty information.



Architectural/ Engineering Specification

Symmons Allura _____ With Allura Hand Shower Trim, Requires Temptrol® Pressure Balancing Shower Valve, Metal lever handle, Cradle for hand shower wand, Dual checks for backflow protection, 60" flexible metal hose, 3 mode hand shower wand, 2.0 gpm (7.6 L/min) flow restrictor, Tub spout not included, Components shall be metal and nonmetallic construction, plated in standard Polished Chrome finish, Available with TA-10 flow control spindle and T-12A cap assembly for Temptrol valve bodies installed with Test Cap (order p/n 4703TRMTC), For optional in-line vacuum breaker order p/n EF-10910 Year Commercial Warranty. ASME A112.18.1/CSA B125.1, complaint. Available options include: "1.5 - 1.5 gpm (5.7 L/min) flow restrictor", "L7 - Less shower handle", "STN - Satin Nickel finish.

Dimension



Measurements	
A	Male 1/2" NPT fitting must be recessed 1/4" (6 mm) from finished wall
B	3-1/2", 89 mm
C	4-1/8", 105 mm
D	Shower Valve Hole Size Min. Ø 3", 76 mm Max. Ø 4", 102 mm
E	3-1/8", 79 mm
F	Rough-in 2-3/8" ± 1/2", 60 mm ± 13 mm
G	Ref. 42", 1067 mm
H	6", 152 mm
I	2-1/8", 54 mm
J	Ø 7", 178 mm

Notes:

- 1) Valve body and piping not included and shown as reference only.
- 2) Plaster shield (p/n T-176) for dry wall, plaster or other type walls 1/2" or greater.
- 3) All dimensions measured from nominal rough-in (see F as reference).
- 4) Dimensions subject to change without notice.