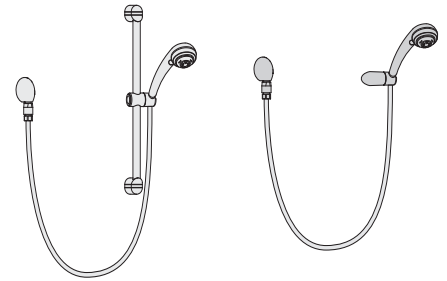




SYMMONS® Euro-Flo™

Location:





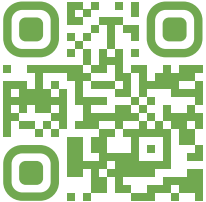
H325-V

H305-V

H325-V, H305-V

Hand Shower

Specification Submittal

| | |
|---|--|
| <p>Model Numbers</p> <p><input type="checkbox"/> H325-V Hand shower, SC-127 with 30 inch vertical bar, wall connection and flange</p> <p><input type="checkbox"/> H305-V Hand shower, SC-127 with wall mounted cradle, wall connection and flange</p> | <p>Feature Highlights</p> <ul style="list-style-type: none"> • Euro-Flo™ five function hand shower with full shower pulsating message and soft shower water saving spray head • 5 foot flexible metal hose with in-line vacuum breaker • Hand shower flow rate 2.0 gpm (7.6 L/min) • 30 inch (762 mm) vertical bar with adjustable slide (model H325-V only) • Polished chrome finish (standard) |
| <p>Options/ Modifications</p> <p><input type="checkbox"/> 1.5  1.5 gpm (5.7 L/min) flow restrictor</p> <p><input type="checkbox"/> STN Satin Nickel finish</p> <p>Note: Append appropriate -suffix to model number.</p> | |
| <p>Compliance</p> <p>- ASME A112.18.1/CSA B125.1</p>  | <p>Warranty</p> <p>Limited Lifetime - to the original end purchaser in consumer/residential installations.</p> <p>10 Years - for commercial/industrial installations. Refer to www.symmons.com/warranty for complete warranty information.</p>  |

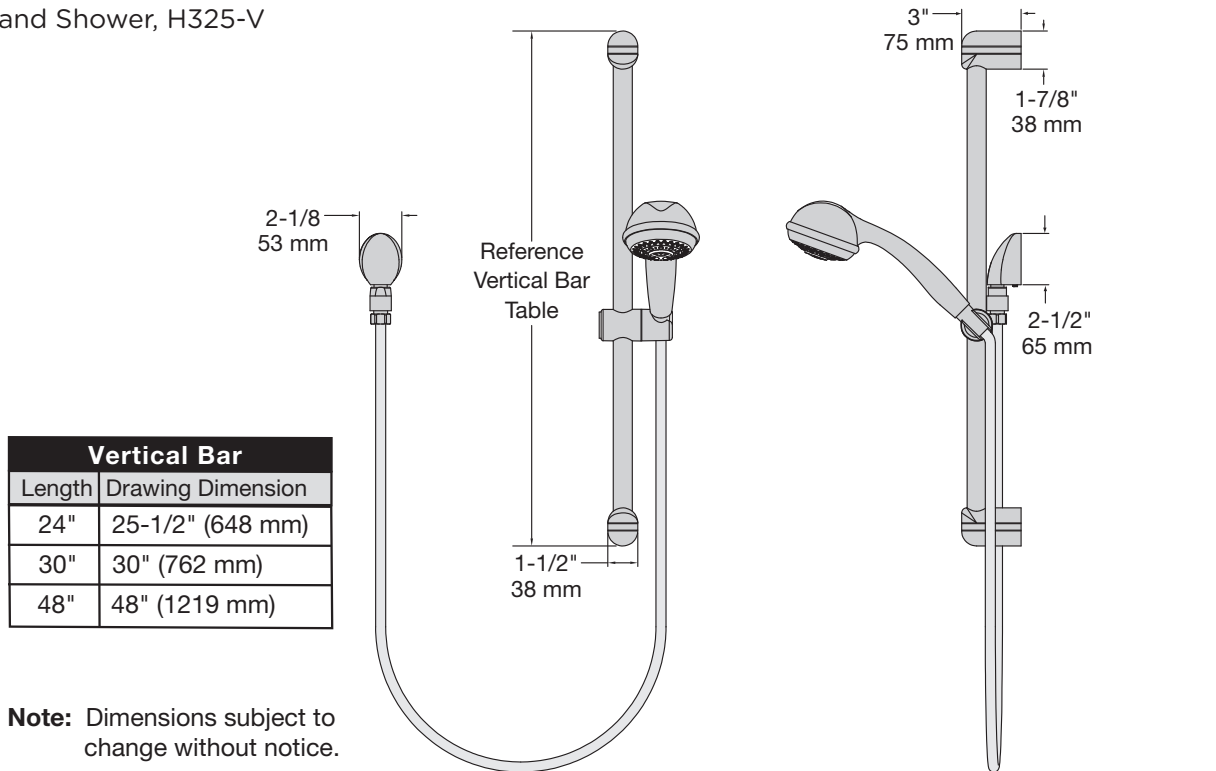
Architectural/ Engineering Specification

Symmons Euro-Flo Hand Shower _____ Includes Euro-Flo five function hand shower with full shower pulsating message and soft shower water saving spray head, 5 foot flexible metal hose with in-line vacuum breaker, Hand shower flow rate 2.0 gpm (7.6 L/min), 30 inch (762 mm) vertical bar with adjustable slide (model H325-V only), Polished chrome finish (standard). 10 Year Commercial Warranty. ASME A112.18.1/CSA B125.1 compliant. Available options: "1.5 - 1.5 gpm (5.7 L/min) flow restrictor", "STN - Satin Nickel finish".

H325-V, H305-V

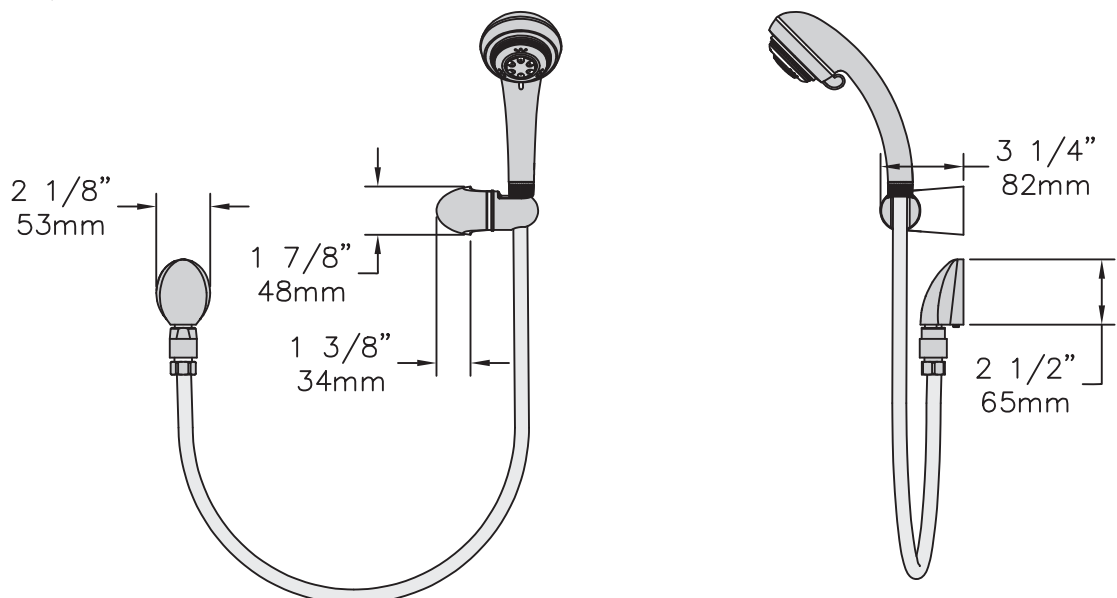
Dimensions

Hand Shower, H325-V



Note: Dimensions subject to change without notice.

Hand Shower, H305-V



Note: Dimensions subject to change without notice.