






5892TRM  
Tub/Shower Trim

Location:

### Specification Submittal

Model Numbers	Feature Highlights
<p><input type="checkbox"/> <b>5892TRM</b> Tub/Shower Trim</p> <p><b>Valve Options:</b> -262 Series Temptrol Shower valve with TRM modifier -162 Series Temptrol Shower valve requires TC modifiers</p>	<ul style="list-style-type: none"> <li>• Braston® Tub/shower Trim.</li> <li>• Requires Temptrol® Pressure Balancing shower valve.</li> <li>• Adjustable stop screw to limit handle turn.</li> <li>• Diverter tub spout.</li> <li>• 7-mode HydroMersion™ showerhead with Non-Positive Shutoff (NSPO).</li> <li>• Standard 2.0 gpm (7.6 L/min) flow restrictor.</li> <li>• Components made from metal and nonmetal materials, plated in standard Polished Chrome finish.</li> </ul>
Compliance	Modifications
<ul style="list-style-type: none"> <li>• ASME A112.18.1/CSA B125.1.</li> <li>• WaterSense 1.5 gpm (5.7 L/min) 2.0 gpm (7.6 L/min).</li> <li>• Lever handle meets ADA requirements for operation.</li> </ul>   	<ul style="list-style-type: none"> <li><input type="checkbox"/> <b>15</b>  1.5 gpm (5.7 L/min) flow restrictor</li> <li><input type="checkbox"/> <b>L1</b> Less showerhead</li> <li><input type="checkbox"/> <b>L4</b> Less head, arm and flange</li> <li><input type="checkbox"/> <b>L7</b> Less handle</li> <li><input type="checkbox"/> <b>TC</b> Test Cap Trim (includes TA-10&amp;T-12A) used with 162 Series Temptrol Valve</li> <li><input type="checkbox"/> <b>BBZ</b> Brushed Bronze finish</li> <li><input type="checkbox"/> <b>MB</b> Matte Black finish</li> <li><input type="checkbox"/> <b>STN</b> Satin Nickel finish</li> </ul>
Warranty	
<p><b>Limited Lifetime</b> - for residential installations. <b>10 Years</b> - for commercial/industrial installations. Refer to <a href="http://www.symmons.com/warranty">www.symmons.com/warranty</a> for complete warranty information.</p> 	

### SKU Builder

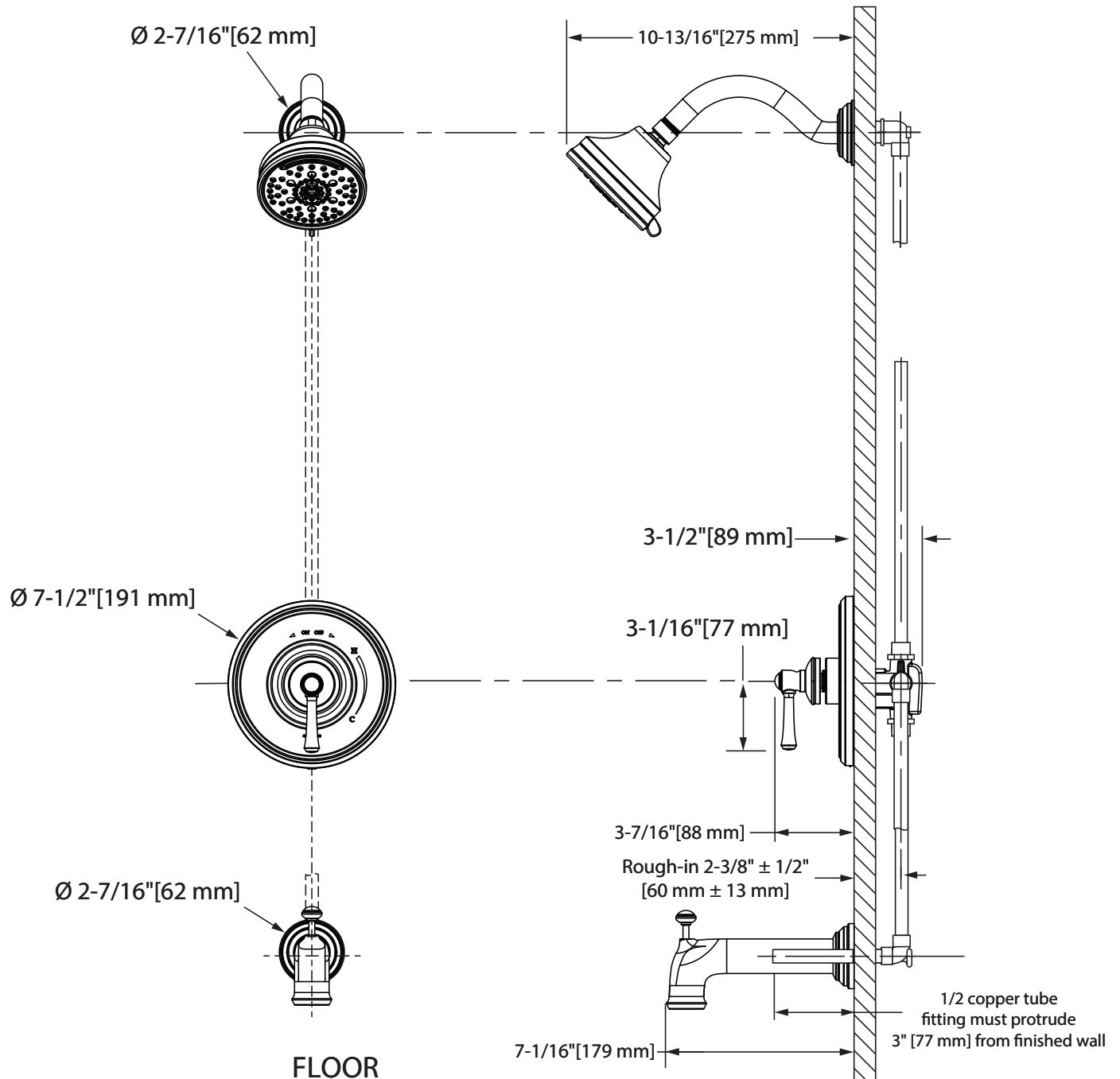
Series	Finish	Modifier	Flow Rate	Trim (required)	Test Cap	Final SKU
5892	MB	L1		TRM	TC	5892MBL1TRMTC
5892	MB			TRM		5892MBTRM

**Note:** No more than two modifiers (L1-L7) permitted when ordering. Modifiers will list in numerical order.

### Architectural/Engineering Specification

Symmons Braston® Tub and Shower Trim \_\_\_\_\_ Includes Braston® Tub and shower Trim powered by Temptrol® Pressure Balancing shower valve. Features include adjustable stop screw to limit handle turn, diverter tub spout, 7-mode HydroMersion showerhead with NPSO, standard 2.0 gpm (7.6 L/min) flow restrictor. Components made from metal and nonmetal materials, plated in standard Polished Chrome finish. 10 Year Commercial Warranty. ASME A112.18.1/CSA B125.1 and WaterSense 1.5/2.0 complaint. Lever handle meets ADA requirements for operation. Available options: 15 = 1.5 gpm (5.7 L/min) flow restrictor, L1 = Less showerhead, L4 = Less head, arm and flange, L7 = Less handle, TC = Test Cap Trim, BBZ = Brushed Bronze finish, MB = Matte Black finish, and STN = Satin Nickel finish.

## Dimensions



### Notes:

- 1) Valve body and piping not included and shown as reference only.
- 2) Plaster shield (p/n T-176) for dry wall, plaster or other type walls 1/2" or greater.
- 3) All dimensions measured from nominal rough-in (see 2-3/8"  $\pm$  1/2" [60 mm  $\pm$  13 mm] as reference).
- 4) Dimensions subject to change without notice.