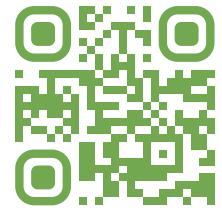


Location:



532SH
Showerhead
Specification Submittal

Model Numbers <input type="checkbox"/> 532SH Showerhead	Feature Highlights <ul style="list-style-type: none"> • 6 inch rain showerhead • Single mode • Standard flow rate, 2.0 gpm (7.6 L/min) • Optional lower flow rate restrictor available • Polished chrome finish (standard)
Options/ Modifications <input type="checkbox"/> 1.5 1.5 gpm (5.7 L/min) flow restrictor <input type="checkbox"/> 1.75 1.75 gpm (6.6 L/min) flow restrictor <input type="checkbox"/> STN Satin Nickel finish <input type="checkbox"/> BLK Modern Black finish <input type="checkbox"/> MB Matte Black Finish Note: Append appropriate -suffix to model number.	Warranty Limited Lifetime - to the original end purchaser in consumer/residential installations. 10 Years - for commercial/industrial installations. Refer to www.symmons.com/warranty for complete warranty information.



Compliance

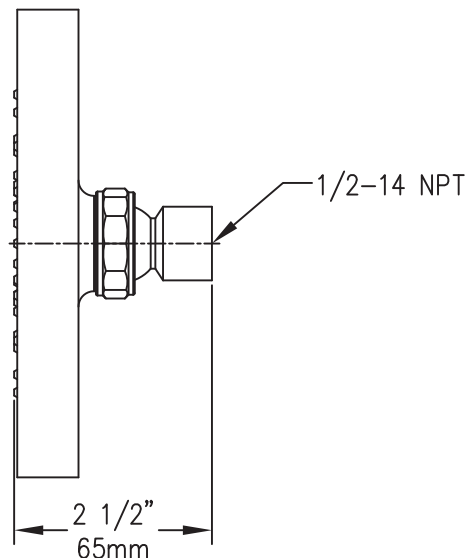
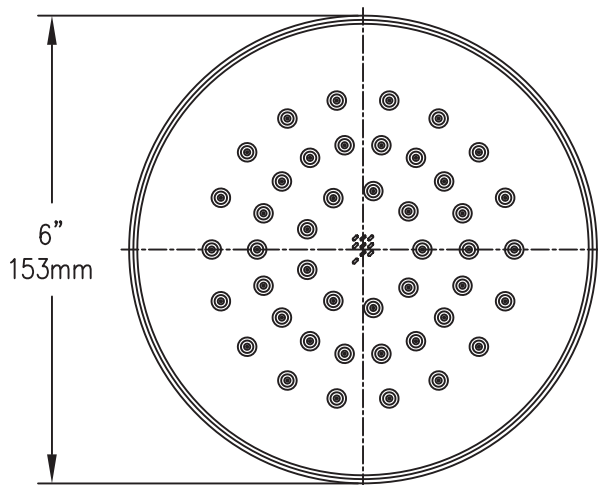
- ASME A112.18.1/CSA B125.1
- WaterSense 1.5 gpm & 2.0 gpm



Architectural/ Engineering Specification

Symmons Museo Showerhead _____ Includes 6 inch rain showerhead, Single mode, Standard flow rate, 2.0 gpm (7.6 L/min), Optional lower flow rate restrictor available, Polished chrome finish (standard). 10 Year Commercial Warranty. ASME A112.18.1/CSA B125.1, WaterSense 1.5 gpm & 2.0 gpm compliant. Available options: "1.5 - 1.5 gpm (5.7 L/min) flow restrictor", "1.75 - 1.75 gpm (6.6 L/min) flow restrictor", "STN - Satin Nickel finish", "BLK - Modern Black finish", "MB - Matte Black Finish".

Dimensions



Note: Dimensions subject to change without notice.