








**SYMMONS® Duro®**

Location:

SLW3612CA  
Two Handle Widespread Lavatory Faucet  
**Specification Submittal**



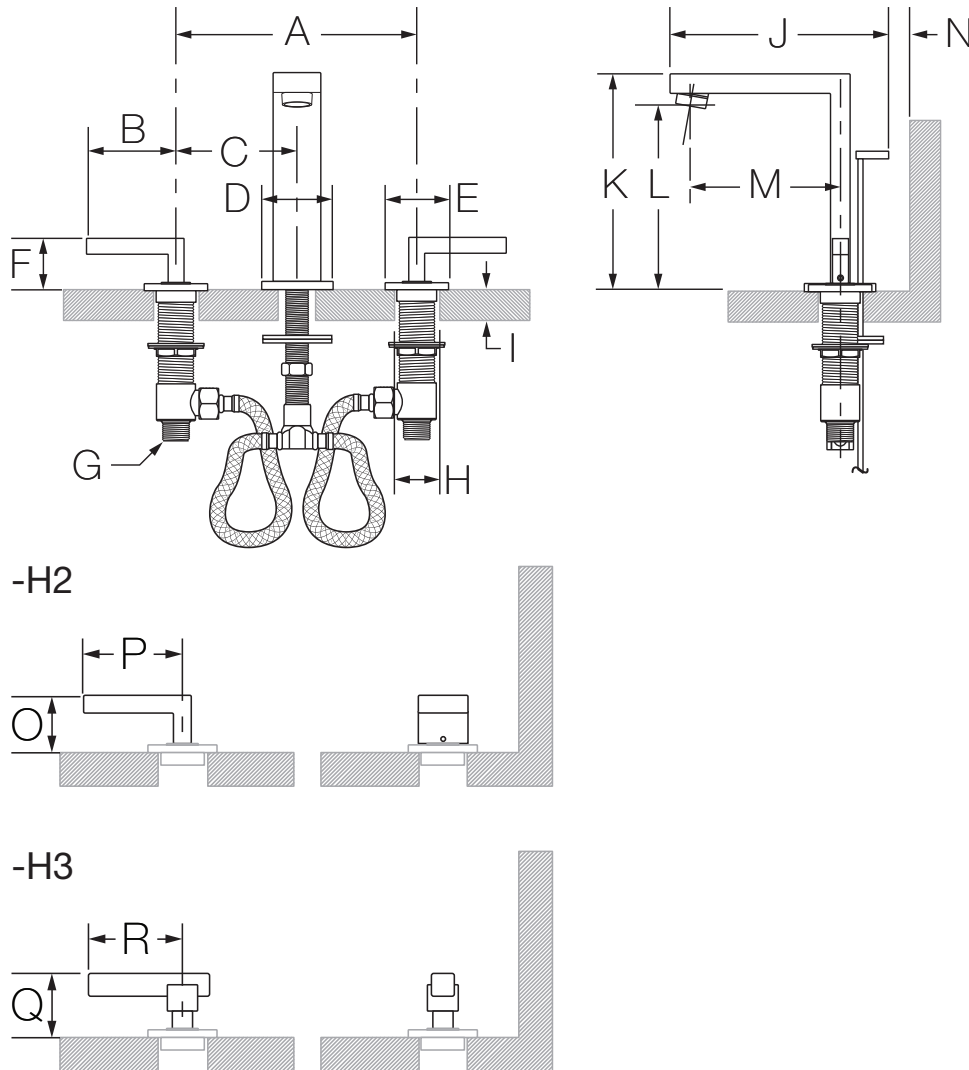
Model Numbers	Feature Highlights
<input type="checkbox"/> <b>SLW3612CA</b> Two Handle Widespread Lavatory Faucet with lift rod and metal drain assembly	<ul style="list-style-type: none"> <li>• 8" to 16" mount configuration</li> <li>• Quarter turn ceramic cartridges</li> <li>• 6-5/8" height</li> <li>• Standard 1.0 gpm (3.8 L/min) flow rate</li> <li>• Faucet shall be metal construction, plated in standard polished chrome finish</li> </ul>
Finish Options/Modifications	Compliance
<input type="checkbox"/> <b>05</b>  0.5 gpm (1.9 L/min) flow restrictor <input type="checkbox"/> <b>H2</b>  Alternative lever handle (Chrome and Satin Nickel only) <input type="checkbox"/> <b>BBZ</b> Brushed Bronze finish <input type="checkbox"/> <b>MB</b> Matte Black finish <input type="checkbox"/> <b>STN</b> Satin Nickel finish  <p><b>Note:</b> Append appropriate suffix to model number.</p>	<p>ASME A112.18.1/CSA B125.1 NSF/ANSI/CAN 61: Q&lt;1, NSF/ANSI 372 WaterSense 1.0 gpm (3.8 L/min)</p>   <hr/> <h3>Warranty</h3> <p><b>Limited Lifetime</b> - to the original end purchaser in consumer/residential installations.  <b>10 Years</b> - for commercial/industrial installations. Refer to <a href="http://www.symmons.com/warranty">www.symmons.com/warranty</a> for complete warranty information.</p> 

**Architectural/ Engineering Specification**

Symmons Duro Two Handle Widespread Lavatory Faucet \_\_\_\_\_ With 8" to 16" mount configuration, quarter turn ceramic cartridges, 6-5/8" height, Standard 1.0 gpm (3.8 L/min) flow rate, Faucet shall be metal construction, plated in standard polished chrome finish, 10 Year commercial Warranty. ASME A112.18.1/CSA B125.1, NSF/ANSI/CAN 61: Q<1, NSF/ANSI 372 , WaterSense 1.0 gpm (3.8 L/min), complaint. Available options include: "05 - 0.5 gpm (1.9 L/min) flow restrictor", "H2 - Alternative lever handle (Chrome and Satin Nickel only)", "BBZ - Brushed Bronze finish", "MB - Matte Black finish", "STN - Satin Nickel finish".

SLW3612CA

## Dimensions



Measurement	
<b>A</b>	Min. 8", 203 mm Max. 16", 406 mm
<b>B</b>	2-3/4", 70 mm
<b>C</b>	4", 102 mm
<b>D</b>	2-1/8", 54 mm
<b>E</b>	2", 51 mm
<b>F</b>	1-5/8", 40 mm
<b>G</b>	1/2-14 NPSM
<b>H</b>	(3x) Hole size Min. Ø 1-1/4", 32 mm Max. Ø 1-3/8", 35 mm
<b>I</b>	Deck Thickness Ref. Min. 7/8", 22 mm Max. 2-3/8", 60 mm
<b>J</b>	6-3/8", 161 mm
<b>K</b>	6-5/8", 170 mm
<b>L</b>	5-5/8", 143 mm
<b>M</b>	4-5/8", 116 mm
<b>N</b>	Min. 1/2", 13 mm
<b>O</b>	1-5/8", 41 mm
<b>P</b>	2-3/4", 70 mm
<b>Q</b>	1-3/4", 44 mm
<b>R</b>	2-5/8", 67 mm

**Note:** Dimensions subject to change without notice.