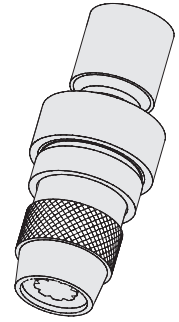





Location:



4-282 Series  
Fre-flo Showerhead  
**Specification Submittal**

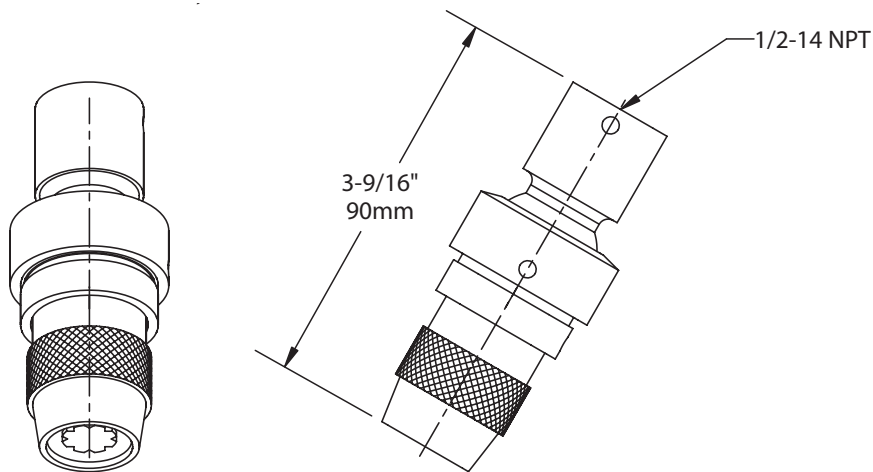


<b>Model Numbers</b>	<b>Feature Highlights</b>
<input type="checkbox"/> <b>4-282F</b> 1/2 inch-14 NPT female ball joint <input type="checkbox"/> <b>4-282M</b> 1/2 inch MIPS threaded connection	<ul style="list-style-type: none"> <li>• Fre-flo single mode brass showerhead</li> <li>• Full spray and soft shower water saving spray modes</li> <li>• 2.0 gpm (7.6 L/min) standard flow restrictor</li> <li>• Optional lower flow rate restrictors available</li> <li>• Polished chrome finish (standard)</li> </ul>
<b>Options/ Modifications</b> <input type="checkbox"/> <b>-VP</b> <b>Vandal-resistant shower head</b> <input type="checkbox"/> <b>-OWBJ</b> <b>One-way ball joint</b> <input type="checkbox"/> <b>-1.5</b> <b>1.5 (5.7 L/min) flow rate restrictor</b> <b>Note:</b> Append appropriate -suffix to model number.	
<b>Compliance</b>	<b>Warranty</b>
- ASME A112.18.1/CSA B125.1 - Buy American Act Compliant   	<b>Limited Lifetime</b> - to the original end purchaser in consumer/residential installations. <b>10 Years</b> - for commercial/industrial installations. Refer to <a href="http://www.symmons.com/warranty">www.symmons.com/warranty</a> for complete warranty information. 

**Architectural/ Engineering Specification**

Symmons Fre-flo\_Showerhead \_\_\_\_\_ Includes Fre-flo single mode brass showerhead, Full spray and soft shower water saving spray modes, 2.0 gpm (7.6 L/min) standard flow restrictor, Optional lower flow rate restrictors available, Polished chrome finish (standard). 10 Year Commercial Warranty. ASME A112.18.1/CSA B125.1/ Buy American Act Compliant. Available options: "-VP - Vandal-resistant shower head", "-OWBJ - One-way ball joint", "-1.5 - 1.5 (5.7 L/min) flow rate restrictor".

**Dimensions**



**Note:** Dimensions subject to change without notice.