

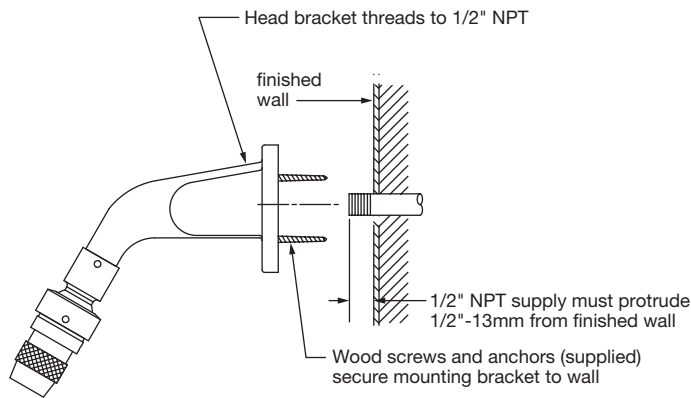
## 4-485

One mode commercial showerhead with adjustable spray, female ball joint connection and nozzle-type design for maximum protection against hard water mineral build-up.

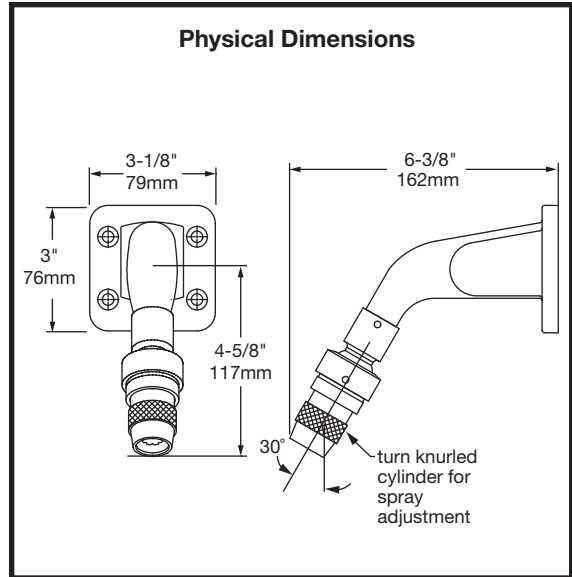
**Suffix A:** Anchor plate for use with ceramic tile

**Suffix B:** Back plate and bolts for 6" thick wall

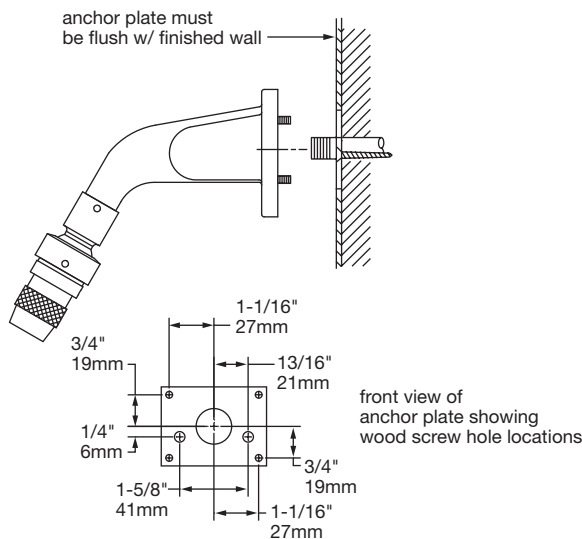
### Standard Installation



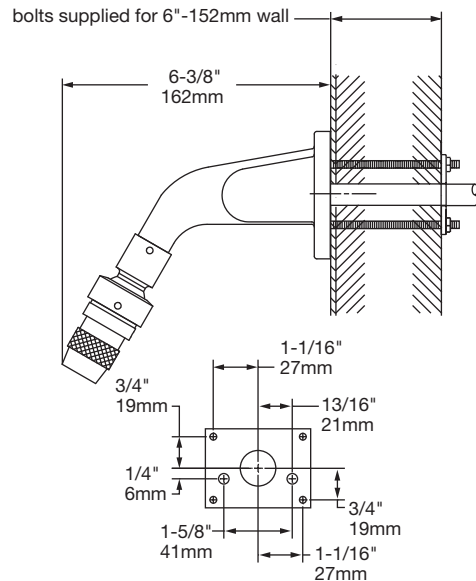
### Physical Dimensions



### Installation with Anchor Plate — Suffix "A"



### Installation with Back Plate — Suffix "B"



Anchor plate used for ceramic tile application—plate screws to wall and tile is applied up to sides of plate. Mounting bracket is mounted on finished wall with machine screws into anchor plate

Symmons Industries, Inc. ■ 31 Brooks Drive ■ Braintree, MA 02184

Phone: (800) 796-6667 ■ Fax: (800) 961-9621

Website: [symmons.com](http://symmons.com) ■ Email: [gethelp@symmons.com](mailto:gethelp@symmons.com)

Copyright © 2016 Symmons Industries, Inc. ■ ZV-3220 REV 0 ■ 102016

**SYMMONS**<sup>®</sup>  
the smart choice™