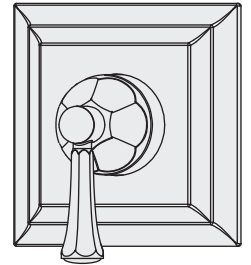


Location:

SYMMONS® Canterbury™

Dual Outlet Diverter 45-2DIV Specification Submittal



Model Numbers

- 45-2DIV Diverter valve and trim

Finish Options

Append appropriate -suffix to model number.

- STN Satin nickel finish
- Polished chrome finish (standard)

Standards / Certifications

ASME A112.18.1/CSA B125.1

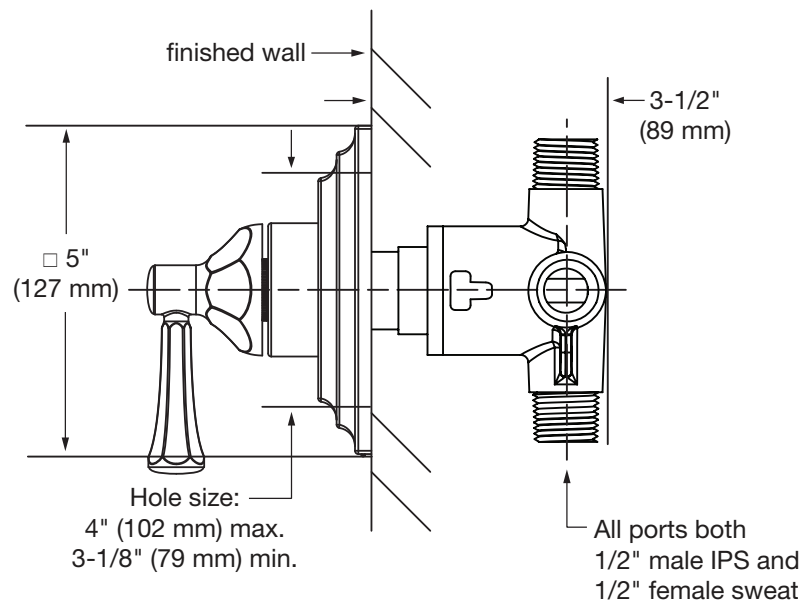
Feature Highlights

- Dual outlet diverter valve with trim
- Metal construction
- Polished chrome finish (standard)

Warranty

- Limited Lifetime - to the original end purchaser in consumer installations.
- 5 years - for commercial installations

Dimensions Canterbury Dual Outlet Diverter Valve, 45-2DIV



Notes:

- (1) See shower valve rough-in dimensions for system dimensions.
- (2) Dimensions subject to change without notice

Symmons Industries, Inc. ■ 31 Brooks Drive ■ Braintree, MA 02184
Phone: (800) 796-6667 ■ Fax: (800) 961-9621
www.symmons.com ■ gethelp@symmons.com

Copyright © 2015 Symmons Industries, Inc. ■ ZV-1466 REV A ■ 091815

SYMMONS®
the smart choice™