



4700-TRM, 4700TRM
Shower Valve Trim

Location:

Specification Submittal

Model Numbers

- 4700-TRM**
Shower Valve Trim (modifiers include decimal points and hyphens)
 - 4700TRM**
Shower Valve Trim (use when ordering L1-L7 and TC modifications, do not use hyphens or decimal points)
- Valve Options:**
-262 or 261 Series Temptrol® Shower Valve with TRM modifier
-162 or 161 Series Temptrol Shower Valve requires TC modifier

Options/Modifications

- REB** Rebuild trim kit, includes TA-10™ and TA-4
- STN** Satin Nickel finish
- TC** Test Cap Trim (includes TA-10™ & T-12A) *used with 161/162 Series Temptrol Shower Valve*
- L7** Less handle

Feature Highlights

- Allura Shower Valve Trim.
- Requires Temptrol Pressure-Balancing Shower Valve.
- Metal lever handle.
- Components shall be metal and nonmetal construction, plated in standard Polished Chrome finish.

Warranty

Limited Lifetime - residential installations.
10 Years - for commercial/industrial installations.
Refer to www.symmons.com/warranty for complete warranty information.



Compliance

-ASME® A112.18.1/CSA® B125.1
-Lever handle meets ADA requirements for operation



SKU Builder

Series	Rebuild	Finish	Modifier	TRM (required)	TC	Final SKU
4700-	REB	STN		TRM		4700-REB-STN-TRM
4700		MB	L7	TRM	TC	4700MBL7TRMTC

Notes: No more than two modifiers (L1-L7) permitted when ordering. Modifiers will list in numerical order.

Architectural/Engineering Specification

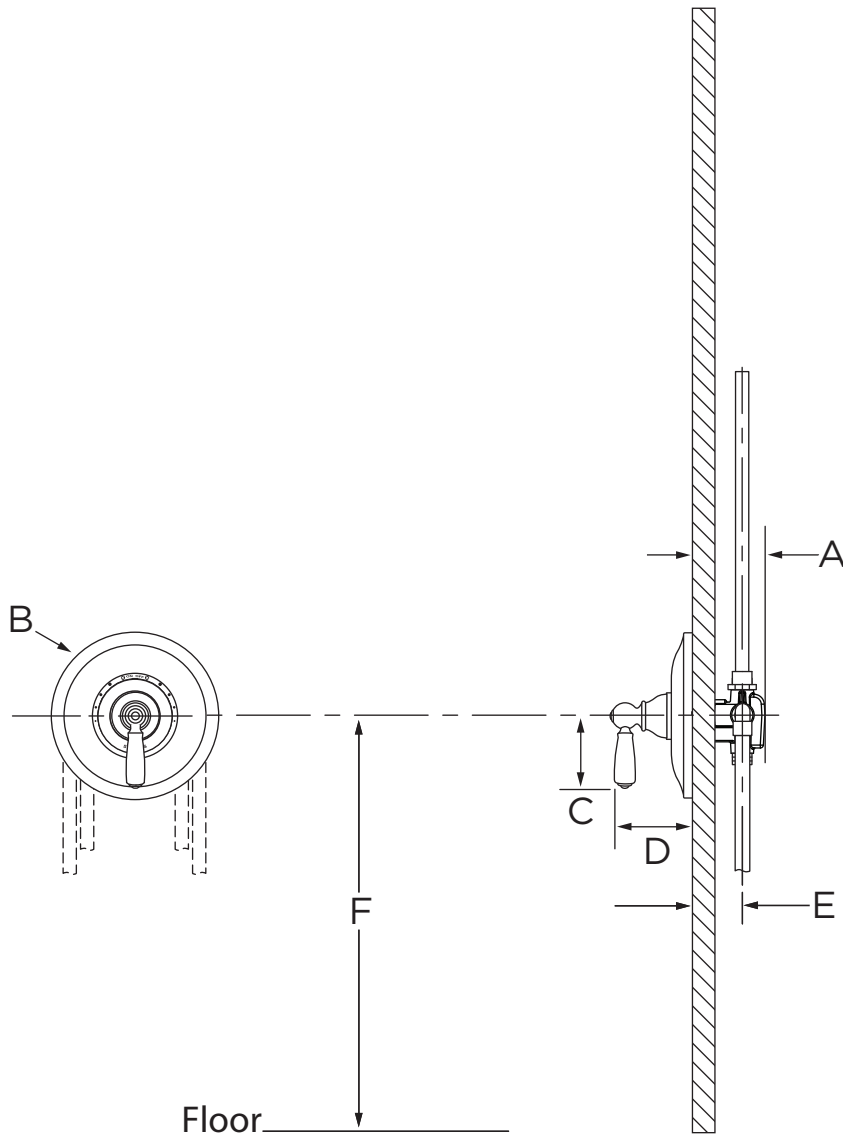
Symmons Allura _____ includes Allura Shower Valve Trim for Temptrol Pressure-Balancing Shower Valve. Features metal lever handle. Components shall be metal and nonmetal construction, plated in standard Polished Chrome finish. 10-Year Commercial Warranty. ASME ASME A112.18.1/CSA B125.1 compliant. Lever handle meets ADA requirements for operation. Available options include: L7 = Less Handle, REB = Rebuild trim kit, includes TA-10 and TA-4, STN = Satin Nickel finish, TC = Test Cap Trim.



SYMMONS Allura[®]

4700-TRM, 4700TRM

Dimensions



Measurements	
A	3-1/2", 89 mm
B	Ø 7", 178 mm
C	3-1/8", 79 mm
D	4", 102 mm
E	Rough-In 2-3/8" ± 1/2", 60 mm ± 13 mm
F	Ref. 42", mm

Notes:

- 1) Valve body and piping not included and shown as reference only.
- 2) Plaster shield (p/n T-176) for drywall, plaster, or other type walls 1/2" or greater.
- 3) All dimensions measured from nominal rough-in (see E as reference).
- 4) Dimensions subject to change without notice.