




Location:



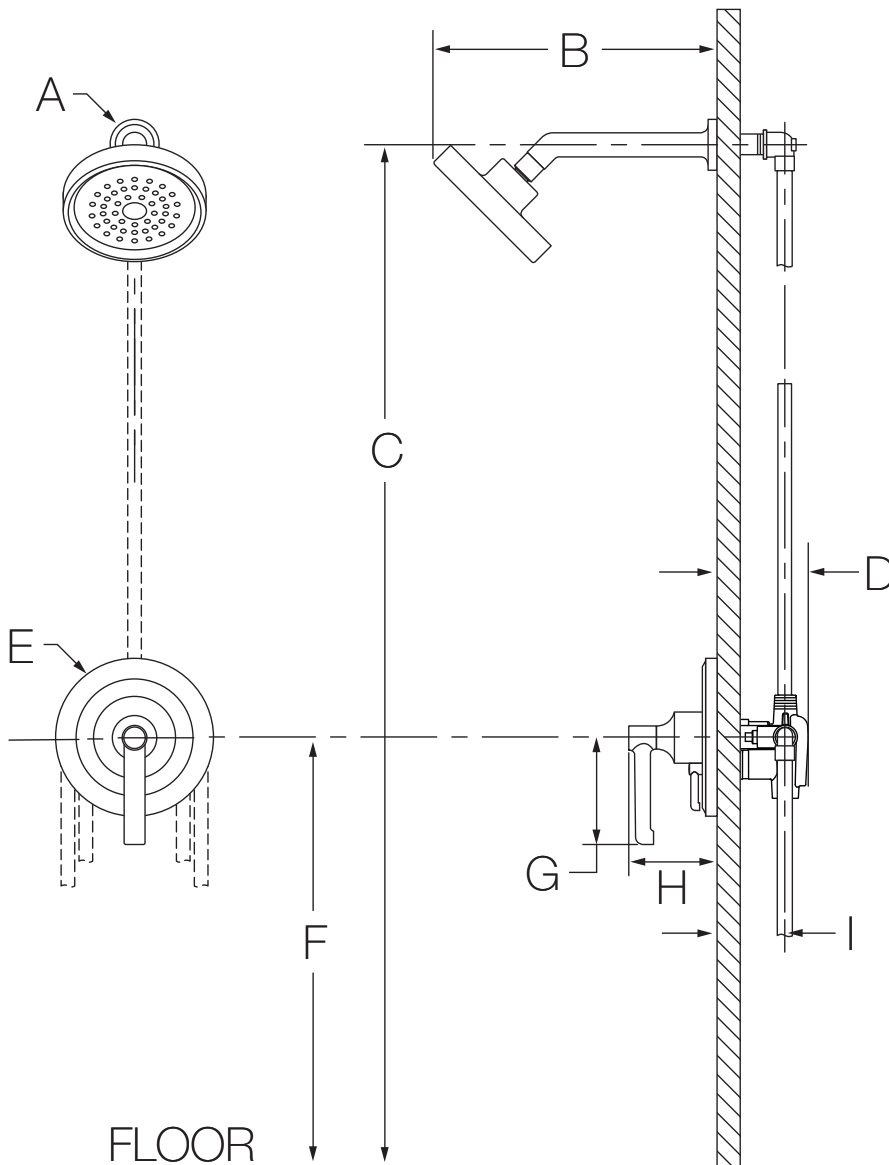
S-5301-TRM, S5301TRMTC
Shower Trim
Specification Submittal

Feature Highlights	Options/Modifications
<ul style="list-style-type: none"> • Museo Shower Trim • Requires Temptrol® Pressure Balancing Shower Valve • Integral volume control • Metal lever handle • 1 mode showerhead • 2.0 gpm (7.6 L/min) flow restrictor • Tub spout not included • Components shall be metal and nonmetallic construction, plated in standard Polished Chrome finish • Available with TA-10 flow control spindle and T-12A cap assembly for Temptrol valve bodies installed with Test Cap (order p/n S5301TRMTC) 	<ul style="list-style-type: none"> <input type="checkbox"/> -1.5  1.5 gpm (5.7 L/min) flow restrictor <input type="checkbox"/> -L1 Less showerhead <input type="checkbox"/> -STN Satin Nickel finish <input type="checkbox"/> -BLK Polished Graphite <p>Note: Append appropriate -suffix to model number.</p>
Model Numbers	<p>Compliance</p> <ul style="list-style-type: none"> • ASME A112.18.1/CSA B125.1 
<ul style="list-style-type: none"> <input type="checkbox"/> S-5301-TRM Shower Trim with integral volume control, Temptrol Pressure Balancing Shower Valve ordered separately <input type="checkbox"/> S5301TRMTC Shower Trim with integral volume control, TA-10 flow control spindle and T-12A cap assembly, must order Temptrol valve with Test Cap 	<p>Warranty</p> <p>Limited Lifetime - to the original end purchaser in consumer/residential installations.</p> <p>10 Years - for commercial/industrial installations. Refer to www.symmons.com/warranty for complete warranty information.</p> 

Architectural/ Engineering Specification

Symmons _____ With Museo Shower Trim, requires Temptrol® pressure balancing shower valve, Integral volume control, metal lever handle, 1 mode showerhead, 2.0 gpm (7.6 L/min) flow restrictor, Tub spout not included, components shall be metal and nonmetallic construction, plated in standard Polished Chrome finish, available with TA-10 flow control spindle and T-12A cap assembly for Temptrol valve bodies installed with Test Cap (order p/n 5401TRMTC). 10 Year commercial Warranty. ASME A112.18.1/CSA B125.1, Complaint. Available options include "1.5 - 1.5 gpm (5.7 L/min) flow restrictor", "L1 - Less showerhead", "STN - Satin nickel finish", "BLK - Polished Graphite" .

Dimensions



Measurements	
A	Ø 2", 51 mm
B	11-1/8", 283 mm
C	Ref. 77", 1956 mm
D	3-1/2", 89 mm
E	Ø 6-1/4", 159 mm
F	Ref. 42", 1067 mm
G	3-1/4", 83 mm
H	3-3/4", 95 mm
I	Rough-in 2-3/8" ± 1/2", 60 mm ± 13 mm

Notes:

- 1) Valve body and piping not included and shown as reference only.
- 2) Plaster shield (p/n T-176) for dry wall, plaster or other type walls 1/2" or greater.
- 3) All dimensions measured from nominal rough-in (see I as reference).
- 4) Dimensions subject to change without notice.