

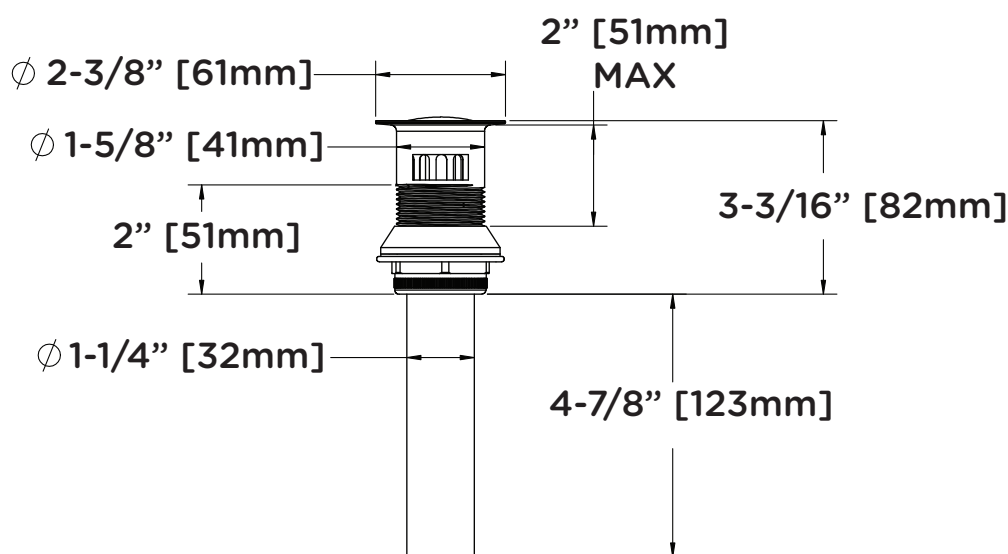
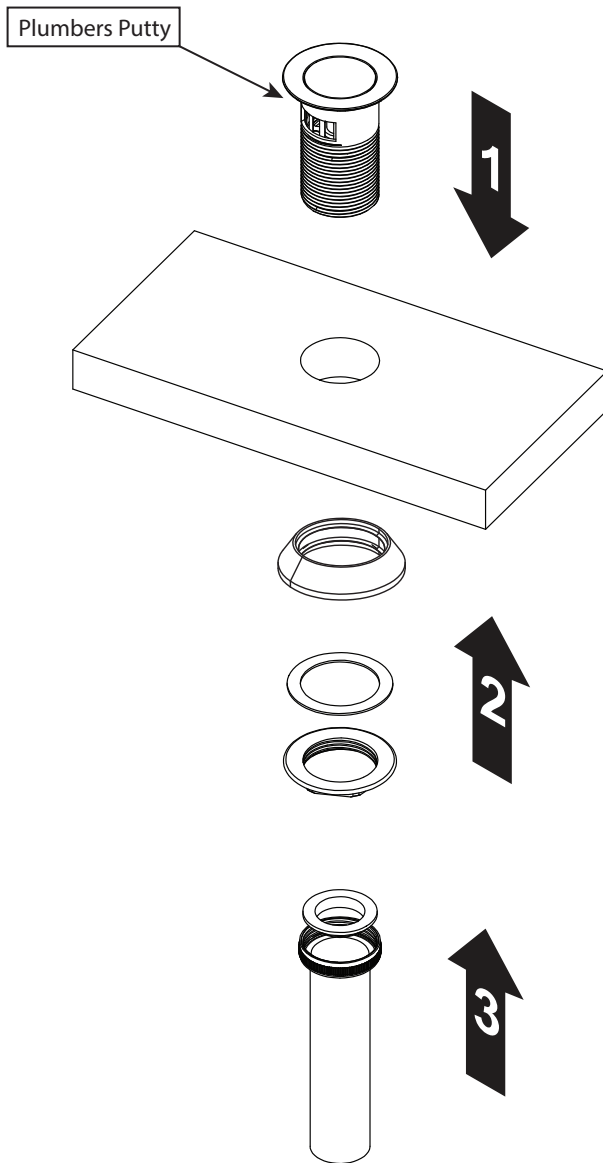



RL324
 PUSH-POP DRAIN ASSEMBLY
Operation and Maintenance Manual

Model Numbers	Feature Highlights
<input type="checkbox"/> RL324 PUSH POP DRAIN ASSEMBLY	<ul style="list-style-type: none"> PUSH POP DRAIN ASSEMBLY SHALL FEATURE OVERFLOW AND PUSH TO OPEN AND PUSH TO CLOSE DRAIN MECHANISM. PUSH POP DRAIN ASSEMBLY SHALL BE METAL CONSTRUCTION PLATED IN POLISHED CHROME FINISH.
Options/ Modifications <ul style="list-style-type: none"> <input type="checkbox"/> STN Satin Nickel finish <input type="checkbox"/> MB Matte Black finish <input type="checkbox"/> BBZ Brushed Bronze finish <p>Note: Append appropriate suffix to model number.</p>	
Compliance <p>- ASME A112.18.2-2020/CSA B125.2-20</p>  <p>⚠ WARNING: This product can expose you to chemicals including lead, which is known to the state of California to cause cancer, birth defects, or other reproductive harm. For more information, go to www.P65Warnings.ca.gov.</p>	Warranty <p>Limited Lifetime - for residential installations. 10 Years - for commercial/industrial installations. Refer to www.symmons.com/warranty for complete warranty information.</p> 

Dimensions





Replacement Parts		
Item	Description	Part Number
A	Push pop stopper	RL372
Required for Installation		
Plumber tape		
Plumber putty	