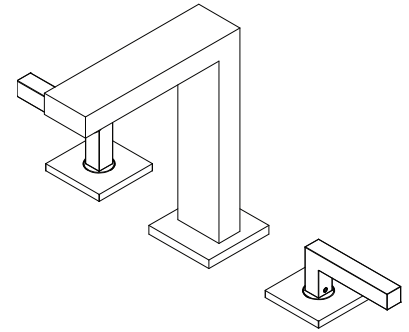






Location:



## Two Handle Widespread Lavatory Faucet Specification Submittal

<b>Model Numbers</b>	<b>Feature Highlights</b>
<input type="checkbox"/> <b>SLW3612PP</b> Two Handle Widespread Lavatory Faucet <input type="checkbox"/> <b>SLW3622PP</b> Two Handle Widespread Lavatory Faucet	<ul style="list-style-type: none"> <li>8" to 16" mount configuration</li> <li>Quarter turn ceramic cartridges</li> <li>3/8" inlet connections</li> <li>24" Braided supply hoses</li> <li>Metal drain assembly</li> <li>Standard 1.0 gpm (3.8 L/min) flow rate</li> <li>Faucet shall be metal construction, plated in standard polished chrome finish</li> </ul>
<b>Options/ Modifications</b>	
<input type="checkbox"/> <b>05</b> 0.5 gpm (1.89 L/min) Flow Restrictor <input type="checkbox"/> <b>STN</b> Satin Nickel Finish <input type="checkbox"/> <b>BBZ</b> Brushed Bronze Finish <input type="checkbox"/> <b>MB</b> Matte Black Finish	<b>Warranty</b> <p><b>Limited Lifetime</b> - to the original end purchaser in consumer/residential installations.  <b>10 Years</b> - for commercial/industrial installations. Refer to <a href="http://www.symmons.com/warranty">www.symmons.com/warranty</a> for complete warranty information.</p> 
<b>Compliance</b> <ul style="list-style-type: none"> <li>- ASME A112.18.1; CSA B125.1</li> <li>- NSF/ANSI/CAN 61: Q&lt;1, NSF/ANSI 372</li> <li>- WaterSense for 1.0 GPM Only</li> <li>- Lever handle meets ADA requirements</li> <li>- Push Pop meets ADA requirements for operation</li> </ul>   	

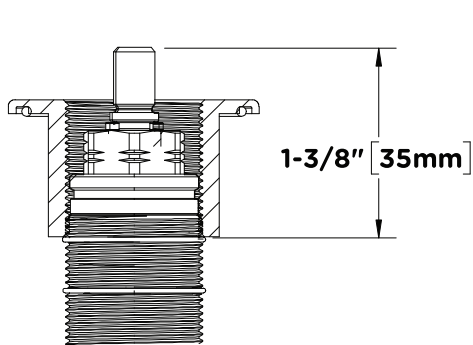
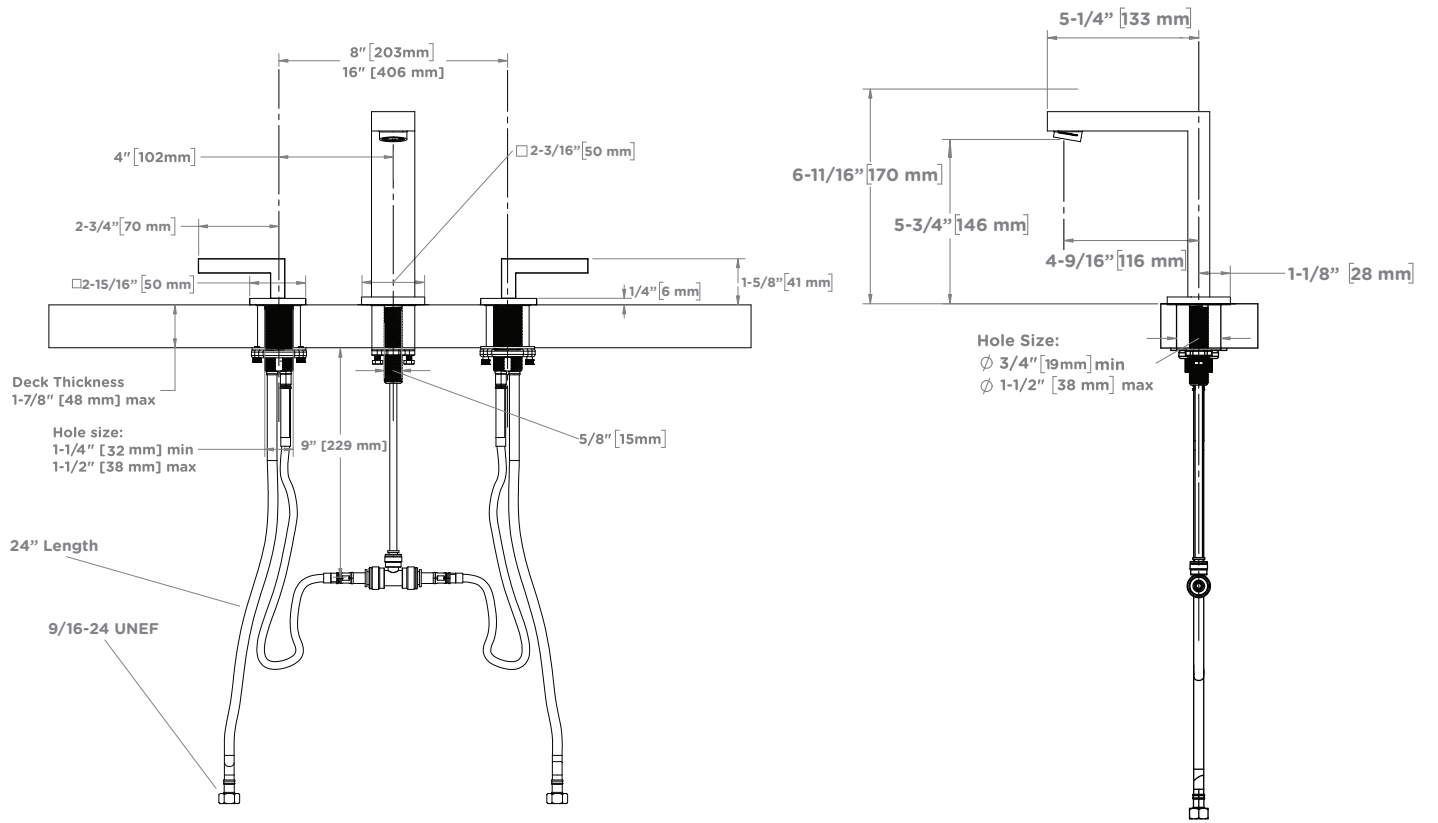
### SKU Builder

Type	Series	Finish	PP	Flow Rate	Final SKU
SLW	3612	STN	PP	05	SLW3612STNPP05
SLW	3622		PP		SLW3622PP

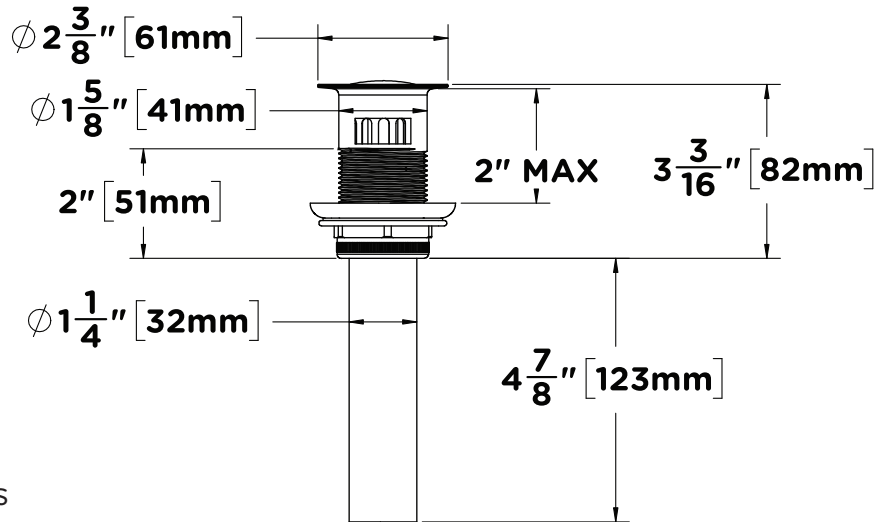
### Architectural/ Engineering Specification

Symmons \_\_\_\_\_ two handle widespread lavatory faucet. Includes 8" to 16" mount configuration with quarter turn ceramic cartridges, 3/8" inlet connections, 24" braided supply hoses, 1.0 gpm (3.8 L/min) flow restrictor, and metal construction plated in polish chrome finish. "10 Year Commercial Warranty". ASME A112.18.1; CSA B125.1, NSF/ANSI/CAN 61: Q<1, NSF/ANSI 372, and WaterSense compliant. Lever handle meets ADA requirements and push pop meets ADA requirements for operation. Available options include: "05 - 0.5 gpm (1.89 L/min) Flow Restrictor", "STN - Satin Nickel Finish", "BBZ - Brushed Bronze Finish", "MB - Matte Black Finish".

# Dimensions



**Note:**  
Flange to be set to 1-3/8"



## SLW3622PP Spout Dimensions

