

72SH-RP Showerhead Installation Guide

Location:

Feature Highlights

- Single mode showerhead with 1.75 gpm (6.6 L/min) flow restrictor made from plastic materials plated in standard polished chrome finish.

Options/Modifications

- STN** Satin Nickel finish

Model Numbers

- 72SH-RP**
Single Mode Showerhead

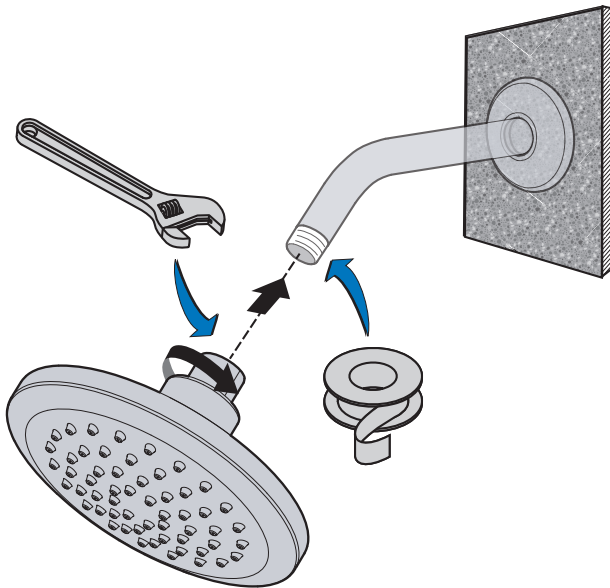
Compliance

- ASME A112.18.1/CSA B125.1
- WaterSense 1.75 gpm (6.6 L/min), MAX at 80 PSI



Installation

Apply Teflon tape to existing shower arm before attaching showerhead using adjustable wrench.



Warranty

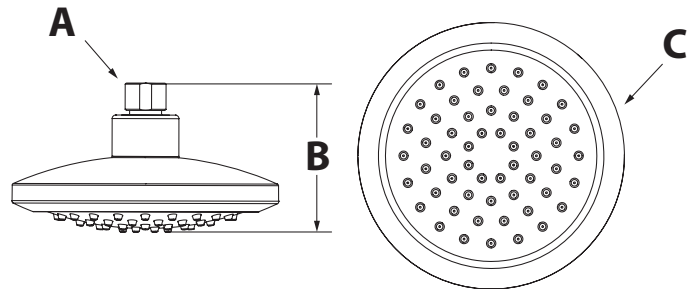
Limited Lifetime - to the original end purchaser in consumer/residential installations.

10 Years - for commercial/industrial installations. Refer to www.symmons.com/warranty for complete warranty information.



Dimensions

Measurements / Medidas / Mesures	
A	1/2" NPSM / NPSM de 1/2 po
B	3 3/16", 81 mm / 3 3/16 po, 81 mm
C	Ø 5 7/8", 149 mm / 5 7/8 po, 149 mm



Note: Dimensions are subject to change without notice.

WARNING: This product can expose you to chemicals including lead, which is known to the state of California to cause cancer, birth defects, or other reproductive harm. For more information, go to www.P65Warnings.ca.gov.