

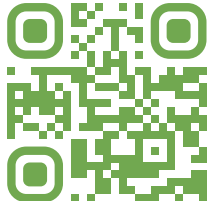




H35  
Grab Bar/Slide Bar Assembly  
**Specification Submittal**

Location:

<p><b>Model Numbers</b></p>	<p><b>Feature Highlights</b></p>
<p><input type="checkbox"/> <b>H35</b>                      Grab Bar/Slide Bar Assembly</p>	<ul style="list-style-type: none"> <li>• Bar supports up to 250 lbs.</li> <li>• 1-1/2" diameter bar.</li> <li>• ADA adjustable slide mechanism.</li> <li>• 60" flexible metal hose.</li> <li>• Single-Mode ADA hand shower wand (p/n ADACHS) with non-positive shut off.</li> <li>• Dual checks for back flow protection.</li> <li>• 2.0 gpm (7.6 L/min) flow restrictor.</li> <li>• Components shall be metal and nonmetallic construction, plated in standard Polished Chrome finish.</li> </ul>
<p><b>Options/ Modifications</b></p> <p><input type="checkbox"/> <b>15</b>                      <b>1.5 gpm (5.7 L/min) flow restrictor</b></p> <p><input type="checkbox"/> <b>MB</b>                      <b>Matte Black Finish</b></p> <p><input type="checkbox"/> <b>L2</b>                      <b>Less hand shower (wand only)</b></p> <p><input type="checkbox"/> <b>STN</b>                      <b>Satin Nickel finish</b></p> <p><input type="checkbox"/> <b>24</b>                      <b>24" slide/grab bar</b></p> <p><input type="checkbox"/> <b>36</b>                      <b>36" slide/grab bar</b></p>	
<p><b>Note:</b> Append appropriate suffix to model number.</p>	
<p><b>Compliance</b></p> <ul style="list-style-type: none"> <li>• ASME A112.18.1/CSA B125.1.</li> <li>• Meets ADA requirements for operation.</li> </ul>  	<p><b>Warranty</b></p> <p><b>Limited Lifetime</b> - to the original end purchaser in consumer/residential installations.</p> <p><b>10 Years</b> - for commercial/industrial installations. Refer to <a href="http://www.symmons.com/warranty">www.symmons.com/warranty</a> for complete warranty information.</p> 

**SKU Builder**

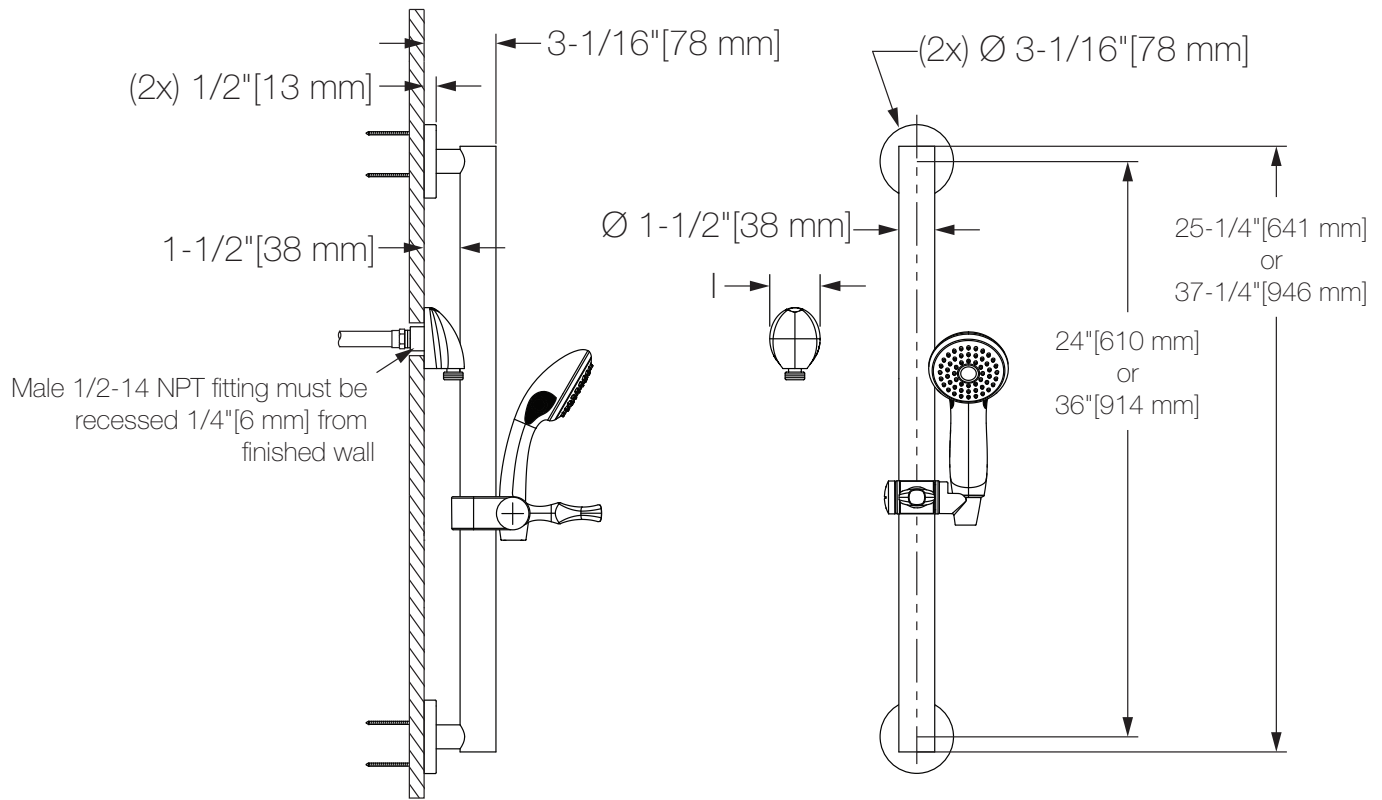
Series	Length (Required)	Finish	Modifier	Flow Rate	Final SKU
H35	24	STN		15	H3524STN15
H35	36	MB	L2		H3536MBL2

**Notes:** No more than two modifiers (L1-L7) permitted when ordering. Modifiers will list in numerical order.

**Architectural/ Engineering Specification**

Symmons Grab Bar and Slide Bar Assembly \_\_\_\_\_ Includes bar supports up to 250 lbs, 1-1/2" diameter bar, ADA adjustable slide mechanism, 60" flexible metal hose, single-mode ADA hand shower wand (p/n ADACHS) with non-positive shut off, dual checks for back flow protection, 2.0 gpm (7.6 L/min) flow restrictor. Components shall be metal and nonmetallic construction, plated in standard Polished Chrome finish. 10 Year Commercial Warranty. ASME A112.18.1/CSA B125.1 compliant. Meets ADA requirements for operation. Available options: 15 = 1.5 gpm (5.7 L/min) flow restrictor, MB = Matte Black Finish, L2 = Less hand shower (wand only), STN = Satin Nickel finish, 24 = 24 in. slide/grab bar, 36 = 36 in. slide/grab bar.

## Dimensions



### Notes:

- 1) All dimensions measured from nominal rough-in.
- 2) Dimensions subject to change without notice.