

Location:



Thermostatic Mixing Valve and Piping, A Series Specification Submittal

Feature Highlights

- TempControl thermostatic controller
 - ▷ Check stops
 - ▷ Removable/replaceable cartridge
 - ▷ Stainless steel piston
 - ▷ Thermal motor with Turbulator™
- Volume control shut-off valve
- Bimetal dial thermometer
 - ▷ Range 20°-240°F (-7°- 116°C)
 - ▷ 3 inch (76 mm) face
- Standard brass pipes, fittings and unions
- Standard rough bronze finish
- **TempControl valves are certified to:**
 - ▷ ASME A112.18.1/CSA B125.1
 - ▷ CSA B125.3
 - ▷ ASSE 1017
 - ▷ CA 116875 (AB 1953)
 - ▷ NSF 372
 - ▷ US S.3874

Model Numbers

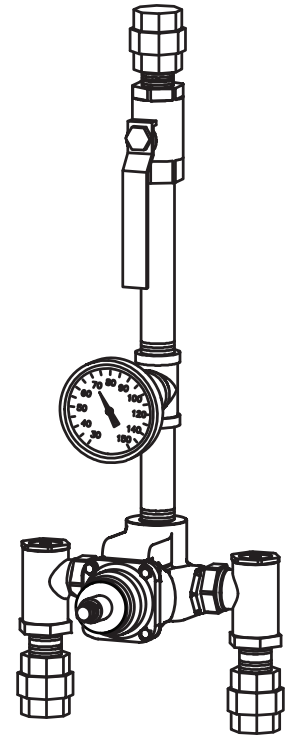
Models	----- Pipe sizes -----	
	Inlets	Outlets
<input type="checkbox"/> 7-900A*	1 1/2" (38mm)	1 1/2" (38mm)
<input type="checkbox"/> 7-1000A*	1 1/2" (38mm)	2" (51mm)
<input type="checkbox"/> 7-200A*	3/4" (19mm)	3/4" (19mm)

*The 7 Series model numbers above replace the 6 Series.

Warranty

Limited Lifetime - to the original end purchaser in consumer/residential installations.

10 Years - for commercial/industrial installations. Refer to www.symmons.com/warranty for complete warranty information.



Options / Modifications

Append appropriate -suffix to model number

- ASB Factory assembled and tested (with type L copper tubing)
- V Vacuum breaker (not shown)
- W Wall mounting bracket

Note: Standard valve and piping finish is rough bronze, brass or copper. Factory assembled and tested units are available in rough bronze, satin spray and satin spray with polished highlight finish with type L copper tubing.

Finish Options / Modifications

Append appropriate -suffix to model number

- NI Rough nickel finish
- P Valves and piping with a polished chrome highlight finish

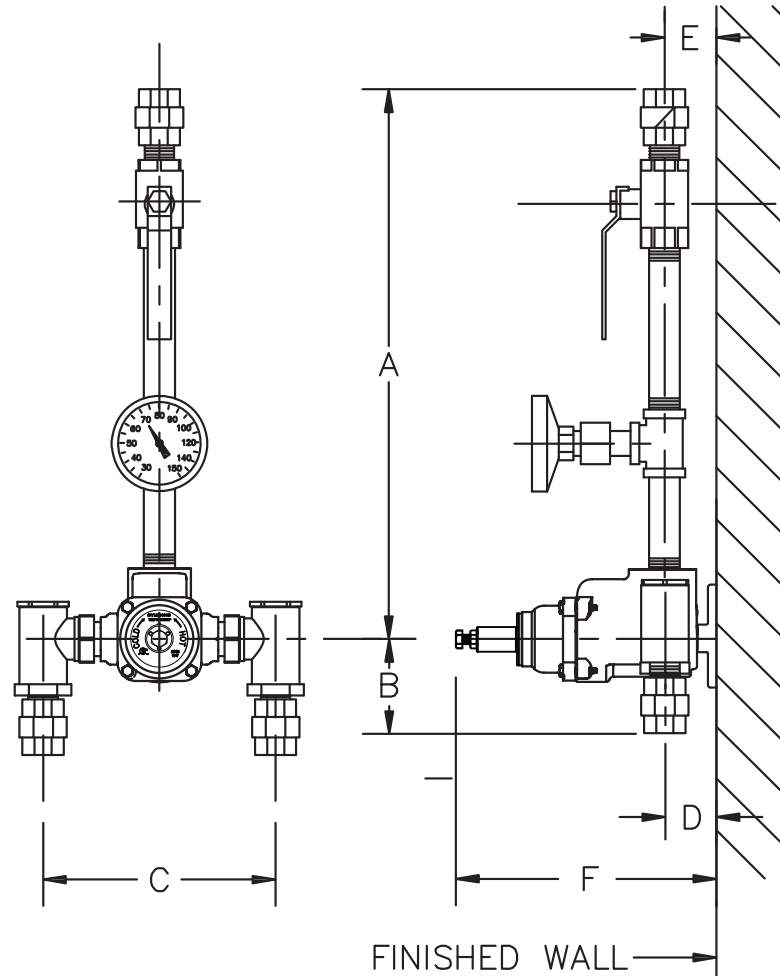
Note: Finish options cannot be used in conjunction with suffix ASB.

Compliance

- Buy American Act Compliant



Dimensions TempControl Mixing Valve, 7-900A and 7-1000A



Physical Dimensions

Model No.	A	B	C	D	E	F
7-900A	22 3/4" (578mm)	2 11/16" (68mm)	11 1/2" (296mm)	2 9/16" (65mm)	2 9/16" (65mm)	11 3/8" (289mm)
7-1000A	22 3/4" (578mm)	2 11/16" (68mm)	11 1/2" (296mm)	2 9/16" (65mm)	2 9/16" (65mm)	11 3/8" (289mm)

Flow Rate - gpm (L/min)

Valve Model	Min. Flow Rate*	Min. Flow Rate (per ASSE 1017)	Pressure Differential - psi (kPa)					
			5 psi (34 kPa)	10 psi (69 kPa)	20 psi (138 kPa)	25 psi (172 kPa)	30 psi (207 kPa)	45 psi (310 kPa)
7-900A	0.5 gpm (1.9 L/min)	13 gpm (49 L/min)	30 gpm (114 L/min)	55 gpm (209 L/min)	76 gpm (288 L/min)	84 gpm (318 L/min)	89 gpm (337 L/min)	104 gpm (394 L/min)
7-1000A	0.5 gpm (1.9 L/min)	13 gpm (49 L/min)	38 gpm (144 L/min)	67 gpm (254 L/min)	100 gpm (379 L/min)	111 gpm (421 L/min)	120 gpm (455 L/min)	140 gpm (531 L/min)
7-200A	0.5 gpm (1.9 L/min)	5 gpm (19 L/min)	7 gpm (27 L/min)	12 gpm (46 L/min)	18 gpm (68 L/min)	21 gpm (80 L/min)	23 gpm (87 L/min)	27 gpm (102 L/min)

*Minimum flow rate when valve is installed at or near the hot water source with recirculated tempered water and continuously operating circulating pump.

Dimensions TempControl Mixing Valve, 7-200A

