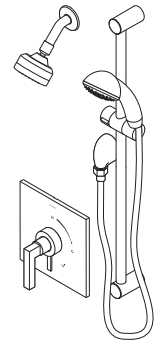








SYMMONS® Duro®

Location:



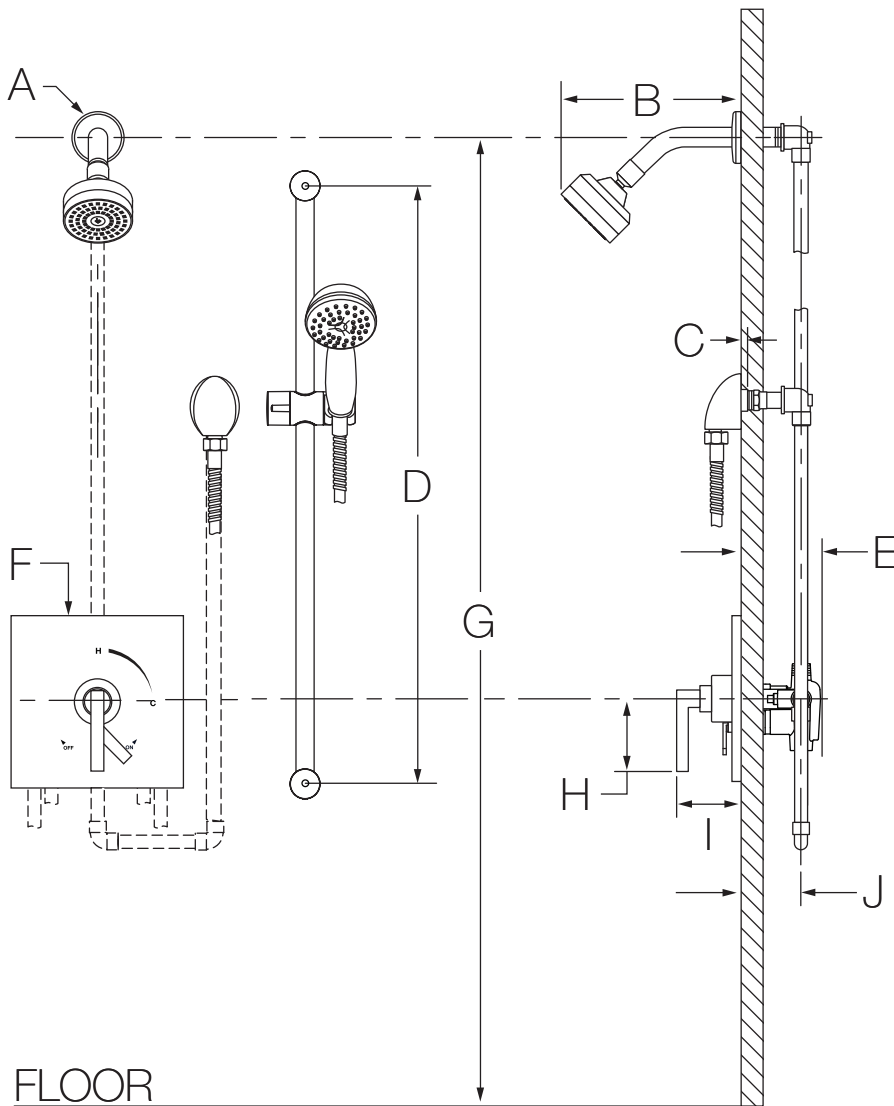
S3608TRM, S3608TRMTC
Shower/Hand Shower Trim
Specification Submittal

Model Numbers	Feature Highlights
<p><input type="checkbox"/> S3608TRM Shower/Hand Shower Trim with integral diverter control, Temptrol Pressure Balancing Tub/Shower Valve ordered separately</p> <p><input type="checkbox"/> S3608TRMTC Shower/Hand Shower Trim with integral diverter control, TA-10 flow control spindle and T-12A cap assembly, must order Temptrol valve with Test Cap</p>	<ul style="list-style-type: none"> • Duro Shower/Hand Shower Trim • Requires Temptrol® Pressure Balancing Tub/Shower Valve • Integral diverter control • Metal lever handle • 30" slide bar for hand shower wand • Dual checks for backflow protection • 60" flexible metal hose • 1 mode hand shower wand • 1 mode showerhead • 2.0 gpm (7.6 L/min) flow restrictors • Tub spout not included • Components shall be metal and nonmetallic construction, plated in standard Polished Chrome finish • Available with TA-10 flow control spindle and T-12A cap assembly for Temptrol valve bodies installed with Test Cap (order p/n S3608TRMTC) • For optional in-line vacuum breaker order p/n EF-109
Options/ Modifications	Compliance
<p><input type="checkbox"/> 1.5  1.5 gpm (5.7 L/min) flow restrictor</p> <p><input type="checkbox"/> STN Satin Nickel finish</p> <p><input type="checkbox"/> MB Matte Black finish</p> <p><input type="checkbox"/> BBZ Brushed Bronze finish</p> <p><input type="checkbox"/> L1 Less showerhead</p> <p><input type="checkbox"/> L2 Less hand shower wand</p> <p><input type="checkbox"/> L3 Less showerhead & hand shower (head and wand only)</p> <p><input type="checkbox"/> L4 Less head, arm and flange</p> <p><input type="checkbox"/> L5 Less hand shower system</p> <p><input type="checkbox"/> L7 Less handle</p> <p>Note: Append appropriate -suffix to model number.</p>	<p>- ASME A112.18.1/CSA B125.1</p> <p>- WaterSense 1.5 gpm (5.7 L/min) 2.0 gpm (7.6 L/min)</p>  
	Warranty
	<p>Limited Lifetime - to the original end purchaser in consumer/residential installations.</p> <p>10 Years - for commercial/industrial installations. Refer to www.symmons.com/warranty for complete warranty information.</p> 

Architectural/ Engineering Specification

Symmons Duro Shower and Hand Shower Trim _____ Includes Duro Shower and Hand Shower Trim, Requires Temptrol® Pressure Balancing Tub and Shower Valve, Integral diverter control, Metal lever handle, 30" slide bar for hand shower wand, Dual checks for backflow protection, 60" flexible metal hose, 1 mode hand shower wand, 1 mode showerhead, 2.0 gpm (7.6 L/min) flow restrictors, Tub spout not included, Components shall be metal and nonmetallic construction, plated in standard Polished Chrome finish, Available with TA-10 flow control spindle and T-12A cap assembly for Temptrol valve bodies installed with Test Cap (order p/n S3608TRMTC), For optional in-line vacuum breaker order p/n EF-109. 10 Year Commercial Warranty. ASME A112.18.1/CSA B125.1, WaterSense 1.5 gpm (5.7 L/min), 2.0 gpm (7.6 L/min) compliant. Available options: "1.5 - 1.5 gpm (5.7 L/min) flow restrictor", "STN - Satin Nickel finish", "MB - Matte Black finish", "BBZ - Brushed Bronze finish", "L1 - Less showerhead", "L2 - Less hand shower wand", "L3 - Less showerhead & hand shower (head and wand only)", "L4 - Less head, arm and flange", "L5 - Less hand shower system", "L7 - Less handle".

Dimensions



Measurements	
A	Ø 2-1/2", 64 mm
B	6", 152 mm
C	Male 1/2" IPS fitting must be recessed 1/4" (6 mm) from finished wall
D	28-9/16", 725 mm
E	3-1/2", 89 mm
F	Sq. 7-1/2", 191 mm
G	Ref. 77", 1956 mm
H	3-1/8", 79 mm
I	3-1/2", 89 mm
J	Rough-in 2-3/8" ± 1/2", 60 mm ± 13 mm

Notes:

- 1) Valve body and piping not included and shown as reference only.
- 2) Plaster shield (p/n T-176) for dry wall, plaster or other type walls 1/2" or greater.
- 3) All dimensions measured from nominal rough-in (see J as reference).
- 4) Dimensions subject to change without notice.