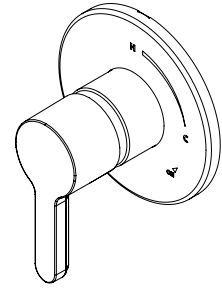




SYMMONS® Solarity®



33DIVTRM
Diverter Valve Trim
Specification Submittal

Location:

Model Numbers

- 33DIVTRM**
Diverter Valve Trim

Options/Modifications

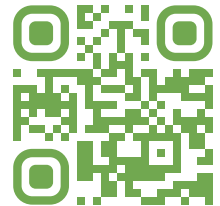
- MB** Matte Black finish
- STN** Satin Nickel finish

Feature Highlights

- Screwless Escutcheon.
- Components shall be metal and nonmetallic construction, plated in standard Polished Chrome finish.

Warranty

Limited Lifetime - for residential installations.
10 Years - for commercial/industrial installations.
 Refer to www.symmons.com/warranty for complete warranty information.



Compliance

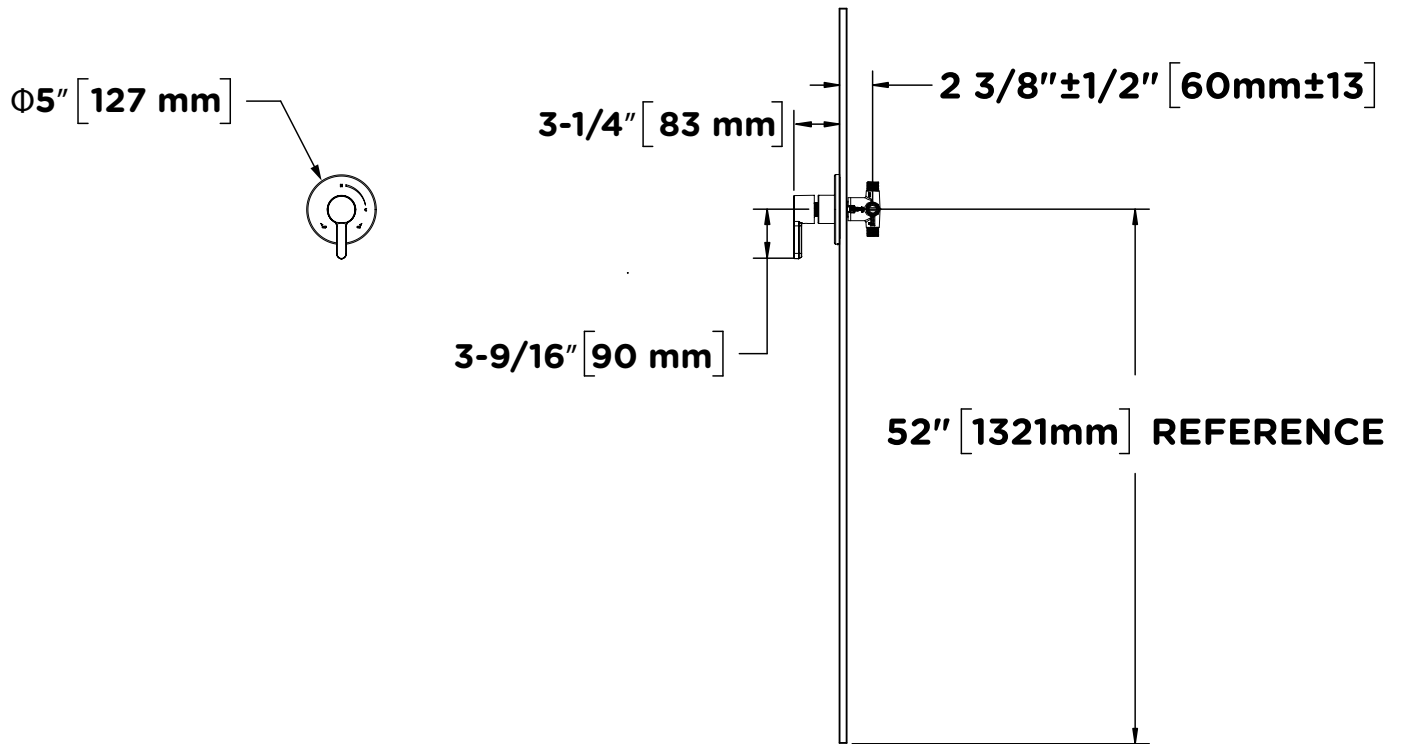
- ASME A112.18.1/CSA B125.1.
- Lever handle meets ADA requirements.



Architectural/Engineering Specification

Symmons _____ Diverter Valve Trim includes screwless escutcheon with metal and nonmetallic construction, and polished chrome standard finish. 10-Year Commercial Warranty. ASME A112.18.1/CSA B125.1 compliant and lever handle meets ADA requirements. Available options: STN = Satin Nickel finish, and MB = Matte Black finish.

Dimensions



Notes:

- 1) Valve body and piping not included and shown as reference only.
- 2) Plaster shield (p/n T-176) for dry wall, plaster or other type walls 1/2" or greater.
- 3) All dimensions measured from nominal rough-in (see I as reference).
- 4) Dimensions subject to change without notice.