




Location:



5501-TRM, 5501TRMTC, 5501TRM Shower Trim Specification Submittal



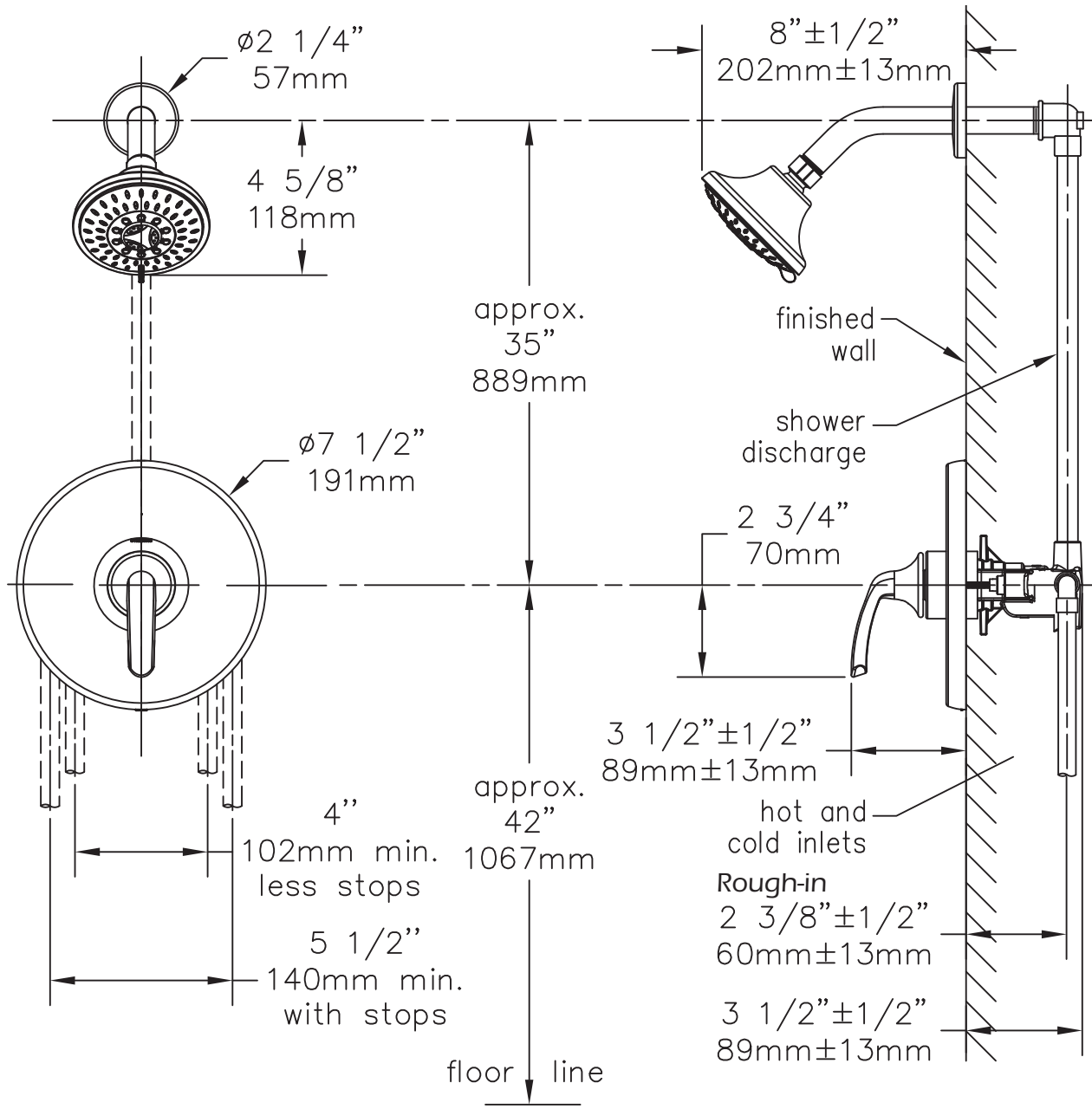
Feature Highlights	Options/Modifications
<ul style="list-style-type: none"> • Elm Shower Trim • Requires Temptrol® Pressure Balancing Shower Valve • Metal lever handle • 5 mode showerhead • 2.0 gpm (7.6 L/min) flow restrictor • Tub spout not included • Components shall be metal and nonmetallic construction, plated in standard Polished Chrome finish • Available with TA-10 flow control spindle and T-12A cap assembly for Temptrol valve bodies installed with Test Cap (order p/n 5501TRMTC) 	<ul style="list-style-type: none"> <input type="checkbox"/> -1.5  1.5 gpm (5.7 L/min) flow restrictor <input type="checkbox"/> L1 Less showerhead <input type="checkbox"/> L7 Less handle <input type="checkbox"/> -STN Satin Nickel finish <input type="checkbox"/> -SBZ Seasoned Bronze Finish <input type="checkbox"/> -MB Matte Black Finish <input type="checkbox"/> -BBZ Brush Bronze Finish <p>Note: Append appropriate -suffix to model number.</p>
Model Numbers	Warranty
<ul style="list-style-type: none"> <input type="checkbox"/> 5501-TRM Shower Trim, Temptrol Pressure Balancing Shower Valve ordered separately <input type="checkbox"/> 5501TRMTC Shower Trim with TA-10 flow control spindle and T-12A cap assembly, must order Temptrol valve with Test Cap <input type="checkbox"/> 5501TRM Shower Trim, Temptrol Pressure Balancing Shower Valve ordered separately <p>Note: -Append appropriate -suffix to model number. -When ordering L1-L7 modifiers, remove hyphens from model number.</p>	<p>Limited Lifetime - to the original end purchaser in consumer/residential installations. 10 Years - for commercial/industrial installations. Refer to www.symmons.com/warranty for complete warranty information.</p> 
Compliance	
<ul style="list-style-type: none"> • ASME A112.18.1/CSA B125.1 	

Architectural/ Engineering Specification

Symmons Shower Trim _____ With Elm Shower Trim, requires Temptrol® pressure balancing shower valve, metal lever handle, 5 mode showerhead, 2.0 gpm (7.6 L/min) flow restrictor, Tub spout not included, components shall be metal and nonmetallic construction, plated in standard Polished Chrome finish, available with TA-10 flow control spindle and T-12A cap assembly for Temptrol valve bodies installed with Test Cap (order p/n 5501TRMTC). 10 Year commercial Warranty. ASME A112.18.1/CSA B125.1, Complaint. Available options include "-1.5 - 1.5 gpm (5.7 L/min) flow restrictor", "L1 - Less showerhead", "L7 - Less Handle", "-STN - Satin nickel finish", "-SBZ - Seasoned Bronze Finish", "-MB - Matte Black Finish", "-BBZ - Brush Bronze Finish".

5501-TRM, 5501TRMTC, 5501TRM

Dimensions



Notes:

- 1) Valve body and piping not included and shown as reference only.
- 2) Plaster shield (p/n T-176) for dry wall, plaster or other type walls 1/2" or greater.
- 3) All dimensions measured from nominal rough-in.
- 4) Dimensions subject to change without notice.