




S254LWG  
Widespread Lavatory Faucet  
**Specification Submittal**

Location:

<b>Model Numbers</b>	<b>Feature Highlights</b>
<input type="checkbox"/> <b>S254LWG</b> Widespread Lavatory Faucet	<ul style="list-style-type: none"> <li>• 8" to 16" mount configuration.</li> <li>• 11-15/16" height rigid/swivel spout.</li> <li>• Quarter-turn ceramic cartridges.</li> <li>• 3/8" inlet connections.</li> <li>• 24" braided supply hoses.</li> <li>• Standard 1.0 gpm (3.8 L/min) flow rate.</li> <li>• Faucet shall be metal construction, plated in standard Polished Chrome finish.</li> </ul>
<b>Options/Modifications</b>	
<input type="checkbox"/> <b>05</b> 0.5 gpm (1.89 L/min) Flow Restrictor	
<b>Compliance</b>	<b>Warranty</b>
<ul style="list-style-type: none"> <li>- ASME® A112.18.1; CSA® B125.1</li> <li>- NSF/ANSI/CAN 61: Q&lt;1, NSF/ANSI 372</li> <li>- Lever handles meet ADA requirements</li> </ul>  	<ul style="list-style-type: none"> <li><b>Limited Lifetime</b> - for residential installations.</li> <li><b>10 Years</b> - for commercial/industrial installations.</li> </ul> <p>Refer to <a href="http://www.symmons.com/warranty">www.symmons.com/warranty</a> for complete warranty information.</p> 

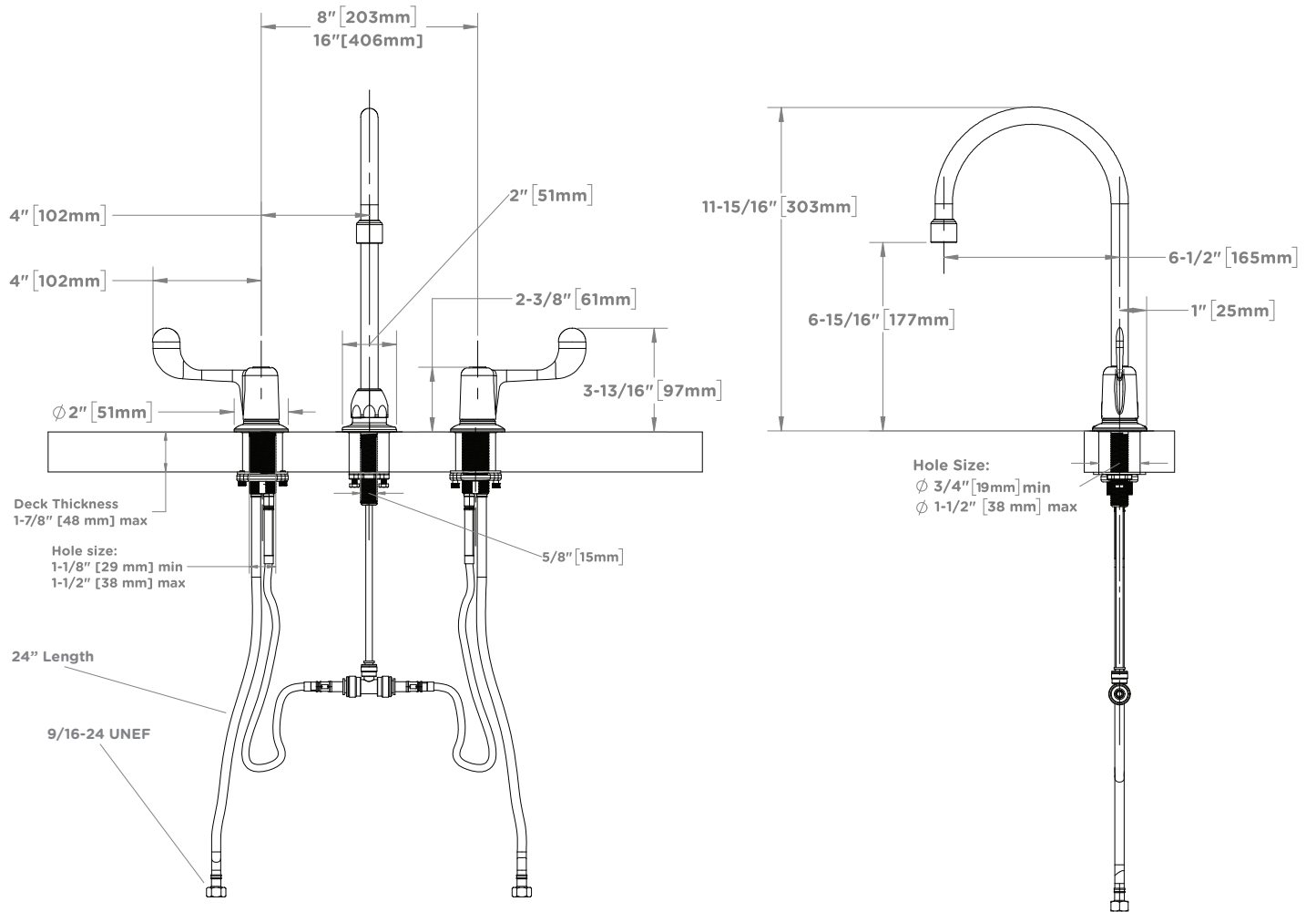
**SKU Builder**

Series	Flow Rate	Final SKU
S254LWG	05	S254LWG05

**Architectural/Engineering Specification**

Symmons Origins \_\_\_\_\_ Two-Handle Widespread Lavatory Faucet. Features 8" to 16" mount configuration with quarter-turn ceramic cartridges, 11-15/16" height rigid/swivel spout, 3/8" inlet connections, 24" braided supply hoses, 1.0 gpm (3.8 L/min) flow restrictor, and metal construction plated in Polished Chrome finish. 10-Year Commercial Warranty. ASME A112.18.1; CSA B125.1, and NSF/ANSI 372 compliant. Lever handles meet ADA requirements for operation. Available options include: 05 = 0.5 gpm (1.89 L/min) Flow Restrictor.

# Dimensions



**Note:**  
 Flange to be set to 1-3/4"