




6792TRM  
Tub/Shower Trim  
**Specification Submittal**

Location:

**Model Numbers**

- 6792TRM**  
Tub/Shower Trim
- Valve Options:**  
-262 Series Temptrol® Shower Valve with TRM modifier  
-162 Series Temptrol Shower Valve requires TC modifier

**Options/Modifications**

- 15**  1.5 gpm (5.7 L/min) flow restrictor
- L1** Less showerhead
- L4** Less head, arm, and flange
- L7** Less handle
- TC** Test Cap Trim (includes TA-10™ & T-12A) *used with series 162 Series Temptrol Shower Valve*
- BBZ** Brushed Bronze finish
- MB** Matte Black finish
- STN** Satin Nickel finish

**Feature Highlights**

- Identity Tub/Shower Trim.
- Requires Temptrol® Pressure-Balancing Shower Valve.
- Metal lever handle.
- 5-1/2" diverter tub spout.
- Single-mode HydroMersion™ showerhead.
- Standard 2.0 gpm (7.6 L/min) flow restrictor.
- Components shall be metal and nonmetal construction, plated in standard Polished Chrome finish.

**Warranty**

**Limited Lifetime** - for residential installations.  
**10 Years** - for commercial/industrial installations.  
Refer to [www.symmons.com/warranty](http://www.symmons.com/warranty) for complete warranty information.



**Compliance**

- ASME® A112.18.1/CSA® B125.1
- WaterSense® 1.5 gpm (5.7 L/min) 2.0 gpm (7.6 L/min)
- Lever handle meets ADA requirements for operation.



**SKU Builder**

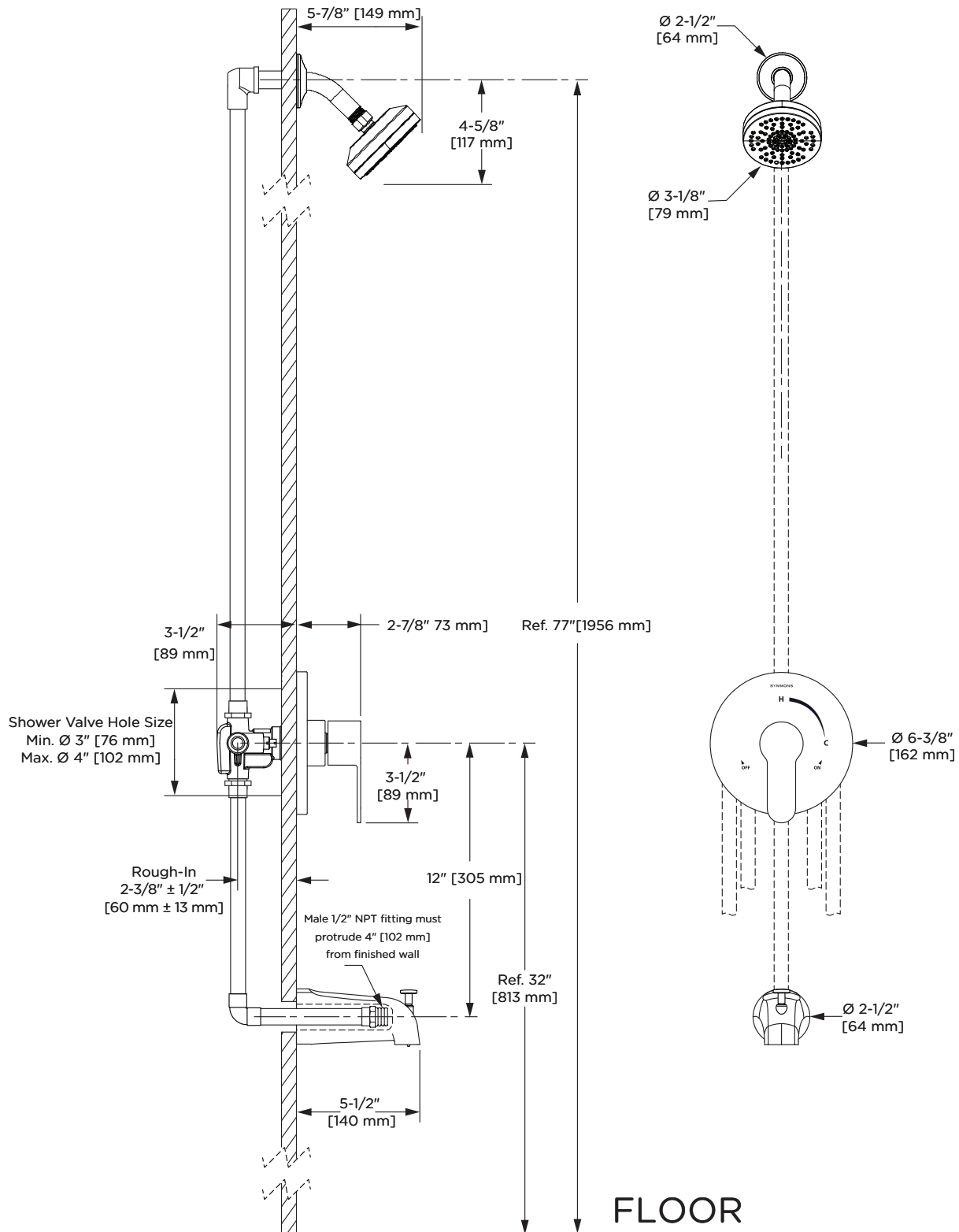
Series	Finish	Modifier	Flow Rate	TRM (required)	TC	Final SKU
6792	STN		15	TRM		6792STN15TRM
6792	MB	L2		TRM	TC	6792MBL2TRMTC

**Notes:** No more than two modifiers (L1-L7) permitted when ordering. Modifiers will list in numerical order.

**Architectural/Engineering Specification**

Symmons Identity Tub and Shower Trim \_\_\_\_\_ with Identity Tub/Shower Trim for Temptrol Pressure-Balancing Shower Valve. Features metal lever handle, 5-1/2" diverter tub spout, single-mode HydroMersion showerhead, and standard 2.0 gpm (7.6 L/min) flow restrictor. Components shall be metal and nonmetal construction, plated in standard Polished Chrome finish. 10-Year Commercial Warranty. ASME A112.18.1/CSA B125.1, WaterSense 1.5 gpm (5.7 L/min) 2.0 gpm (7.6 L/min) compliant. Lever handle meets ADA requirements for operation. Available options include: 15 = 1.5 gpm (5.7 L/min) flow restrictor, L1 = Less showerhead, L4 = Less head, arm, and flange, L7 = Less handle, TC = Test Cap Trim, BBZ = Brushed Bronze finish, MB = Matte Black finish, and STN = Satin Nickel finish.

# Dimensions



**Notes:**

- 1) Valve body and piping not included and shown as reference only.
- 2) Plaster shield (p/n T-176) for drywall, plaster, or other type walls 1/2" or greater.
- 3) All dimensions measured from nominal rough-in.
- 4) Dimensions subject to change without notice.