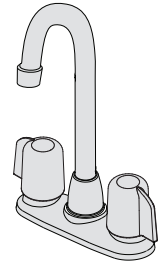


Location:




SYMMONS

Symmetrix





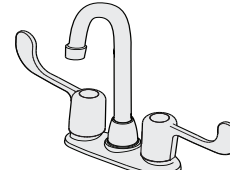



Two handle Bar Sink Faucet, S245 Series Specification Submittal

S245 with standard handles

<p>Feature Highlights</p> <ul style="list-style-type: none"> ▪ Bar sink faucet, blade handles with red-blue indicators for hot-cold ▪ Quarter turn ceramic control components ▪ Standard spout size 3-1/2" x 9-1/8", configure as swivel or rigid 	<ul style="list-style-type: none"> ▪ 1/2 inch IPS shanks, 4 inch centers, metal construction ▪ Standard 1.5 gpm (5.7 L/min) flow rate ▪ Polished chrome finish 	<p>Standards / Certifications</p> <p>ASME A112.18.1/CSA B125.1 NSF/ANSI/CAN 61: Q<1, NSF/ANSI 372 WaterSense: 1.5 gpm (5.7 L/min)</p> 
---	---	---

S245 series handle options

LAM	LPO	LWG
 <p> ADA compliant lever handles</p>	 <p> ADA compliant lever handles</p>	 <p> ADA compliant lever handles</p>

Model Numbers

Append appropriate -suffix to model number.

- S245 Faucet only with standard spout, standard handles and chrome finish

Handle Options / Modifications

Append appropriate -suffix to model number.

- LAM Lever handle with metal finish, metal insert and red & blue indicators
- LPO Lever handle with metal finish, white insert and red & blue indicators
- LWG Wrist blade handle with metal finish and red & blue indicators on handles

Finish Options / Modifications

Append appropriate -suffix to model number.

- STN Satin nickel finish*
- Standard chrome finish

***Note** Handles with red/blue indicators are not available with decorative finishes.

Additional Options

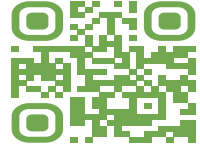
Append appropriate -suffix to model number.

- VP Vandal resistant aerator
- 0.5 0.5 gpm (1.9 L/min) flow restrictor
- CG** 1.0 1.0 gpm (3.8 L/min) flow restrictor
- NA Non-aerated laminar flow outlet spray
- 5 Spout size 5-1/2" x 12-3/8", configure as swivel or rigid. Only available in standard chrome finish

Warranty

Limited Lifetime - to the original end purchaser in consumer/residential installations.

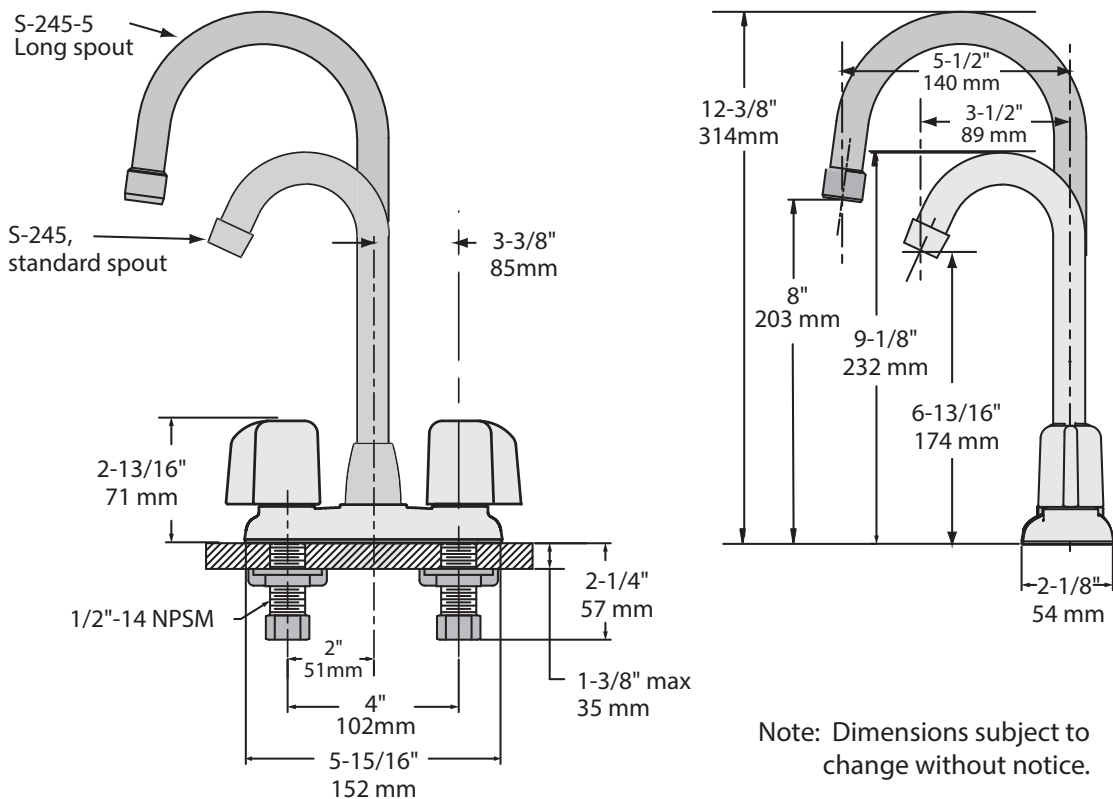
10 Years - for commercial/industrial installations. Refer to www.symmons.com/warranty for complete warranty information.



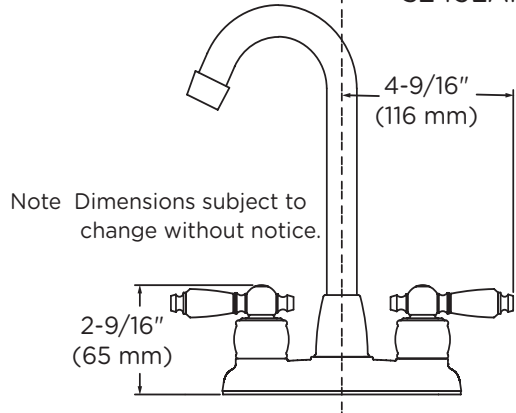
Architectural/ Engineering Specification

Symmons Symmetrix _____ With two handle bar sink faucet, blade handles with red-blue indicators for hot-cold, Quarter turn, Ceramic control components, Standard spout size 3-1/2" x 9-1/8", configure as swivel or rigid, 1/2 inch IPS shanks, 4 inch centers, metal construction, Standard 1.5 gpm (5.7 L/min) flow rate, Polished chrome finish. 10 Year commercial Warranty. ASME A112.18.1/CSA B125.1, NSF/ANSI/CAN 61: Q<1, NSF/ANSI 372, WaterSense: 1.5 gpm (5.7 L/min) complaint. Available options include: "VP - Vandal resistant aerator", "G - Grid strainer drain assembly", "0.5 - 0.5 gpm (1.9 L/min) flow restrictor", "1.0 - 1.0 gpm (3.8 L/min) flow restrictor", "1.5 - 1.5 gpm (5.7 L/min) flow restrictor", "NA - Non-aerated laminar flow outlet spray", "5 - Spout size 5-1/2" x 12-3/8", configure as swivel or rigid. Only available in standard", "STN - Satin nickel finish".

Dimensions Symmetrix® Bar Sink Faucet, S245 and S2455



Dimensions Bar Sink Faucet, S245LAM
S245LAM



Dimensions Bar Sink Faucet, S245LWG

