

Location:



3602-TRM, 3602TRM Tub/Shower Trim Specification Submittal


Feature Highlights

- Duro Tub/Shower Trim
- Requires Temptrol® Pressure Balancing Tub/Shower Valve
- Metal lever handle
- 7" diverter tub spout
- 1 mode showerhead
- Standard flow rate, 2.0 gpm (7.6 L/min)
- Components shall be metal and nonmetallic construction, plated in standard polished chrome finish
- Available with TA-10 flow control spindle and T-12A cap assembly for Temptrol valve bodies installed with Test Cap (order p/n 3602TRMTC)

Model Numbers

- 3602-TRM**
Tub/Shower System Trim (modifiers include decimal points and hyphens)
Note: To create sku, follow the format:
Base SKU -> CYL -> Finish -> Flow Rate (If lower than standard) -> TRM
- 3602TRM**
Tub/Shower System Trim (use when ordering L1-L7 and TC modification, do not use hyphens or decimal points)
Note: To create sku, follow the format:
Base SKU -> Finish -> Modifier (L1-L7) -> Flow Rate (If lower than standard) -> TRM -> TC

Options/Modifications

- 1.5**  1.5 gpm (5.7 L/min) flow restrictor
- 1.75** 1.75 gpm (6.6 L/min) flow rate restrictor
- SH4** Square, 1 mode showerhead
- L1** Less showerhead
- L4** Less head, arm and flange
- L7** Less handle
- TC** Test Cap Trim (includes TA-10&T-12A) used with 16 series Temptrol Valve
- BBZ** Brushed Bronze finish
- MB** Matte Black finish
- STN** Satin Nickel finish

Warranty

Limited Lifetime - to the original end purchaser in consumer/residential installations.
10 Years - for commercial/industrial installations. Refer to www.symmons.com/warranty for complete warranty information.



Compliance

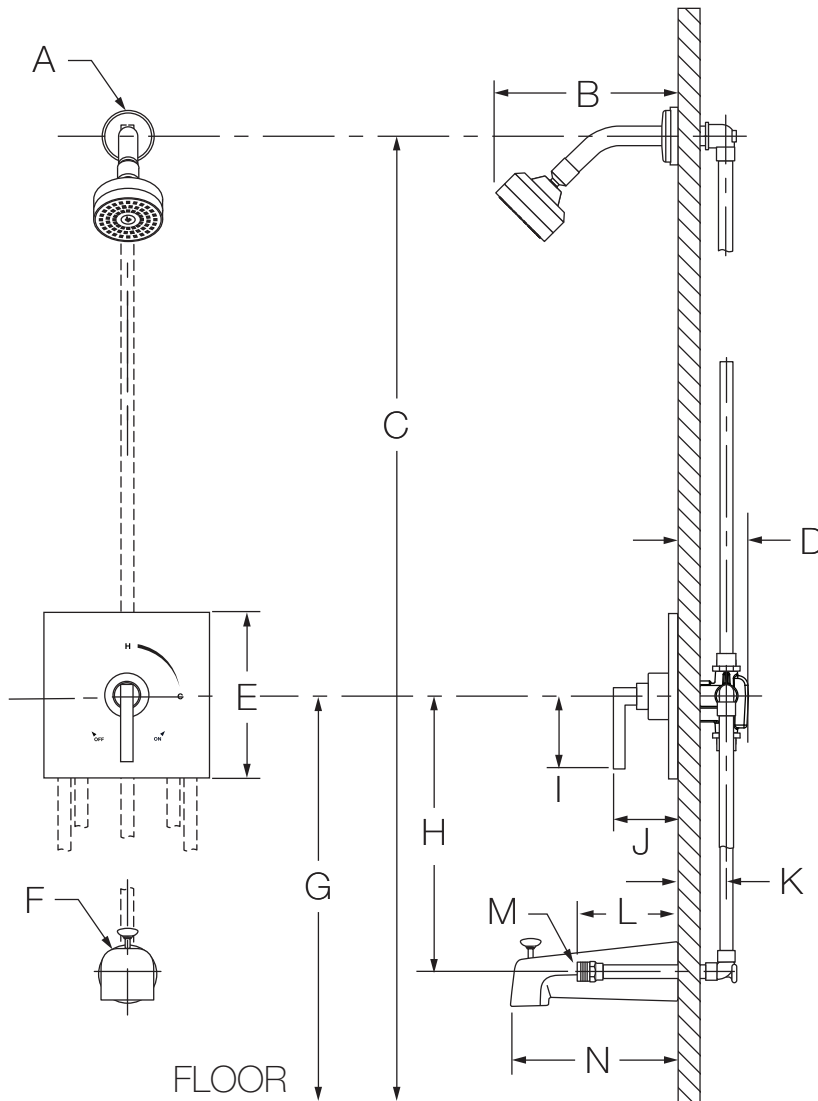
- ASME A112.18.1/CSA B125.1
- WaterSense 1.5 gpm (5.7 L/min) 2.0 gpm (7.6 L/min)



Architectural/Engineering Specification

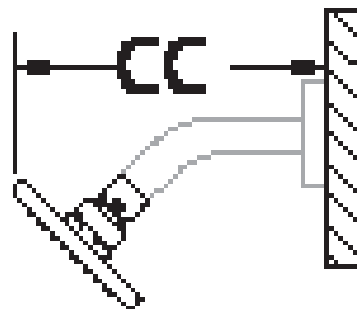
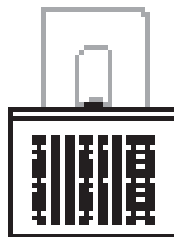
Symmons Duro Tub and Shower Trim _____ Includes Duro Tub/Shower Trim, Requires Temptrol® Pressure Balancing Tub/Shower Valve, Metal lever handle, 7" diverter tub spout, 1 mode showerhead, Standard flow rate, 2.0 gpm (7.6 L/min), Components shall be metal and nonmetallic construction, plated in standard Polished Chrome finish, Available with TA-10 flow control spindle and T-12A cap assembly for Temptrol valve bodies installed with Test Cap, (order p/n 3602TRMTC). 10 Year Commercial Warranty. ASME A112.18.1/CSA B125.1, WaterSense 1.5 gpm (5.7 L/min) 2.0 gpm (7.6 L/min) compliant. Available options: "1.5 - 1.5 gpm (5.7 L/min) flow restrictor", "1.75 - 1.75 gpm (6.6 L/min) flow rate restrictor", "SH4 - Square, 1 mode showerhead", "L1 - Less showerhead", "L4 - Less head, arm and flange", "L6 - Less tub spout", "L7 - Less handle", "TC - Test Cap Trim", "BBZ - Brushed Bronze finish", "MB - Matte Black finish", "STN - Satin Nickel finish".

Dimensions



Measurements	
A	Ø 2-1/2", 64 mm
B	6", 152 mm
C	Ref. 77", 1956 mm
D	3-1/2", 89 mm
E	Sq. 7-1/2", 191 mm
F	Ø 2-1/2", 64 mm
G	Ref. 32", 813 mm
H	Ref. 12", 305 mm
I	3-1/8", 79 mm
J	3-1/2", 89 mm
K	Rough-in 2-3/8" ± 1/2", 60 mm ± 13 mm
L	5-1/2", 140 mm
M	Male 1/2-14 NPT fitting must protrude 5-1/2" (140 mm) from finished wall
N	7", 178 mm
AA	6-3/4", 171 mm
BB	6", 152 mm
CC	5-5/8", 143 mm

-SH4



Notes:

- 1) Valve body and piping not included and shown as reference only.
- 2) Plaster shield (p/n T-176) for dry wall, plaster or other type walls 1/2" or greater.
- 3) All dimensions measured from nominal rough-in (see K as reference).
- 4) Dimensions subject to change without notice.