

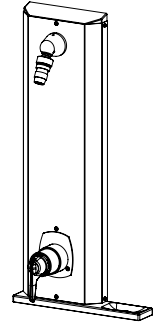
Location:





SYMMONS HYDAPIPE®

H801S
Surface Mounted Shower System
Specification Submittal

Displayed: H801S
Remove "S" modifier
for less soap dish



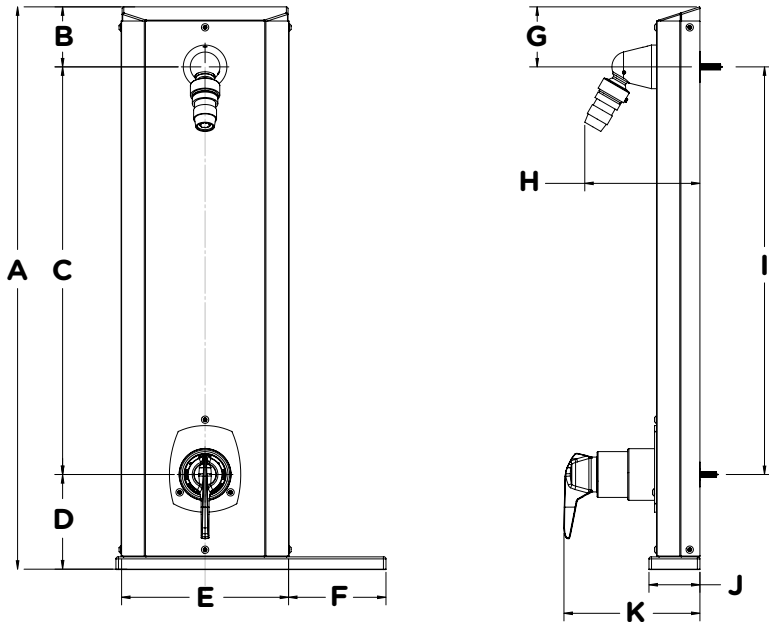
Model Numbers	Feature Highlights
<input type="checkbox"/> H801S Through wall piping configuration with soap dish	<ul style="list-style-type: none"> • Pressure Balancing mixing valve with screw driver service stops and adjustable stop screw to limit handle turn • Showerhead Fre-Flo, all brass with ball joint • Attached soap dish and sloped metal top cap • Stainless steel covering to be 18 gauge with #4 brush finish • 2.0 gpm (7.6 L/min) standard flow rate
Options/ Modifications	
<input type="checkbox"/> S Remove Modifier for Less Soap Dish <input type="checkbox"/> RS Recessed soap dish <input type="checkbox"/> SH Shortened handle <input type="checkbox"/> 56 Pressure balancing + metering dual supply <input type="checkbox"/> WD Winter drain relief valve on supply (only available whith single supply modifiers) <input type="checkbox"/> L1 Less shower head <input type="checkbox"/> 15 1.5 gpm (5.7 L/min) flow restrictor	Compliance
	- ASME A112.18.1/CSA B125.1 - ASSE 1016 
	Warranty
	<p>Limited Lifetime - to the original end purchaser in consumer/residential installations.</p> <p>10 Years - for commercial/industrial installations. Refer to www.symmons.com/warranty for complete warranty information.</p> 

Note: Append appropriate -suffix to model number.

Architectural/ Engineering Specification

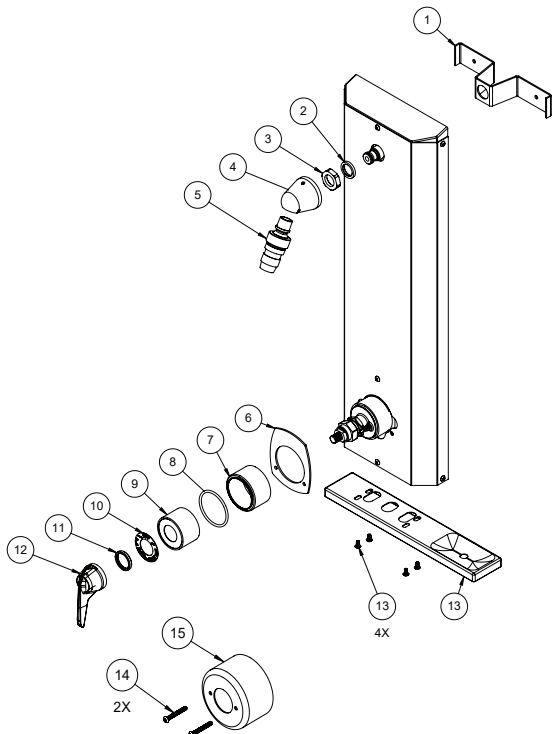
Symmons Surface Mounted Shower System _____ Includes Pressure Balancing mixing valve with screw driver service stops and adjustable stop screw to limit handle turn. Showerhead Fre-Flo, all brass with ball joint. Attached soap dish and sloped metal top cap. Stainless steel covering to be 18 gauge with #4 brush finish, 2.0 gpm (7.6 L/min) standard flow rate. 10 Year Commercial Warranty. ASME A112.18.1/CSA B125.1, ASSE 1016 compliant. Available options: "S - Remove Modifier for Less Soap Dish", "RS - Recessed soap dish", "SH - Shortened handle", "56 - Pressure balancing + metering dual supply", "WD - Winter drain relief valve on supply (only available whith single supply modifiers)", "L1 - Less shower head", "1.5 - 1.5 gpm (5.7 L/min) flow restrictor".

Dimensions



Measurements	
A	27-9/16", 700 mm
B	2-15/16", 75 mm
C	20", 508 mm
D	4-5/8", 118 mm
E	8-3/16", 208 mm
F	4-3/4", 121 mm
G	2-15/16", 75 mm
H	5-5/8", 143.5 mm
I	20", 508 mm
J	2-1/2", 63.5 mm
K	6-11/16", 169.5 mm

Parts Breakdown



FOR 56 CONFIGURATION

#	Description	Part Number
1	Bracket for Solder Assembly	HP06132
2	Nut	HPN-28
3	Nut	HPN-13
4	Bracket	HPN-9
5	Showerhead	4-282M
6	Nameplate	HP-6
7	Valve Cover	HP-10
8	O-Ring	HP-10A
9	Dome	SC-13B-PL
10	Dome Dial	SC13
11	Nut	SC-18
12	Handle	RC-14
13	Soap Dish	HP04854
14	Screws(2), Showeroff Dome	IH-4
15	Showeroff Dome	HP-01800
16	All Mounting Hardware (Bolts, Nuts, Wall Anchors, Washers)	KITHP