

Location:

**SYMMONS® Carrington®**  
the smart choice™

**Kitchen Faucet S-2650-2, S-2650**  
**Specification Submittal**



**Model Numbers**

- S-2650-2 Kitchen Faucet with Handspray
- S-2650 Kitchen Faucet only

**Finish Options / Modifications**

Append appropriate suffix to model number.

- STN Satin nickel
- STS Stainless Steel
- Polished chrome (standard finish)

**Options / Modifications**

Append appropriate -suffix to model number.

- 1.5 1.5 gpm (5.7 L/min) flow restrictor (vandle resistant)
- LAM Metal finish insert lever handles
- LPO White finish insert lever handles

**Feature Highlights**

- Two handle kitchen faucet with quarter turn ceramic control components and 8-3/4 inch swing spout
- Metal cross handle that are ADA compliant
- Side handspray and hose (model S-2650-2 only)
- Aerator with 2.2 gpm flow rate (8.3 L/min)  
Optional lower flow rate restrictor available
- 1/2 inch IPS shanks, 8 inch centers
- Metal construction and polished chrome finish

**Standards / Certifications**

ASME A112.18.1/CSA B125.1  
NSF/ANSI 61.9, NSF/ANSI 372



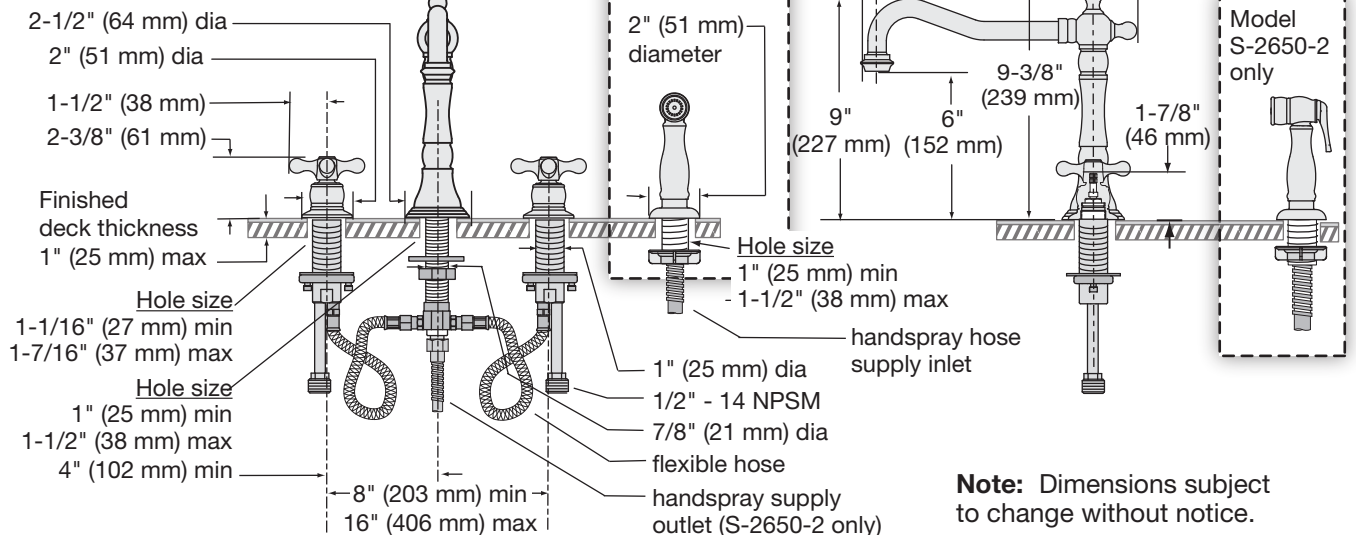
**Warranty**

- Limited Lifetime - to the original end purchaser in consumer installations.
- 5 years - for commercial installations

**Dimensions Carrington Kitchen Faucet, S-2650-2, S-2650**

Model

S-2650-2 ..... Faucet with handspray  
S-2650..... Faucet only



**Note:** Dimensions subject to change without notice.