



Location:




S-4102-TRM, S4102TRMTC  
Tub/Shower Trim  
**Specification Submittal**

**Feature Highlights**

- Naru Tub/Shower Trim
- Requires Temptrol® Pressure Balancing Tub/Shower Valve
- Integral diverter control
- Metal lever handle
- 7-1/8" non-diverter tub spout
- 3 mode showerhead
- 2.5 gpm (9.5 L/min) flow restrictor
- Components shall be metal and nonmetallic construction, plated in standard Polished Chrome finish
- Available with TA-10 flow control spindle and T-12A cap assembly for Temptrol valve bodies installed with Test Cap (order p/n S4102TRMTC)

**Options/Modifications**

- 1.5**  1.5 gpm (5.7 L/min) flow restrictor
- 2.0** 2.0 gpm (7.6 L/min) flow restrictor
- L1** Less showerhead
- PNL** Polished Nickel finish
- STN** Satin Nickel finish

**Note:** Append appropriate -suffix to model number.

**Model Numbers**

- S-4102-TRM**  
Tub/Shower Trim with integral diverter control, Temptrol Pressure Balancing Tub/Shower Valve ordered separately
- S4102TRMTC**  
Tub/Shower Trim with integral diverter control, TA-10 flow control spindle and T-12A cap assembly, must order Temptrol valve with Test Cap

**Compliance**

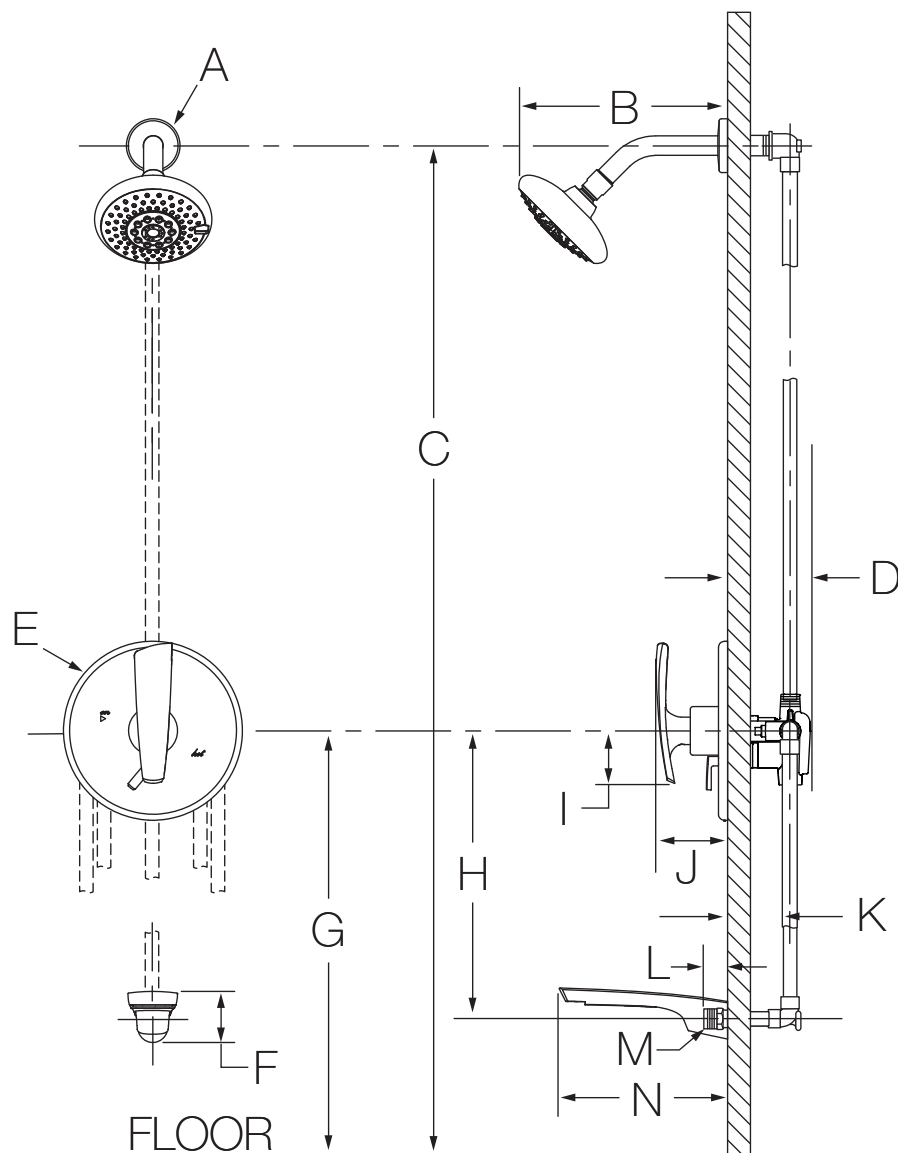
- ASME A112.18.1/CSA B125.1



**Warranty**

**Limited Lifetime** - to the original end purchaser in consumer/residential installations.  
**5 Years** - for industrial/commercial installations.  
Refer to [www.symmons.com/warranty](http://www.symmons.com/warranty) for complete warranty information.  
Go to [www.symmons.com/register](http://www.symmons.com/register) to register your Symmons product.

## Dimensions



Measurements	
A	Ø 2-1/4", 57 mm
B	8-1/4", 210 mm
C	Ref. 77", 1956 mm
D	3-1/2", 89 mm
E	Ø 7-1/2", 191 mm
F	2-1/8", 54 mm
G	Ref. 32", 813 mm
H	Ref. 12", 305 mm
I	2-1/4", 57 mm
J	3", 76 mm
K	Rough-in 2-3/8" ± 1/2", 60 mm ± 13 mm
L	1/2", 13 mm
M	Male 1/2-14 NPT fitting must protrude 1/2" (13 mm) from finished wall
N	7-1/8", 181 mm

### Notes:

- 1) Valve body and piping not included and shown as reference only.
- 2) Plaster shield (p/n T-176) for dry wall, plaster or other type walls 1/2" or greater.
- 3) All dimensions measured from nominal rough-in (see K as reference).
- 4) Dimensions subject to change without notice.