

Location:



S-5500-TRM, S5500TRMTC, S5500TRM Shower Valve Trim Specification Submittal

Feature Highlights

- Elm Shower Valve Trim
- Requires Temptrol® Pressure Balancing Shower Valve
- Integral volume control
- Metal lever handle
- Showerhead not included
- Tub spout not included
- Components shall be metal and nonmetallic construction, plated in standard Polished Chrome finish
- Available with TA-10 flow control spindle and T-12A cap assembly for Temptrol valve bodies installed with Test Cap (order p/n S5500TRMTC)

Options/Modifications

- L7** Less handle
- SBZ** Seasoned Bronze Finish
- STN** Satin Nickel Finish
- MB** Matte Black Finish
- BBZ** Brush Bronze Finish

Note: Append appropriate -suffix to model number.

Model Numbers

- S-5500-TRM**
Shower Valve Trim with integral volume control, Temptrol Pressure Balancing Shower Valve ordered separately
- S5500TRMTC**
Shower Valve Trim with integral volume control, TA-10 flow control spindle and T-12A cap assembly, must order Temptrol valve with Test Cap
- S5500TRM**
Shower Valve Trim with integral volume control, Temptrol Pressure Balancing Shower Valve ordered separately

Note:

- Append appropriate -suffix to model number.
- When ordering L1-L7 modifiers, remove hyphens from model number.

Compliance

- ASME A112.18.1/CSA B125.1



Warranty

Limited Lifetime - to the original end purchaser in consumer/residential installations.

10 Years - for commercial/industrial installations. Refer to www.symmons.com/warranty for complete warranty information.



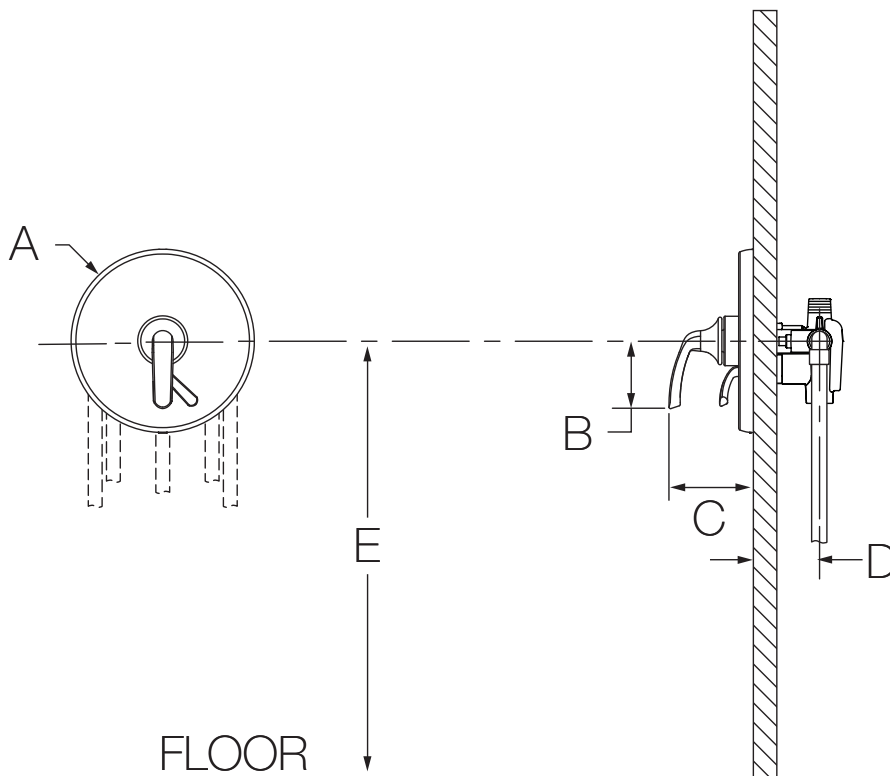
Architectural/ Engineering Specification

Symmons Shower Valve Trim _____ With Elm Shower valve Trim, requires Temptrol® pressure balancing shower valve, Integral volume control, metal lever handle, Showerhead not included, Tub spout not included, components shall be metal and nonmetallic construction, plated in standard Polished Chrome finish, available with TA-10 flow control spindle and T-12A cap assembly for Temptrol valve bodies installed with Test Cap (order p/n S5500TRMTC). 10 Year commercial Warranty. ASME A112.18.1/CSA B125.1, Complaint. Available options include "L7 - Less handle", "-SBZ - Seasoned Bronze Finish", "-STN - Satin nickel Finish", "-MB - Matte Black Finish", "-BBZ - Brush Bronze Finish".



S-5500-TRM, S5500TRMTC, S5500TRM

Dimensions



Measurements	
A	Ø 7-1/2", 191 mm
B	2-3/4", 70 mm
C	3-1/2", 89 mm
D	Rough-in 2-3/8" ± 1/2", 60 mm ± 13 mm
E	Ref. 42", 1067 mm

Notes:

- 1) Valve body and piping not included and shown as reference only.
- 2) Plaster shield (p/n T-176) for dry wall, plaster or other type walls 1/2" or greater.
- 3) All dimensions measured from nominal rough-in (see D as reference).
- 4) Dimensions subject to change without notice.