



SGB-12, SGB-18, SGB-24, SGB-36, SGB-42, SGB-48 Wall-Mounted Grab Bar Operation and Maintenance Manual

Warranty

Limited Lifetime - for residential installations.
10 Years - for commercial/industrial installations.
Refer to www.symmons.com/warranty for complete warranty information.



Product Care

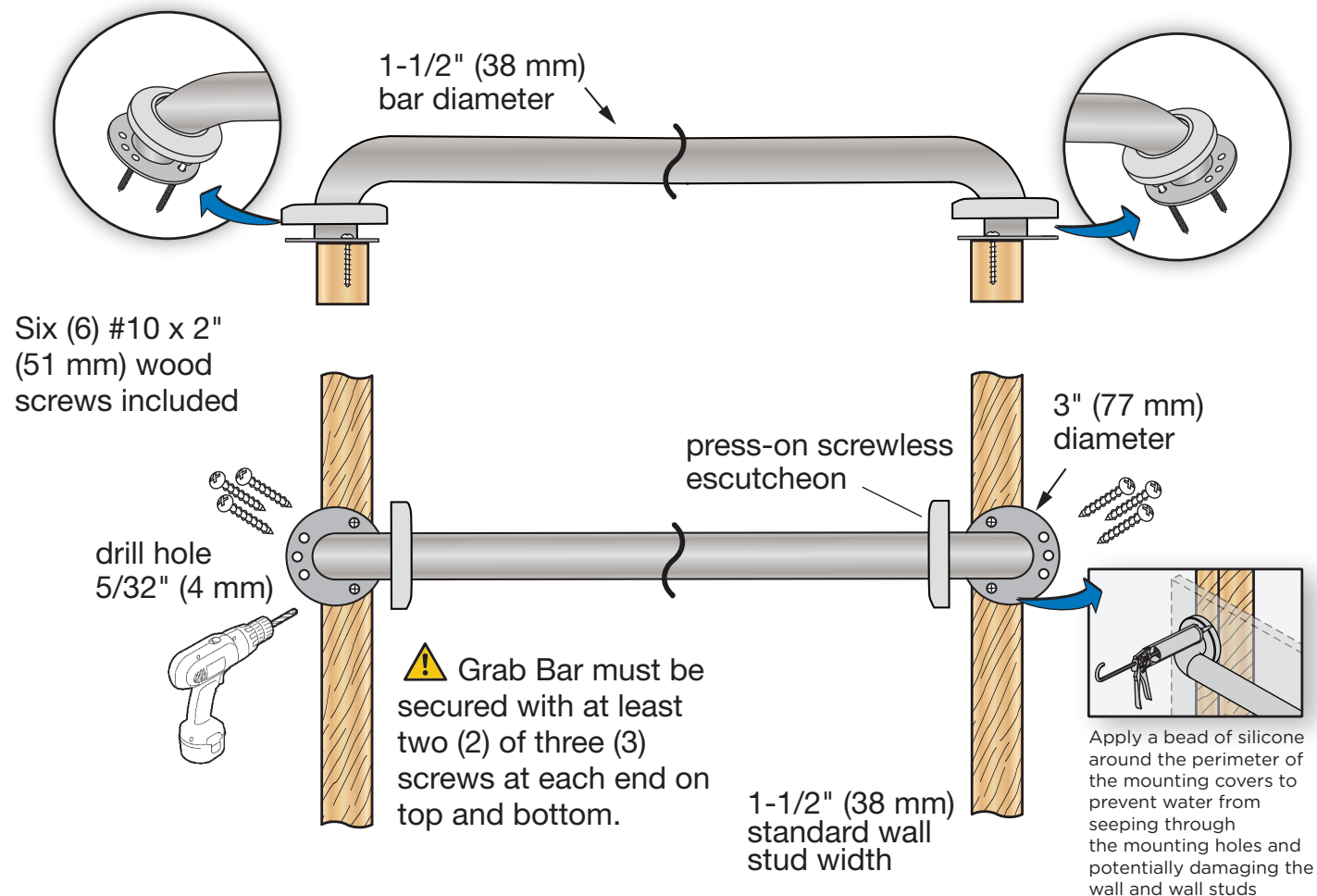
Clean finished trim area with a soft cloth using mild soap and water or a non-abrasive cleaner, and then quickly rinse with water.

Tools Required



Installation

Visual Guide Wall-Mounted Grab Bar SGB



SGB-12, SGB-18, SGB-24, SGB-36, SGB-42, SGB-48

Installation Notes

Grab Bar Location

For proper mounting heights and location consult with your state and local code official having jurisdiction over the installation.

Solid Support

- Grab Bar must be mounted with both ends positioned over a wall stud. A stud finder can be used to locate wall studs. Contractor is responsible for installing Grab Bar to wall studs as instructed.
- Secure through wall board or tile

to the wall stud so as to hold a minimum of 250 pounds of force.

- At least two (2) of the three (3) screws provided must be used on each end of the Grab Bar to properly secure.

Note: Standard size wall stud limits using more than two (2) screws.

Mounting Grab Bar

- Drill all holes through wall board into wood wall studs using a power drill and a 5/32" drill bit.

- Ceramic tiles - If installing Grab Bar over ceramic tiles, first drill a pilot hole through the tile using a 1/4" carbide tip drill bit to prevent damage to the tiles.

Next, drill a pilot hole into the wood wall stud using the 5/32" drill bit.

Silicon Protection

- Apply a bead of silicone around the perimeter of the mounting covers to prevent water from seeping through the mounting holes and potentially damaging the wall and wall studs.

Dimensions Wall-Mounted Grab Bar, SGB

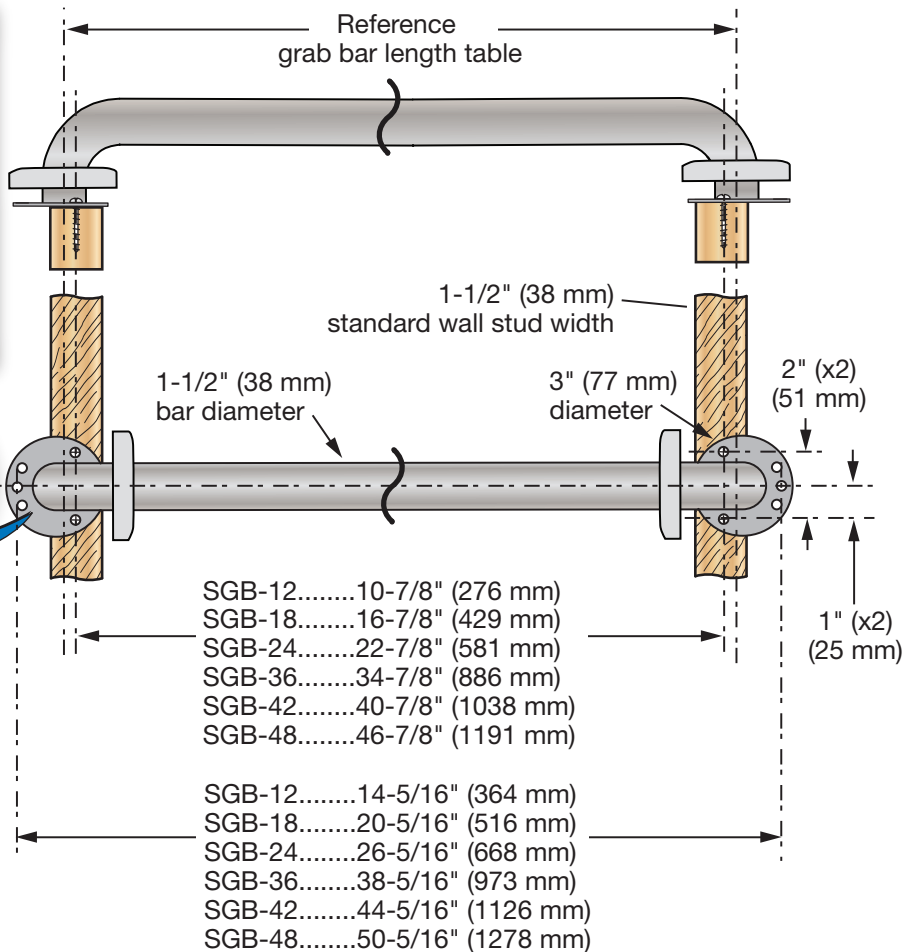
Grab Bar Length	
Model	Length
SGB-12	12" (305 mm)
SGB-18	18" (457 mm)
SGB-24	24" (610 mm)
SGB-36	36" (914 mm)
SGB-42	42" (1067 mm)
SGB-48	48" (1219 mm)

press-on screwless escutcheon

Six (6) #10 x 2" (51 mm) wood screws

⚠ Grab Bar must be secured with at least two (2) of three (3) screws at each end on top and bottom.

Note: Dimensions subject to change without notice.



⚠ WARNING: This product can expose you to chemicals including lead, which is known to the state of California to cause cancer, birth defects, or other reproductive harm. For more information, go to www.P65Warnings.ca.gov.