



# Wall Mounted Grab Bar SGB Specification Submittal



**Model Numbers**

SGB-12..... 12 inch ADA Grab Bar

SGB-18..... 18 inch ADA Grab Bar

SGB-24..... 24 inch ADA Grab Bar

SGB-36..... 36 inch ADA Grab Bar

SGB-42..... 42 inch ADA Grab Bar

SGB-48..... 48 inch ADA Grab Bar

**Finish Options**  
*Append appropriate -suffix to model number*

-STN Satin Nickel

- Polished chrome (standard finish)

---

**Compliance**  
 2010 ADA Standards for Accessible Design  
 Grab bar assembly complies with the applicable requirements.

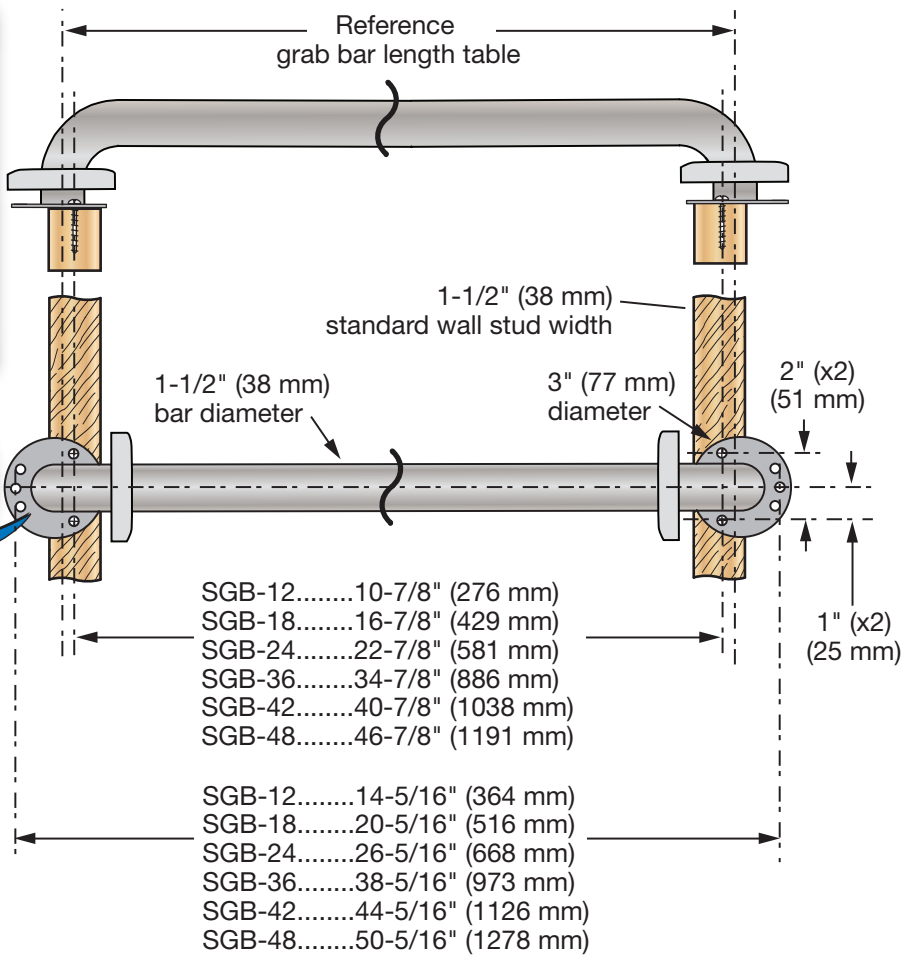
**Need Help?**  
 Symmons customer service:  
 P: (800) 796-6667  
 gethelp@symmons.com  
 Mon - Fri 7:30 am - 7:00 pm EST

[www.symmons.com/service](http://www.symmons.com/service)

- Technical help
- Product information
- Warranty policy

## Dimensions Wall Mounted Grab Bar, SGB

Grab Bar Length	
Model	Length
SGB-12	12" (305 mm)
SGB-18	18" (457 mm)
SGB-24	24" (610 mm)
SGB-36	36" (914 mm)
SGB-42	42" (1067 mm)
SGB-48	48" (1219 mm)



press-on screwless escutcheon

Six (6) #10 x 2" (51 mm) wood screws

**⚠** Grab Bar must be secured with at least two (2) of three (3) screws at each end on top and bottom.

**Note:** Dimensions subject to change without notice.