

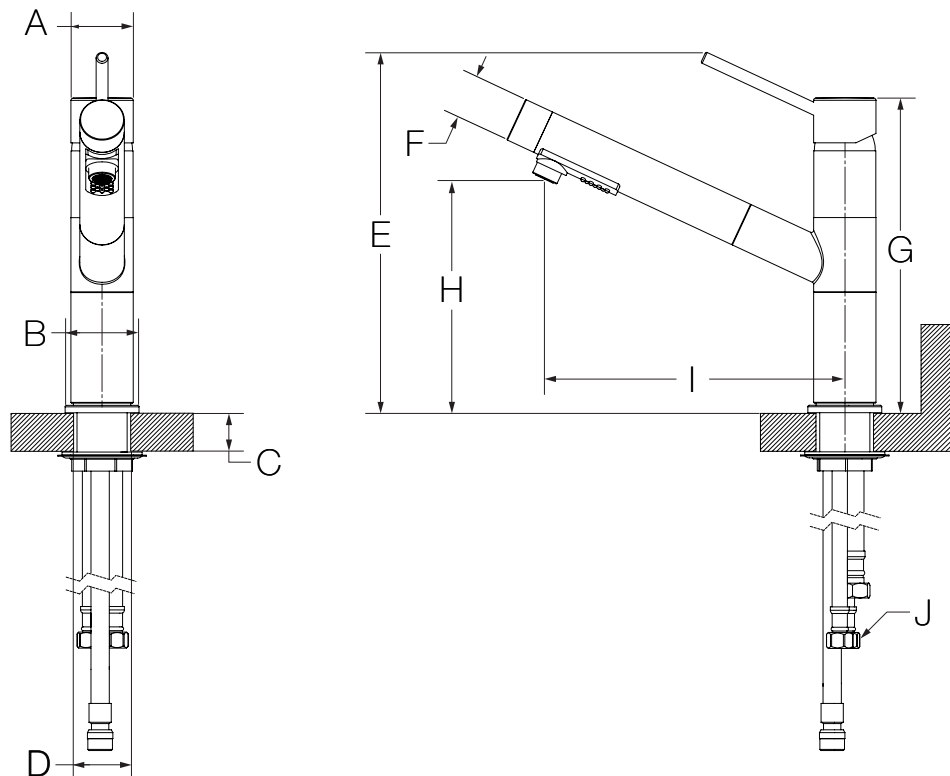


SK-7200-PO
Single Handle Pull-Out Kitchen Faucet
Installation Guide



Model Numbers	Specification
<input type="checkbox"/> SK-7200-PO <i>Single Handle Pull-Out Kitchen Faucet</i>	Single Handle Pull-Out Kitchen Faucet shall include single hole mount configuration, ceramic cartridge, 3/8" compression connections and standard 2.2 gpm (8.3 L/min) aerator. Faucet shall be made from metal construction, plated in standard polished chrome finish.
Options/Modifications	
<input type="checkbox"/> -1.0  <i>1.0 gpm (3.8 L/min) aerator</i> Note: Append appropriate -suffix to model number.	Compliance -ASME A112.18.1/CSA B125.1 -NSF/ANSI 61.9 
Warranty	Compliance
Limited Lifetime - to the original end purchaser in consumer/residential installations. 5 Years - for industrial/commercial installations. Refer to www.symmons.com/warranty for complete warranty information.	

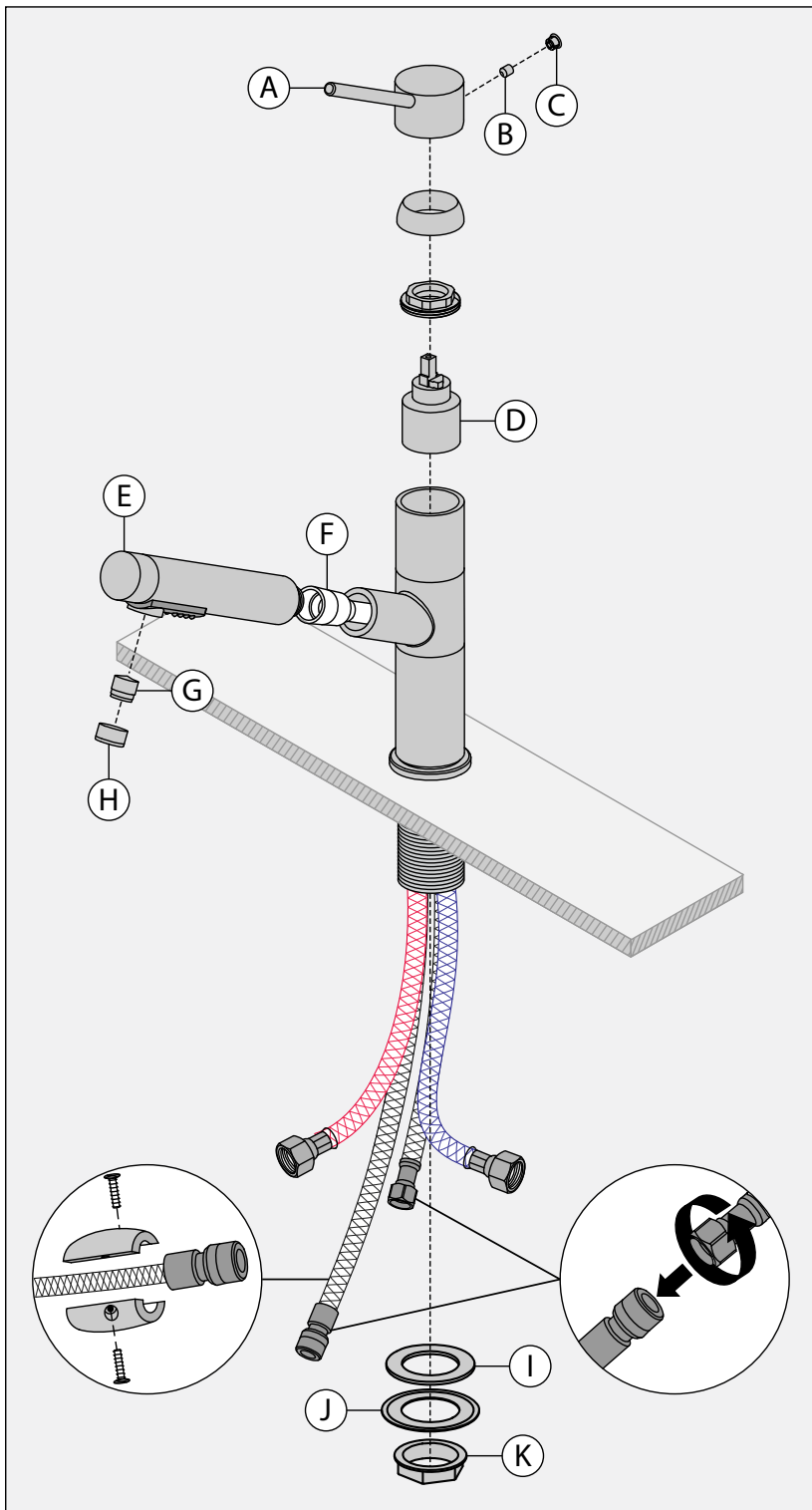
Dimensions



Measurements	
A	Ø 1-5/8", 41 mm
B	Ø 2", 51 mm
C	Deck Thickness Ref. Max. 1-1/2", 38 mm
D	Hole Size Ø 1-1/2", 38 mm
E	9-5/8", 244 mm
F	Ø 1-1/8", 29 mm
G	8-3/8", 213 mm
H	6-1/4", 159 mm
I	8", 203 mm
J	3/8" compression fitting

Note: Dimensions subject to change without notice.

Parts Breakdown



Replacement Parts

Item	Description	Part Number
A	Handle	
B	Set Screw	RK-041
C	Plug Button	
D	Cartridge	KN-4
E	Spray Wand	RK-044
F	Pull-Out Hose	RK-032-GY
G	Aerator Housing	
H	Aerator Housing	RK-045-1.5
I	Rubber Washer	
J	Metal Washer	RK-043
K	Mounting Nut	

Tools Required for Installation

Adjustable Wrench	
Allen Wrench: Handle (2 mm)	
Plumber Tape	
Silicone	

Installation Notes:

- 1) Apply a bead of silicone around the perimeter of all faucet trim installed to deck surface.
- 2) Apply plumber tape to threaded connections as necessary. DO NOT use plumber tape on fittings with face seal washers or o-rings.
- 3) DO NOT OVERTIGHTEN fittings with face seal washers or o-rings.

⚠ WARNING: This product can expose you to chemicals including lead, which is known to the state of California to cause cancer, birth defects, or other reproductive harm. For more information, go to www.P65Warnings.ca.gov.