



SYMMONS® Duro®

Location:







SLS-3612-1.0



SLS-3610-1.0



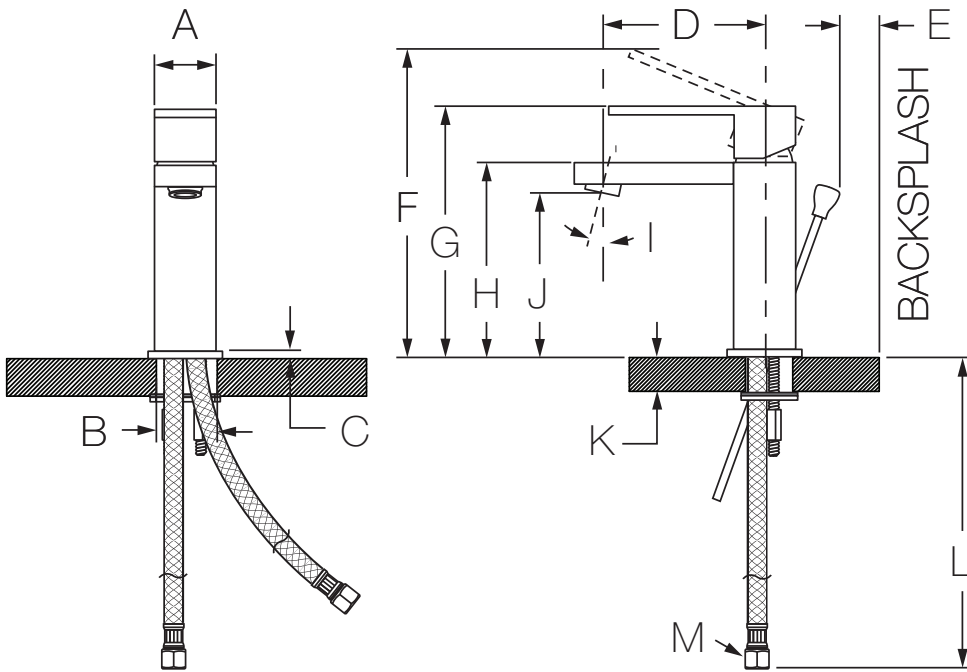
SLS-3612-1.0, SLS-3610-1.0
Single Handle Lavatory Faucet
Specification Submittal

<p>Model Numbers</p>	<p>Feature Highlights</p>
<p><input type="checkbox"/> SLS-3612-1.0 <i>Single Handle Lavatory Faucet with lift rod and metal drain assembly</i></p> <p><input type="checkbox"/> SLS-3610-1.0 <i>Single Handle Lavatory Faucet, lift rod and drain not included</i></p>	<ul style="list-style-type: none"> • Single hole mount configuration • Quarter turn ceramic cartridge • 24 inch braided hose water supply connections • 6-7/8" height • Lift rod and metal drain assembly (SLS-3612-1.0) • Standard 1.0 gpm (3.8 L/min) aerator • Faucet shall be metal construction, plated in standard polished chrome finish
<p>Finish Options/Modifications</p>	<p>Compliance</p>
<p><input type="checkbox"/> -0.5  <i>0.5 gpm (1.9 L/min) aerator</i></p> <p><input type="checkbox"/> -DP4 <i>4" deck plate</i></p> <p><input type="checkbox"/> -BBZ <i>Brushed Bronze finish</i></p> <p><input type="checkbox"/> -MB <i>Matte Black finish</i></p> <p><input type="checkbox"/> -STN <i>Satin Nickel finish</i></p> <p>Note: Append appropriate -suffix to model number.</p>	<p>-ASME A112.18.1/CSA B125.1</p> <p>-NSF/ANSI/CAN 61: Q<1, NSF/ANSI 372 </p> <p>-WaterSense 1.0 gpm </p> <hr/> <p>Warranty</p> <p>Limited Lifetime - to the original end purchaser in consumer/residential installations.</p> <p>10 Years - for commercial/industrial installations. Refer to www.symmons.com/warranty for complete warranty information.</p> 

Architectural/ Engineering Specification

Symmons Duro _____ with single hole mount configuration includes quarter turn ceramic cartridge, 24 inch braided hose water supply connections, 6-7/8" height, lift rod and metal drain assembly (SLS-3612-1.0), standard 1.0 gpm (3.8 L/min) aerator, Faucet shall be metal construction, plated in standard polished chrome finish. 10 Year Commercial Warranty. ASME A112.18.1/CSA B125.1, NSF/ANSI/CAN 61: Q<1, NSF/ANSI 372, WaterSense 1.0 gpm complaint. Available options include: "-0.5 - 0.5 gpm (1.9 L/min) aerator", "-DP4 - 4 deck plate", "-BBZ - Brushed Bronze finish", "-MB - Matte Black finish", "-STN - Satin Nickel finish".

Dimensions



Measurements	
A	1-11/16", 43 mm
B	Hole Size: Min. Ø 1-1/4", 32 mm Max. Ø 1-1/2", 38 mm
C	3/16", 5 mm
D	4-7/16", 113 mm
E	Min. 2-1/2", 64 mm
F	8-7/16", 214 mm
G	6-7/8", 175 mm
H	5-5/16", 135 mm
I	12°
J	4-7/16", 113 mm
K	Deck Thickness Ref. Min. 7/8", 22 mm Max. 2-1/2", 64 mm
L	24", 610 mm
M	(2x) 3/8" compression fitting

Note: Dimensions subject to change without notice.