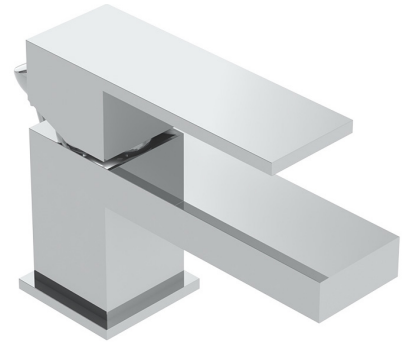






Location:



SLS-3622-1.0
Single Handle Lavatory Faucet
Specification Submittal



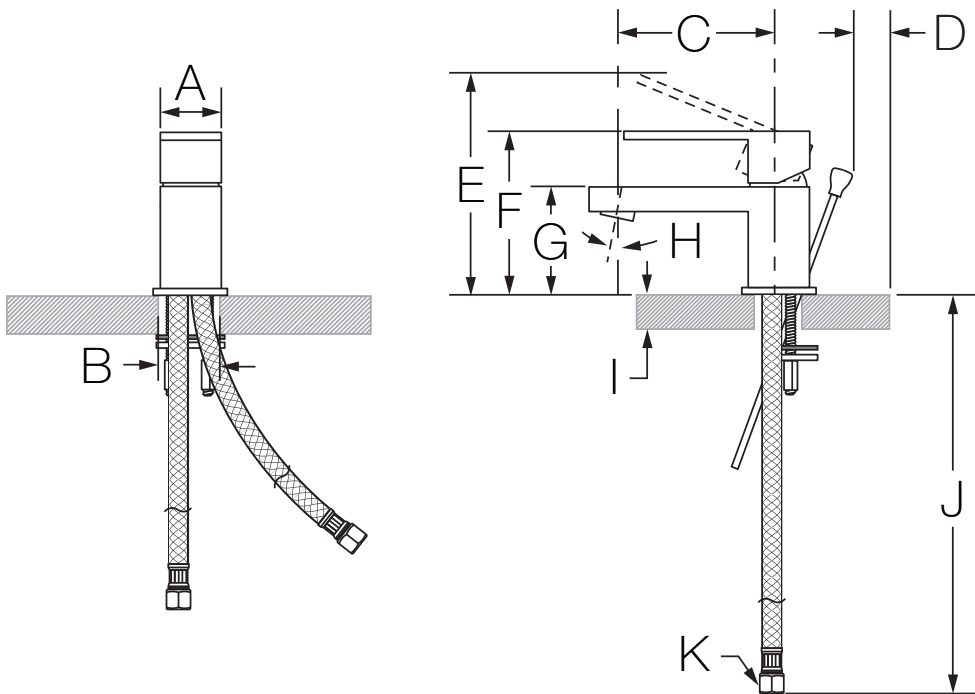
Model Numbers	Feature Highlights
<input type="checkbox"/> SLS-3622-1.0 Single Handle Lavatory Faucet with lift rod and metal drain assembly	<ul style="list-style-type: none"> • Single hole mount configuration • Quarter turn ceramic cartridge • 25 inch braided hose water supply connections • 4-1/2" height • Lift rod and metal drain assembly (SLS-3622-1.0) • Standard 1.0 gpm (3.8 L/min) flow rate • Faucet shall be metal construction, plated in standard polished chrome finish
Finish Options/Modifications	Compliance
<input type="checkbox"/> -0.5  0.5 gpm (1.9 L/min) flow restrictor <input type="checkbox"/> -DP4 4" deck plate <input type="checkbox"/> -BBZ Brushed Bronze finish <input type="checkbox"/> -MB Matte Black finish <input type="checkbox"/> -STN Satin Nickel finish Note: Append appropriate -suffix to model number.	ASME A112.18.1/CSA B125.1 NSF/ANSI/CAN 61: Q<1, NSF/ANSI 372   WaterSense 1.0 gpm (3.8 L/min) Warranty Limited Lifetime - to the original end purchaser in consumer/residential installations. 10 Years - for commercial/industrial installations. Refer to www.symmons.com/warranty for complete warranty information. 

Architectural/ Engineering Specification

Symmons Duro _____ single handle lavatory faucet with Single hole mount configuration, quarter turn ceramic cartridge, 25 inch braided hose water supply connections, 4-1/2" height, Lift rod and metal drain assembly (SLS-3622-1.0), Standard 1.0 gpm (3.8 L/min) flow rate, Faucet shall be metal construction, plated in standard polished chrome finish. 10 Year commercial Warranty. ASME A112.18.1/CSA B125.1, NSF/ANSI/CAN 61: Q<1, NSF/ANSI 372, WaterSense 1.0 gpm (3.8 L/min) complaint. Available options include: "-0.5 - 0.5 gpm (1.9 L/min) flow restrictor", "-DP4 - 4" deck plate", "-BBZ - Brushed Bronze finish", "-MB - Matte Black finish", "-STN - Satin Nickel finish".

SLS-3622-1.0

Dimensions



Measurements	
A	1-11/16", 43 mm
B	Hole Size: Min. Ø 1-1/4", 32 mm Max. Ø 1-1/2", 38 mm
C	4-5/8", 118 mm
D	Min. 1/2", 13 mm
E	6-9/16", 167 mm
F	4-1/2", 114 mm
G	3-1/2", 89 mm
H	12°
I	Deck Thickness Ref. Min. 7/8", 22 mm Max. 2-1/2", 64 mm
J	25", 635 mm
K	3/8" compression fitting

Note: Dimensions subject to change without notice.