

SYMMONS® Dia®

Two Handle Widespread Lavatory Faucet

SLW-3512-1.5, SLW-3522-1.5

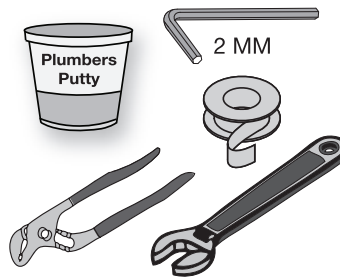
Installation Brief



Model Numbers

- SLW-3512-1.5 Two Handle Lavatory faucet with pop-up drain assembly (7-1/4" height)
- SLW-3522-1.5 Two Handle Lavatory faucet with pop-up drain assembly (5-3/4" height)

Tools & Materials



☎ Need Help?

Contact Symmons customer service at
 P: (800) 796-6667, (781) 848-2250
 Email: gethelp@symmons.com
 Monday - Friday 7:30 am - 7:00 pm EST

💻 Please check Symmons website for technical help, the latest product information and warranty policy.
www.symmons.com/service

Modification Options

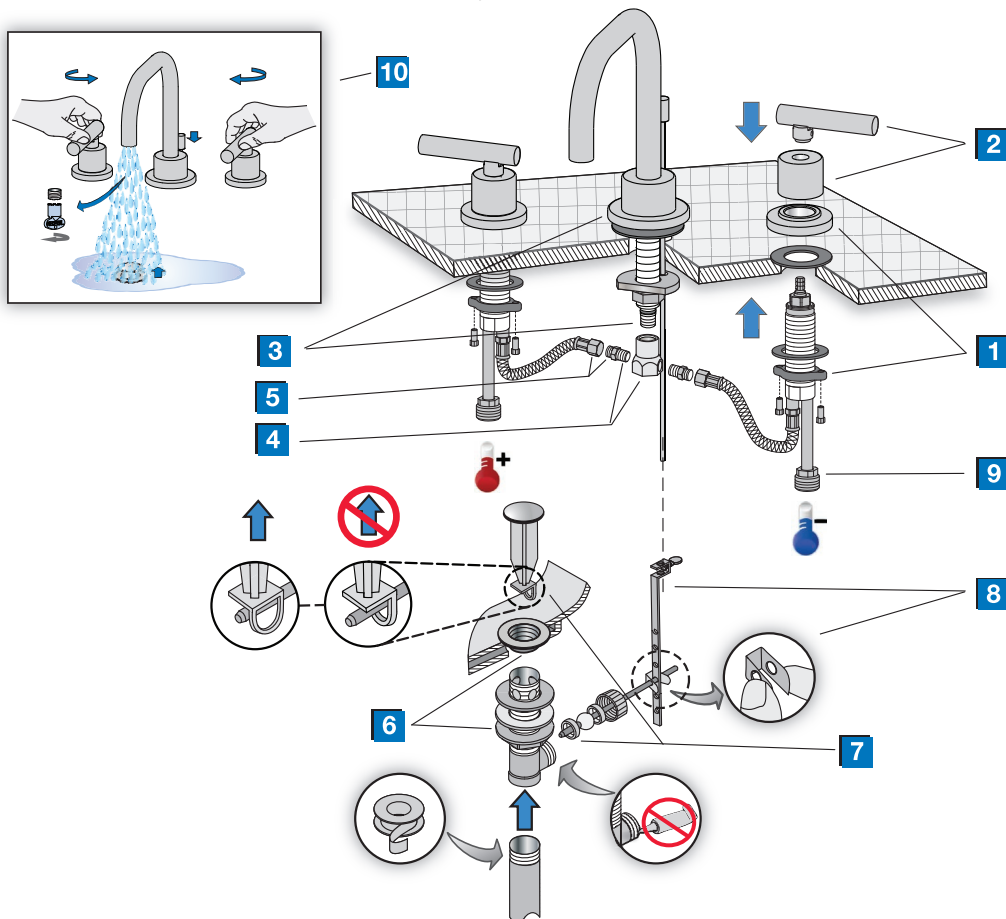
Append -suffix code to part numbers when applicable

- 0.5 0.5 gpm (1.9 L/min) aerator
- 1.0 1.0 gpm (3.8 L/min) aerator
- 2.2 2.2 gpm (8.3 L/min) aerator
- H2 Blade handles
- H3 Cross handles



Quick Install Guide

Dia Two Handle Widespread Lavatory Faucet, SLW-3512-1.5, SLW-3522-1.5



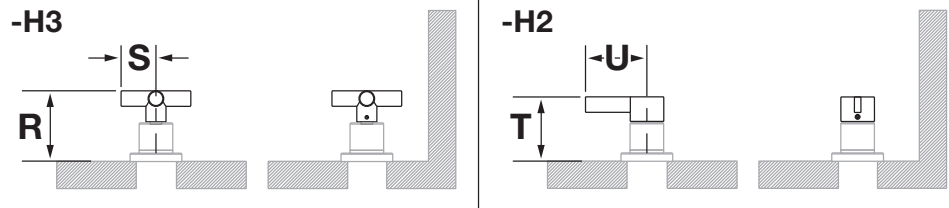
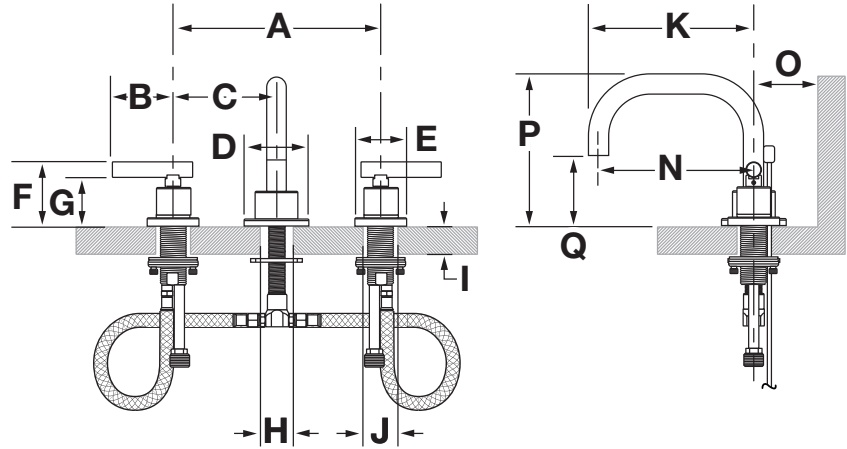
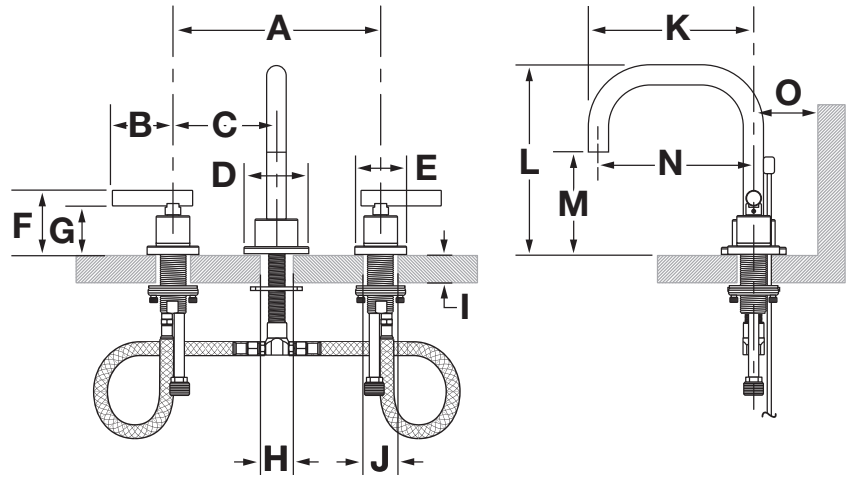
For California Residents

WARNING: This product contains chemicals known to the State of California to cause cancer, birth defects, or other reproductive harm.

Dimensions

Dia Two Handle Widespread Lavatory Faucet, SLW-3512-1.5, SLW-3522-1.5

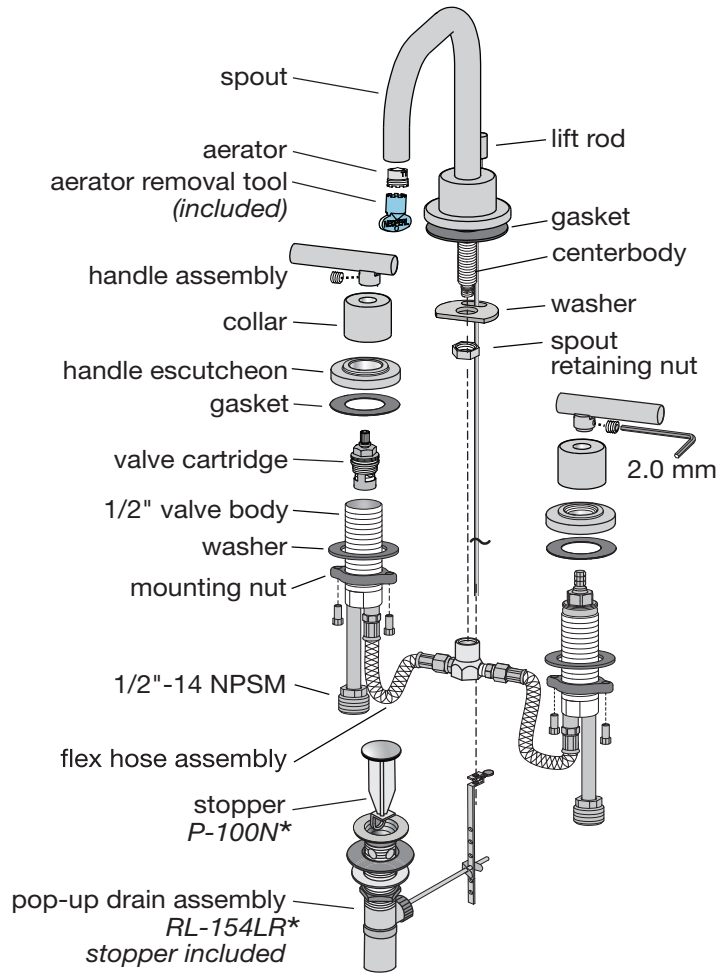
Measurements	
A	Min. 8", 203 mm Max. 16", 406 mm
B	2 3/8", 60 mm
C	Min. 4", 102 mm
D	2 1/2", 64 mm
E	2", 51 mm
F	2 1/2", 64 mm
G	1 7/8", 48 mm
H	Hole Size Min \varnothing 1 1/2", 38 mm Max \varnothing 1 5/8", 41 mm
I	Deck Thickness Ref. Max 1 3/8", 35 mm
J	(2x) Hole size Min. 1 1/8", 29 mm Max. 1 1/2", 38 mm
K	6 3/8", 162 mm
L	7 1/4", 185 mm
M	3 7/8", 98 mm
N	6", 152 mm
O	1 1/2", 38 mm
P	5 3/4", 146 mm
Q	2 5/8", 67 mm
R	2 3/4", 70 mm
S	1 3/8", 35 mm
T	2 1/2", 64 mm
U	2 3/8", 60 mm



Note: Dimensions subject to change without notice.

Parts Assembly

Dia Two Handle Widespread Lavatory Faucet, *SLW-3512-1.5*, *SLW-3522-1.5*



Replacement Parts		
Part Number	Item	
RL-058*	handle assembly handle screw collar escutcheon gasket	
RL-250 (-H3)	cross handle assembly handle screw collar escutcheon gasket	
RL-251 (-H2)	blade handle assembly handle screw collar escutcheon gasket	
LN-333-KIT FLR-102-1.5-KIT FLR-102-0.5	aerator & removal tool flow rates 2.2 gpm (8.3L /min) 1.5 gpm (5.7L /min) 0.5 gpm (1.9L /min)	
KN-114 (hot) OFF = CW KN-113 (cold) OFF = CCW	valve cartridge KN-113 identified by groove	
LN-341*	Lift rod	

Ordering replacement parts:

Call Symmons customer service at (800) 796-6667, (781) 848-2250 M-F 7:30 am - 7:00 pm EST or check our website at www.symmons.com for a list of Symmons distributors.

Note: When ordering replacement parts for faucets with an optional decorative finish, append appropriate three letter finish suffix code to part numbers marked with an asterisk ().

