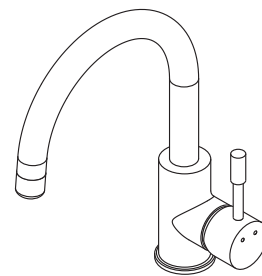




SPB3510 Single Handle Bar Sink Faucet Operation and Maintenance Manual



Warranty

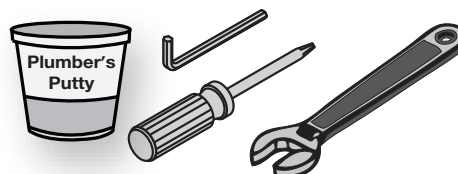
Limited Lifetime - for residential installations.
10 Years - for commercial/industrial installations.
Refer to www.symmons.com/warranty for complete warranty information.



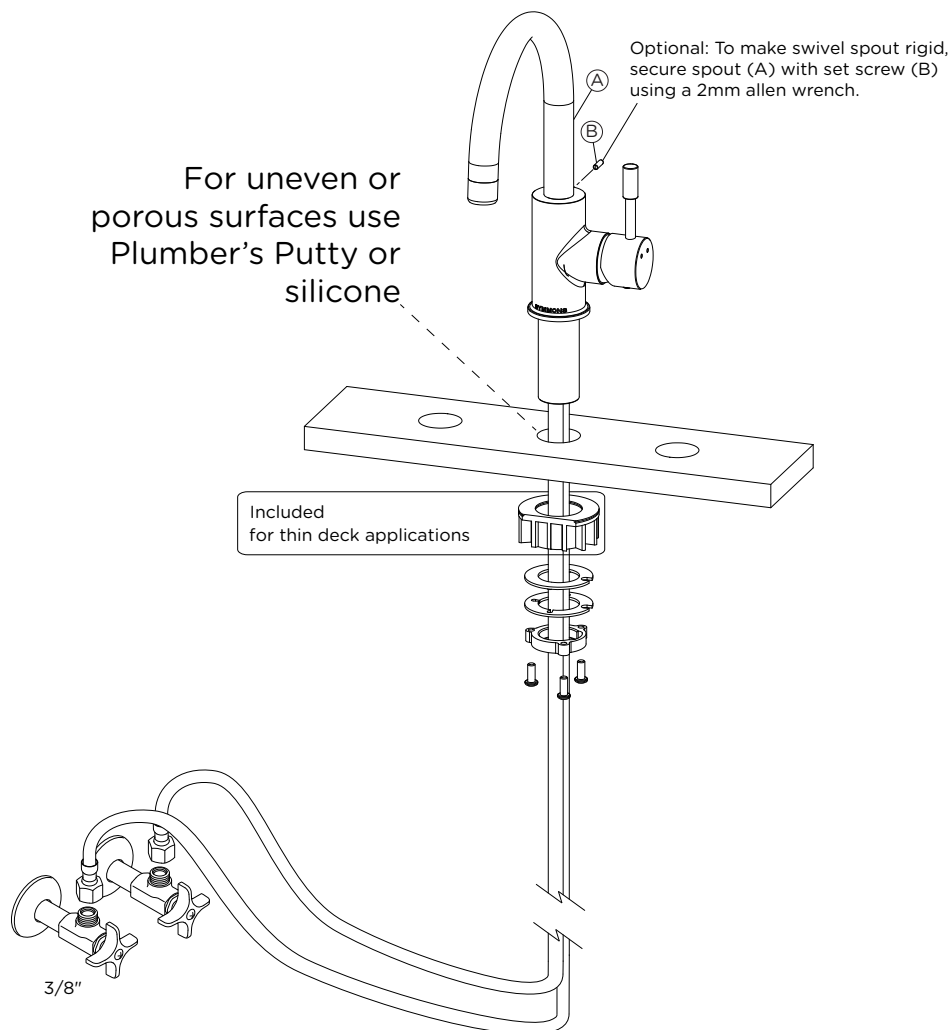
Product Care

Clean finished trim area with a soft cloth using mild soap and water or a non-abrasive cleaner, and then quickly rinse with water.

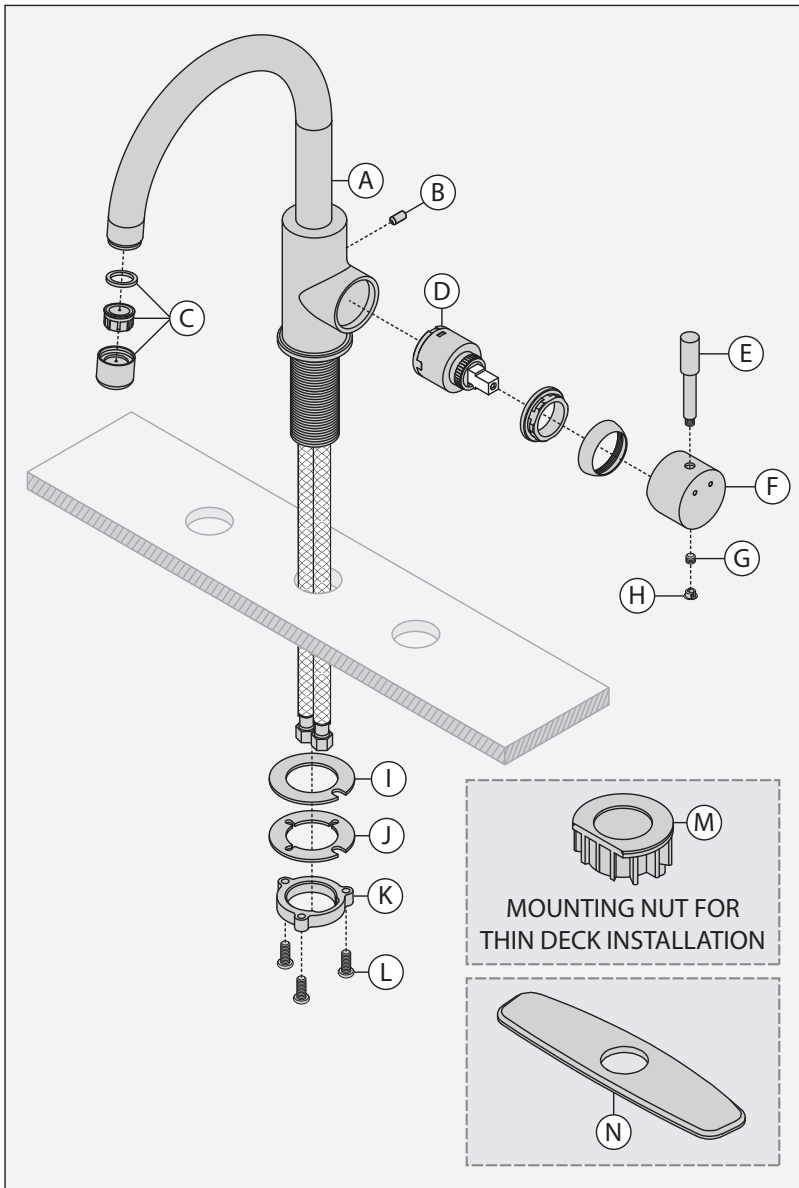
Tools Required



Installation



Parts Breakdown



Replacement Parts		
Item	Description	Part Number
C	0.5 gpm aerator	RL-092-0.5*
	1.0 gpm aerator	RL-092-1.0*
	1.2 gpm aerator	RL-092-1.2*
	1.5 gpm aerator	RL-092-1.5*
	2.2 gpm aerator	RL-092-2.2*
D	Cartridge	RL-093
E	Lever Handle	RL-094*
F	Handle Hub	
G	Set Screw	
H	Plug Button	
I	Rubber Washer	RL-095
J	Metal Washer	
K	Mounting Nut	
L	Mounting Screws	
N	Optional 8" Deck Plate	RL-032*

***Note:** Append appropriate -suffix to repair part number for premium finish or flow rate.


Tools Required for Installation	
Adjustable Wrench	
Allen Wrench: Handle (2.5mm) Spout (2mm)	
Phillips Head Screwdriver	
Silicone	

Installation Notes:

- 1) Apply a bead of silicone around the perimeter of trim installed flush to sink.
- 2) DO NOT use plumber putty or plumber tape on fittings with face seal washers or o-ring seals.
- 3) DO NOT OVERTIGHTEN fittings with face seal washers or o-ring seals.

Troubleshooting Chart

Problem	Cause	Solution
Finish is spotting.	Elements in water supply may cause water staining on finish.	Clean finished trim area with a soft cloth using mild soap and water or a non-abrasive cleaner and then quickly rinse with water.
Faucet is leaking from handle or faucet body.	Remove cartridge and inspect for foreign matter. Replace cartridge if necessary.	Cartridge o-rings are worn or foreign matter (dirt, chips) is lodged between cartridge and o-rings.
Faucet no longer maintains desired temperature.	Hard water deposit inside of cartridge is preventing accurate mix of hot and cold water.	Soak cartridge in white vinegar for 1 hour to breakdown hard water deposits, then rinse with water. Replace cartridge if necessary.

 **WARNING:** This product can expose you to chemicals including lead, which is known to the state of California to cause cancer, birth defects, or other reproductive harm. For more information, go to www.P65Warnings.ca.gov.