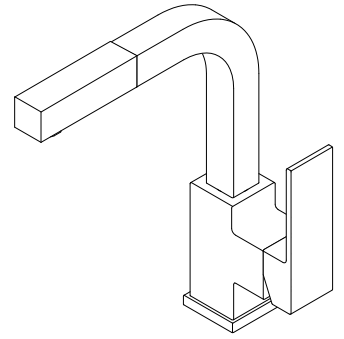


Location:



Duro[®]



SPP3610
Pull-Out Kitchen Faucet
Specification Submittal

Model Numbers

- SPP3610**
Pull-Out Kitchen Faucet

Modifications

- BBZ** Brushed Bronze finish
- MB** Matte Black finish
- STS** Stainless Steel finish

Note: Append appropriate suffix to model number.

Compliance

ASME A112.18.1/CSA B125.1
NSF/ANSI/CAN 61: Q<1, NSF/ANSI 372



Specification

Pull-Out Kitchen Faucet shall include single hole mount configuration, ceramic cartridge, braided hose connections and standard 1.5 gpm (5.7 L/min) aerator. Faucet shall be made from metal construction, plated in standard polished chrome finish.



Warranty

Limited Lifetime - to the original end purchaser in consumer/residential installations.

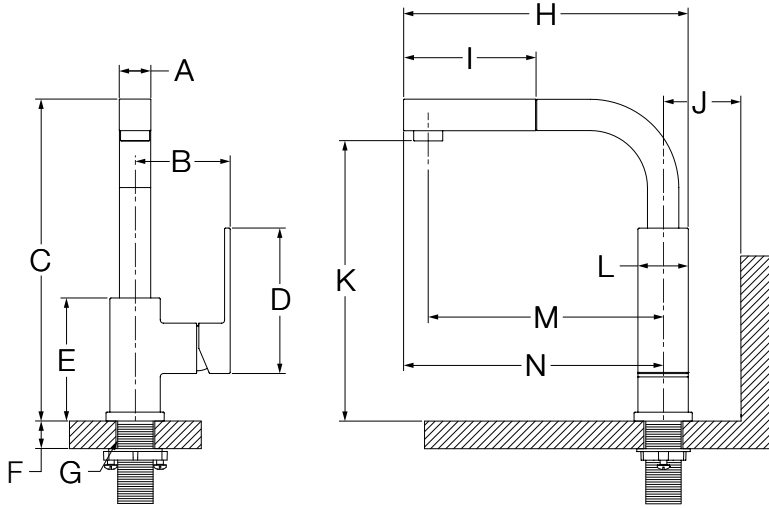
10 Years - for commercial/industrial installations. Refer to www.symmons.com/warranty for complete warranty information.



Architectural/ Engineering Specification

Symmons Duro_____ with Pull-Out Kitchen Faucet shall include single hole mount configuration, ceramic cartridge, braided hose connections and standard 1.5 gpm (5.7 L/min) aerator. Faucet shall be made from metal construction, plated in standard polished chrome finish. 10 Year Commercial Warranty. ASME A112.18.1/CSA B125.1, NSF/ANSI/CAN 61: Q<1, NSF/ANSI 372, complaint. Available options include: "Brushed Bronze finish", "Matte Black finish", "Stainless Steel finish".

Dimensions



Measurements	
A	1-1/8", 29 mm
B	3-3/8", 86 mm
C	11-5/16", 287 mm
D	5-1/8", 130 mm
E	4-5/16", 110 mm
F	Deck Thickness Ref. Max. 2-1/2", 64 mm
G	Hole Size Min. Ø 1-3/8", 35 mm Max. Ø 1-1/2", 38 mm
H	10", 254 mm
I	4-5/8", 117 mm
J	To Backsplash 4", 102 mm
K	9-7/8", 251 mm
L	1-3/4", 44 mm
M	8-1/4", 210 mm
N	9-1/8", 232 mm

Notes:

- 1) Hoses removed for clarity.
- 2) Dimensions subject to change without notice.