



# SYMMONS® DS Creations

the smart choice™



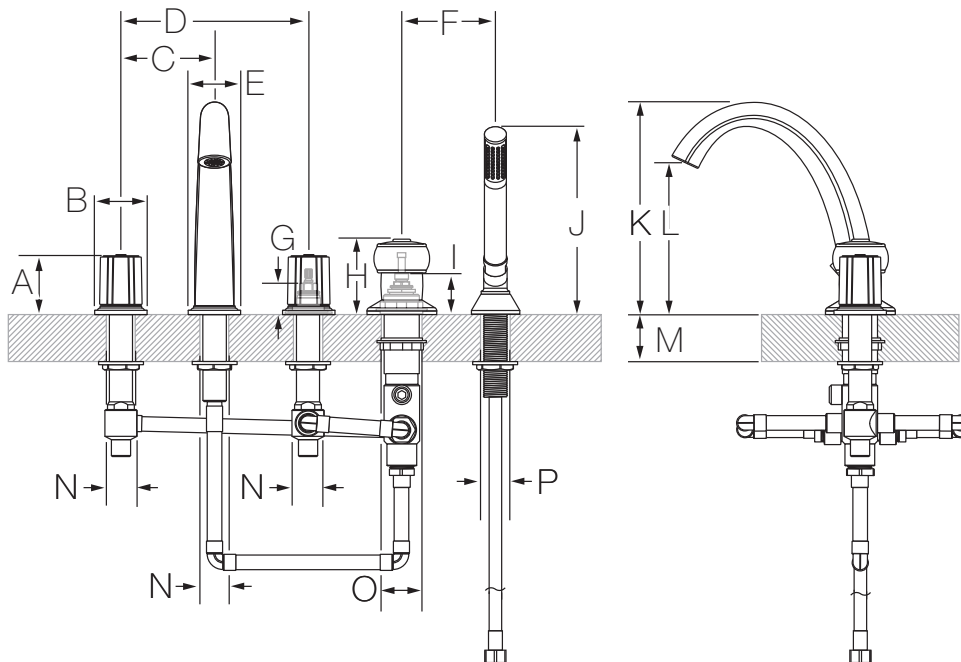
SRT-0600-72-TRM (CDSRT0600-72-TRM)

Two Handle Roman Tub Faucet

## Installation Guide

Model Numbers	Specification
<ul style="list-style-type: none"> <li><input type="checkbox"/> <b>SRT-0600-72-TRM</b> <i>Two Handle Roman Tub Faucet</i></li> <li><input type="checkbox"/> <b>SRT-0600-72-BODY</b> <i>Roman Tub Valve Body Assembly</i></li> </ul>	<p>Two Handle Roman Tub Faucet (with roman tub valve body assembly) shall include quarter turn ceramic cartridges, 1/2" IPS inlet connections and 1 mode hand spray.</p> <p>Roman Tub Faucet shall be made from metal construction, plated in standard polished chrome finish.</p>
<p><b>Warranty</b></p> <p><b>Limited Lifetime</b> - to the original end purchaser in consumer/residential installations.</p> <p><b>5 Years</b> - for industrial/commercial installations.</p> <p>Refer to <a href="http://www.symmons.com/warranty">www.symmons.com/warranty</a> for complete warranty information.</p>	

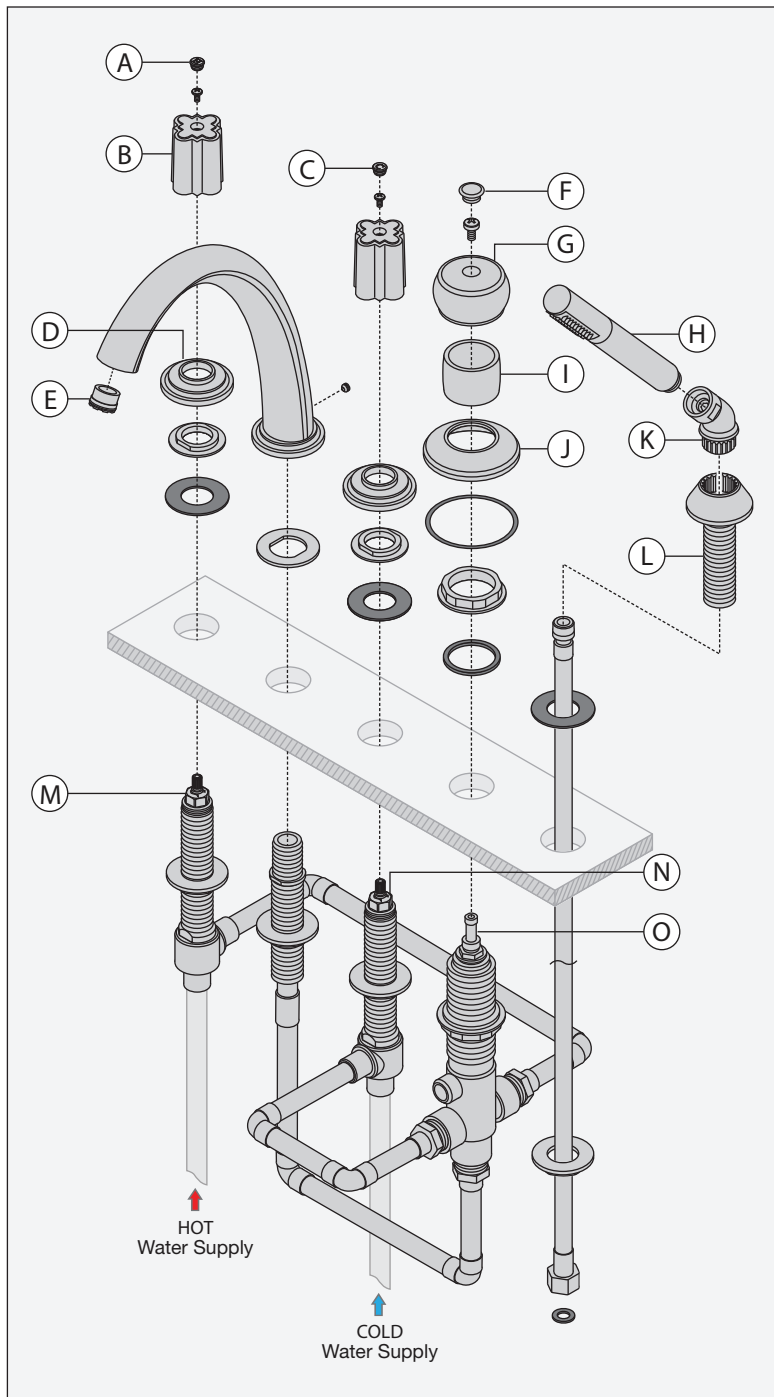
## Dimensions



Measurements	
A	(2x) 2-1/2", 64 mm
B	Ø 2-1/4", 57 mm
C	4", 102 mm
D	8", 203 mm
E	Ø 2-1/4", 57 mm
F	12", 305 mm
G	1-1/4", 32 mm
H	3-1/4", 83 mm
I	1-11/16", 43 mm
J	8-1/16", 204 mm
K	9-1/16", 230 mm
L	6-1/2", 165 mm
M	Deck Thickness Ref. Max. 2", 51 mm
N	(3x) Hole Size Ø 1-1/4", 32 mm
O	Hole Size Ø 1-5/8", 41 mm
P	Hole Size Ø 1-1/4", 32 mm

**Note:** Dimensions subject to change without notice.


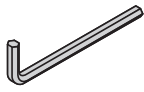
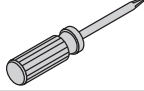


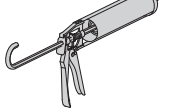
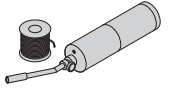
## Parts Breakdown



### Replacement Parts

Item	Description	Part Number
A	Hot Plug Button	RL-310
C	Cold Plug Button	RL-310
B	Handle	RL-311
D	Handle Escutcheon	RL-312
E	Aerator	RT-262
F	Diverter Plug Button	RT-006
G	Diverter Knob	RT-005
H	Hand Spray	432W-2.0
I	Diverter Barrel	RT-004
J	Diverter Escutcheon	RT-004
K	Hand Spray Cradle	RT-002
L	Hand Spray Base	RT-002
M	Hot Cartridge	KN-114
N	Cold Cartridge	KN-113
O	Diverter Cartridge	RT-003

### Tools Required for Installation

Adjustable Wrench	
Allen Wrench: Handle (3 mm) Spout (3 mm)	
Phillips Head Screwdriver	
Plumber Tape	
Safety Glasses	
Silicone	
Solder and Torch	

### Notes:

- 1) Apply a bead of silicone around the perimeter of trim installed flush to sink.
- 2) Apply plumber tape to all threaded connections.

**⚠ WARNING:** This product can expose you to chemicals including lead, which is known to the state of California to cause cancer, birth defects, or other reproductive harm. For more information, go to [www.P65Warnings.ca.gov](http://www.P65Warnings.ca.gov).