

SYMMONS® Lucetta®

Roman Tub Faucet SRT-4670


Installation and Service Instructions



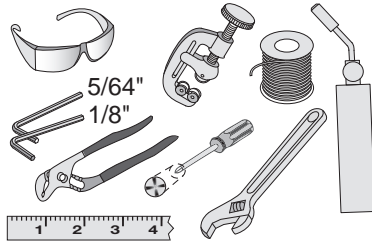
Model Numbers

SRT-4670..... Chrome finish
 SRT-4670-STN Satin Nickel finish


Compliance

ASME A112.18.1/CSA B125.1 

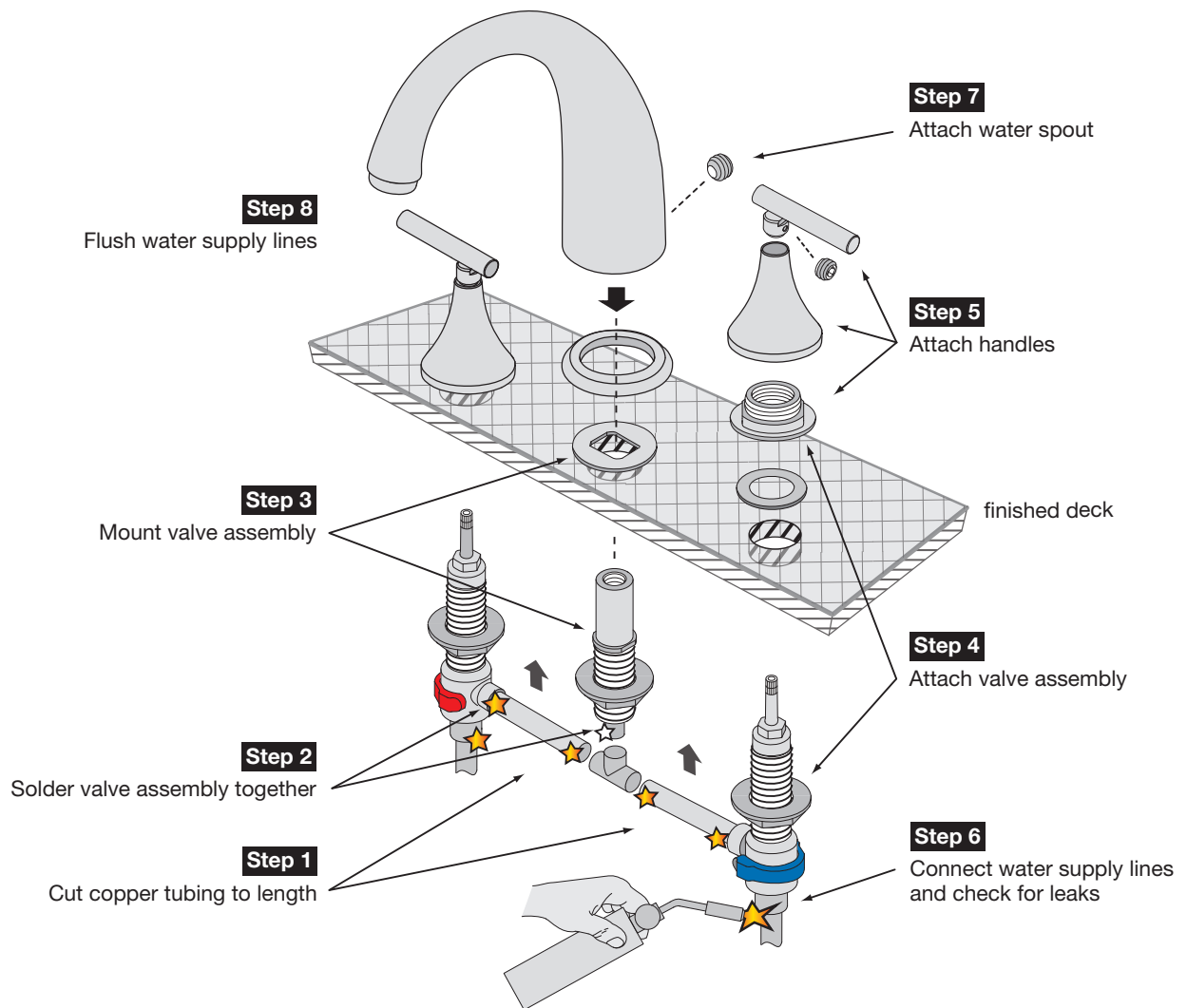
Tools & Materials



☎ Need Help?

Symmons customer service:
 Phone: (800) 796-6667
 Email: gethelp@symmons.com
 Monday - Friday 7:30 am - 6:00 pm EST
www.symmons.com/service 

Quick Install Guide *Lucetta Roman Tub Faucet, SRT-4670*



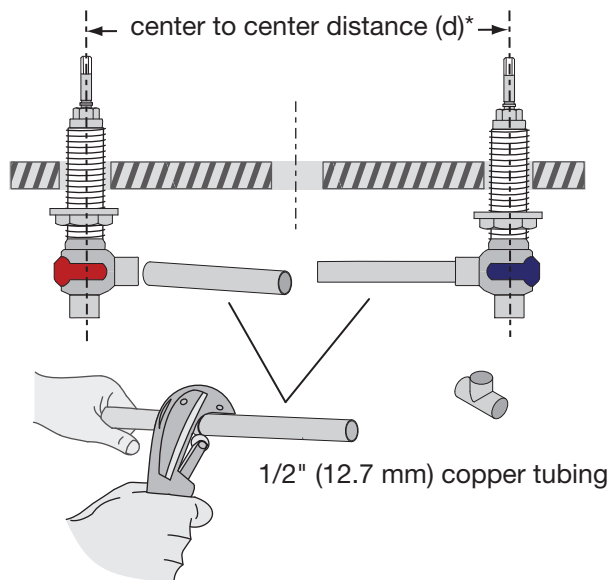
⚠ WARNING: This product can expose you to chemicals including lead, which is known to the state of California to cause cancer, birth defects, or other reproductive harm. For more information, go to www.P65Warnings.ca.gov.

Installation Instructions

Caution: If replacing an older faucet ensure water supply is turned OFF before removing and then turn faucet handles ON to relieve water pressure.

Step 1 Cut copper tubing to length

Length = (d) minus 2-1/4 inches (57 mm) divided by 2.

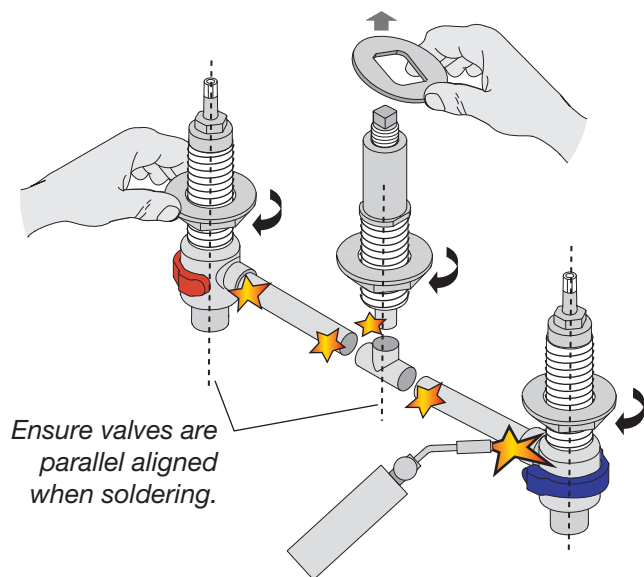


Example:

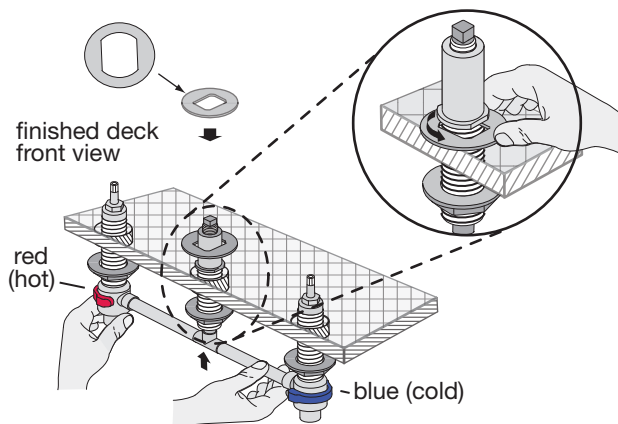
- If center to center distance (d) is 14 inches.
- 14 inches minus 2-1/4 inches = 11-3/4 inches.
- 11-3/4 inches divided by 2 = 5-7/8 inches.
- Cut 2 copper tubes into 5-7/8 inch lengths.

* Maximum distance (d) with supplied copper tubing is 18-1/4 inches (463 mm)

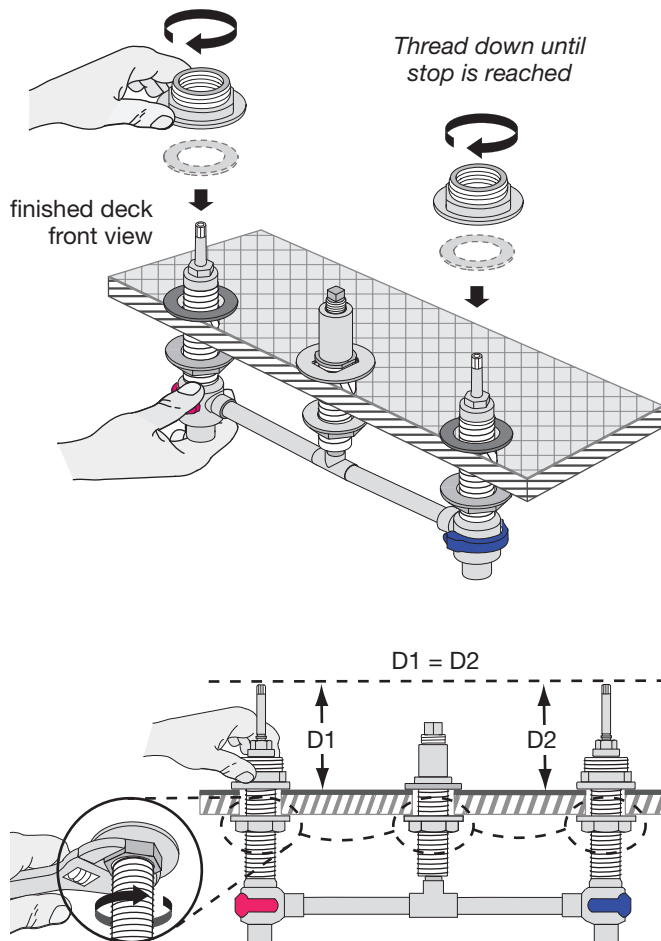
Step 2 Solder valve assembly together



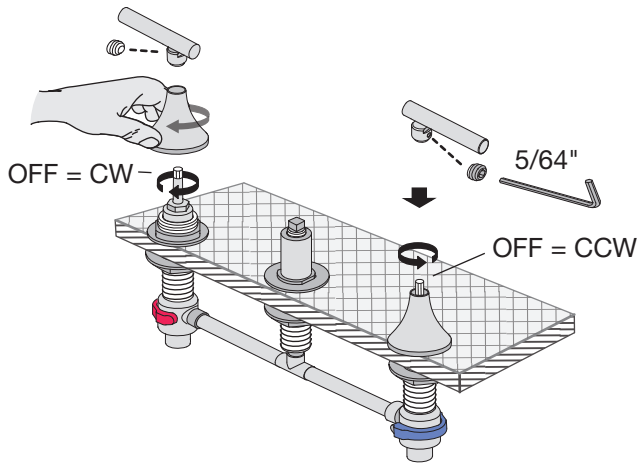
Step 3 Mount valve assembly to deck



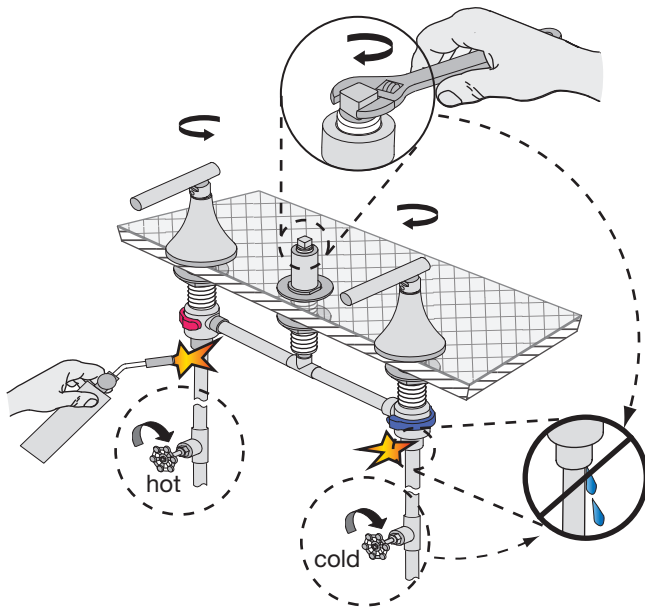
Step 4 Attach valve assembly to deck



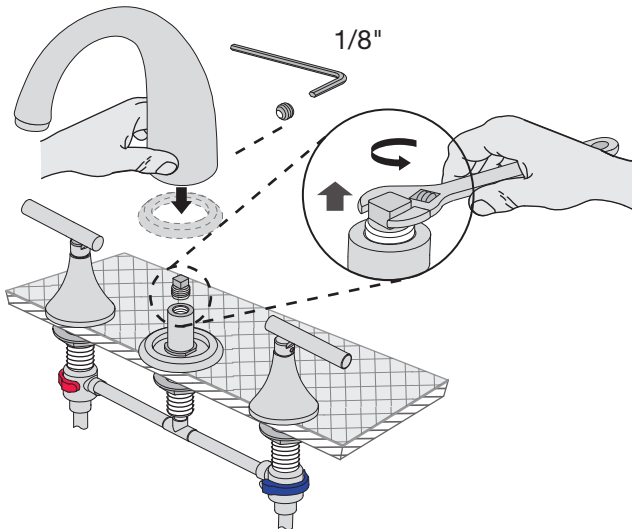
Step 5 Attach faucet handles



Step 6 Solder supply lines to valve inlets



Step 7 Attach faucet spout to deck



Step 8 Flush water supply lines

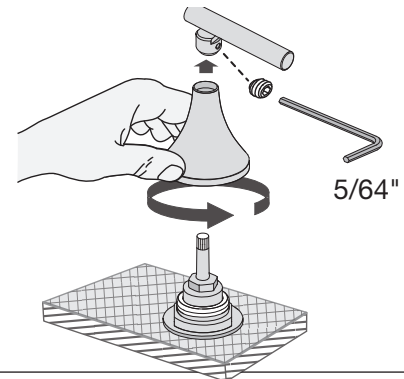


Care of faucet finish

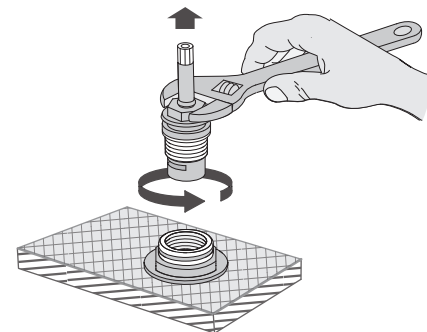
Clean finish area by using mild soap and water or non-abrasive cleaner and then rinse immediately. A non-abrasive wax may be used to preserve finish area.

Valve cartridge replacement

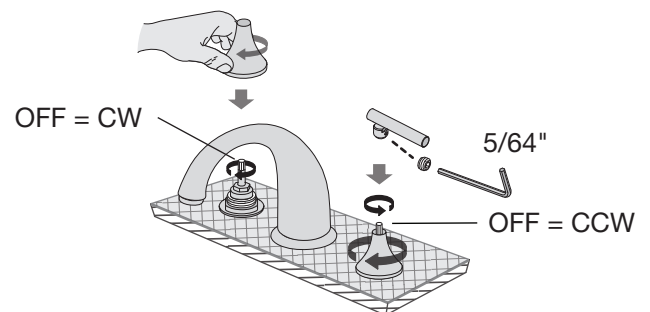
Step 1 Remove faucet handle and collar



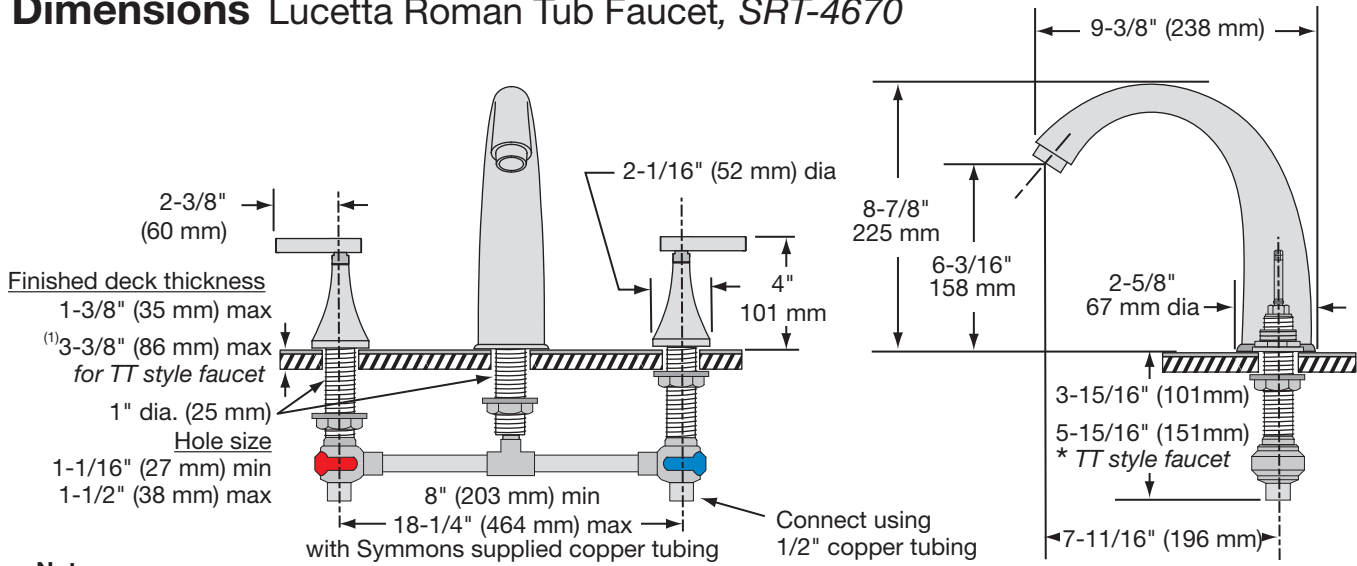
Step 2 Remove and replace cartridge



Step 3 Attach collar and faucet handle



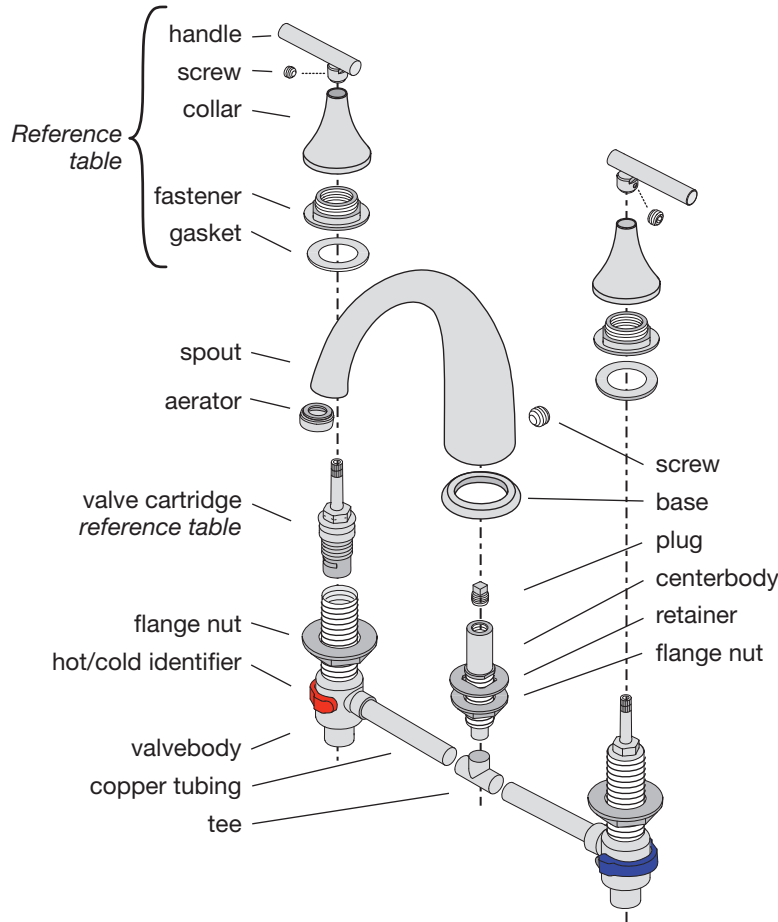
Dimensions Lucetta Roman Tub Faucet, SRT-4670





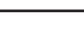
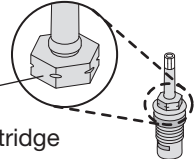



Note

- (1) Use TT style faucet if deck thickness is 1-3/8" to 3-3/8" (35 mm - 86 mm). Contact Symmons customer service to special order TT style faucet, model number SRT-4670-TT-BDY.
- (2) Dimensions subject to change without notice.

Parts Assembly Lucetta Roman Tub Faucet, SRT-4670



Replacement Parts	
Part Number	Item (Qty)
RT-CYL-TP-KIT* <i>2 handles included</i>	handle (2)  screw (2)  collar (2)  fastener (2)  gasket (2)  <i>Screw requires 5/64" Allen wrench</i>
KN-114E (hot) OFF = CW KN-113E (cold) OFF = CCW	 KN-113E identified by groove valve cartridge
RT-106*	aerator 

* Note: For decorative finish faucets append three letter suffix code to parts marked with an asterisk (*).
Ordering replacement parts:
 Call Symmons customer service at (800) 796-6667, (781) 848-2250 M-F 7:30 am - 6:00 pm EST or check our website at www.symmons.com for a list of Symmons distributors.