



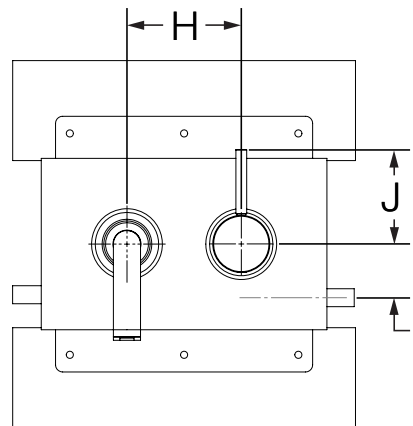
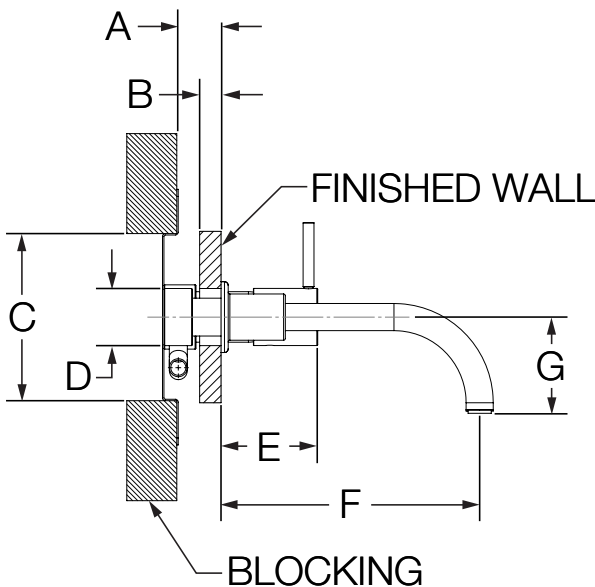
SWM-0153-2700-1.5
 Wall Mounted Lavatory Faucet
Operation & Maintenance Manual



Model Number	Specification
<input type="checkbox"/> SWM-0153-2700-1.5 <i>Wall Mounted Lavatory Faucet</i>	Wall mounted lavatory faucet featuring two hole mounting configuration. Includes ceramic cartridge and 1.5 gpm (5.7 L/min) flow regulator. Components made from brass and nonmetallic materials plated in standard polished chrome finish. Note: Requires hot and cold inlet piping to be reversed.
Modifications	
<input type="checkbox"/> -0.5 <i>0.5 gpm (1.9 L/min) flow regulator</i> <input type="checkbox"/> -1.0 <i>1.0 gpm (3.8 L/min) flow regulator</i> <input type="checkbox"/> -2.2 <i>2.2 gpm (8.3 L/min) flow regulator</i> <input type="checkbox"/> -G <i>Grid drain</i>	
Note: Append appropriate -suffix to model number.	Compliance
Warranty Limited Lifetime - to the original end purchaser in consumer installations. 5 Years - for commercial installations. Refer to www.symmons.com/warranty for complete warranty information.	-ASME A112.18.1/CSA B125.1 -NSF/ANSI 61.9, NSF/ANSI 372 -WaterSense 1.5 gpm (5.7 L/min) For California Residents WARNING: This product contains chemicals known to the State of California to cause cancer, birth defects, or other reproductive harm.



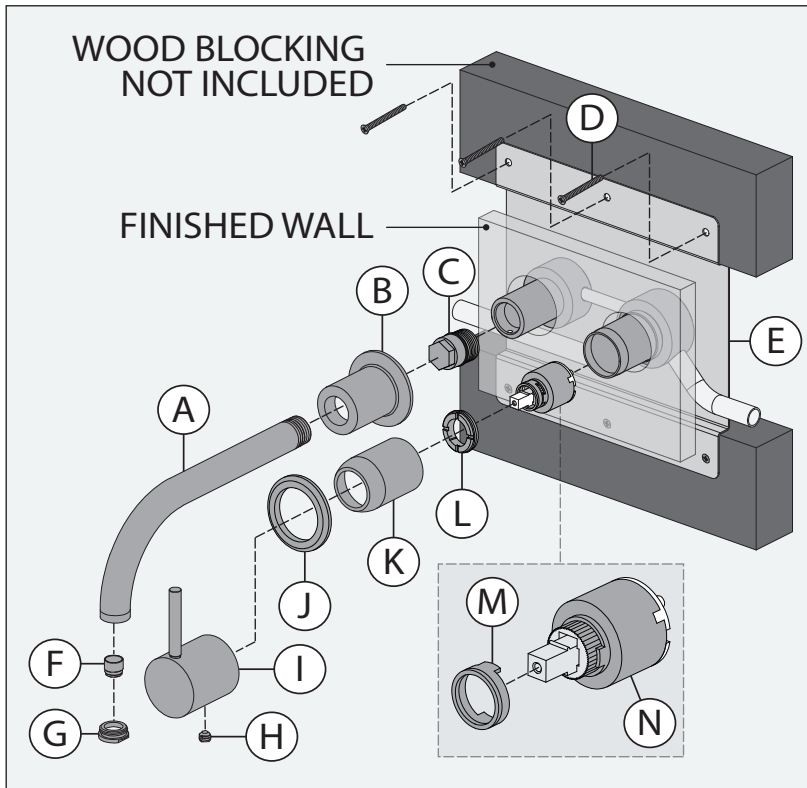
Dimensions



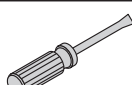
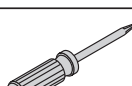



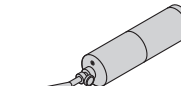


Measurements	
A	Min. 1-1/2", 38 mm Max. 1-3/4", 44 mm
B	Max. 3/4", 19 mm
C	Min. 5-7/8", 149 mm
D	(2x) Hole Size Min. Ø 2", 51 mm Max. Ø 2-1/4", 57 mm
E	3-3/8", 86 mm
F	9", 229 mm
G	3-3/8", 86 mm
H	4", 102 mm
I	(2x) 1-7/8", 48 mm
J	3-5/16", 84 mm

Note: Dimensions subject to change without notice.

Parts Breakdown



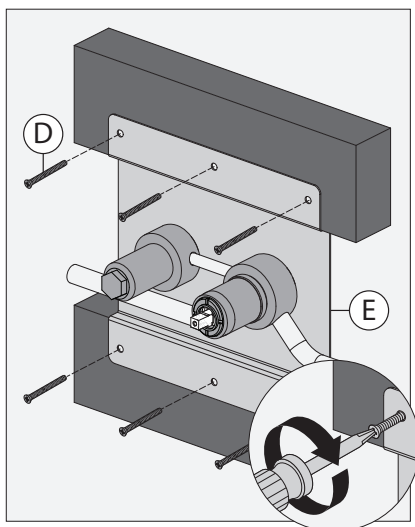
Replacement Parts		
Item	Description	Part Number
A	Spout Assembly, 0.5 gpm	RL-218-0.5
F	Spout Assembly, 1.0 gpm	RL-218-1.0
G	Spout Assembly, 1.5 gpm	RL-218-1.5
	Spout Assembly, 2.2 gpm	RL-218-2.2
F	Flow Regulator, 1.5 gpm	RL-186
G	Flow Regulator, 0.5 gpm	RL-186-0.5
	Flow Regulator, 1.0 gpm	RL-186-1.0
	Flow Regulator, 2.2 gpm	RL-186-2.2
H I	Handle Assembly	RL-264
J K	Escutcheon & Mounting Ring	RL-265
M N	Temperature Limit Stop Cartridge	KN-4
Tools Required		
Adjustable Wrench		
Allen Wrench (1/8")		
Flat Head ScrewDriver		
Phillips Head ScrewDriver		
Plumber Tape		
Rubber Mallet		
Solder		
Torch		

Installation

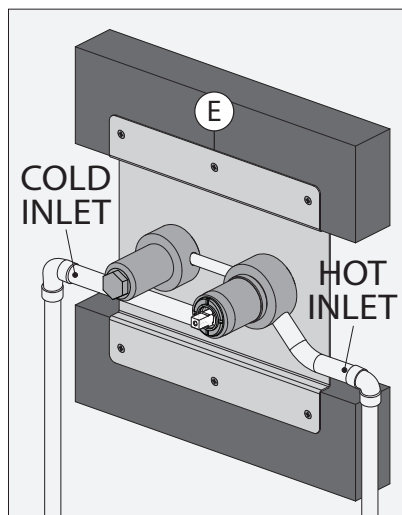


- 1) If replacing an older faucet ensure water supply is turned **OFF** before removing, then turn faucet control valve **ON** to relieve water pressure.
- 2) Water lines **MUST** be thoroughly flushed **BEFORE** and **AFTER** installing the faucet to prevent foreign matter i.e. copper chips, sand, stones, etc. from clogging and damaging the sealing surfaces of the cartridge.

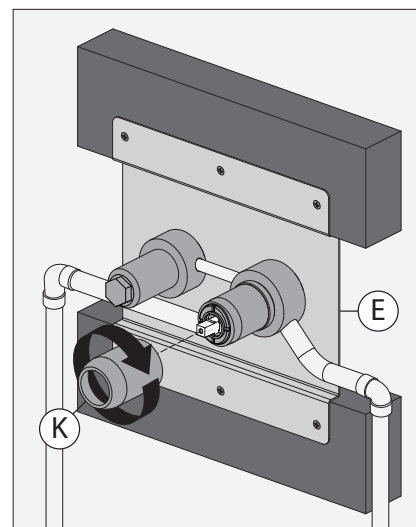
1) Secure valve body mount (E) to wood blocking with (6x) wood screws (D).



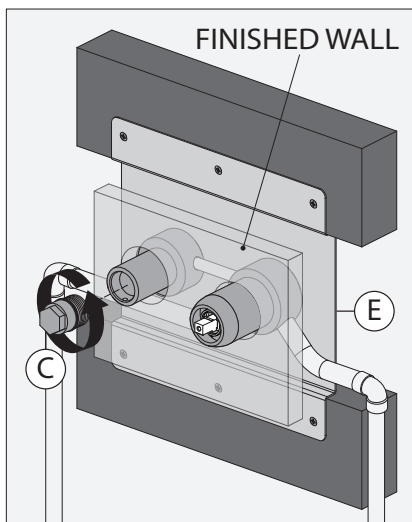
2) Pipe hot water supply to copper tube inlet on right side of valve body mount (E) and cold water supply to copper tube inlet on left side of valve body mount.



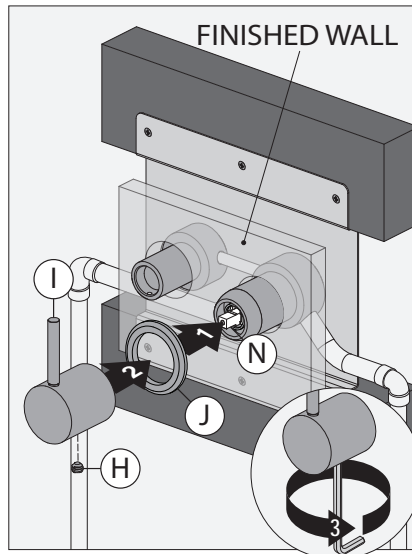
3) Install escutcheon (K) flush to valve body on valve body mount (E).



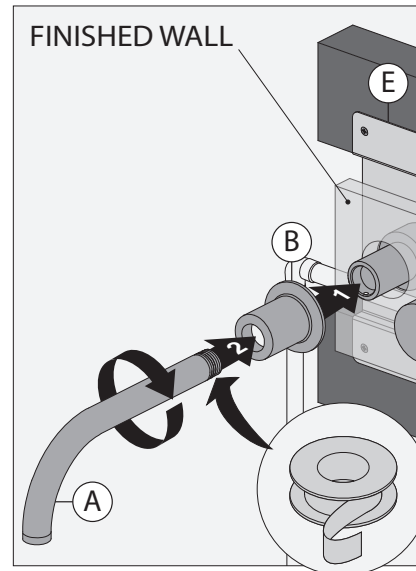
4) Install finished wall and remove spout body plug (C) from spout body on valve body mount (E).



5) Install mounting ring (J) flush to finished wall. Attach handle (I) to cartridge (N) and secure with set screw (H).

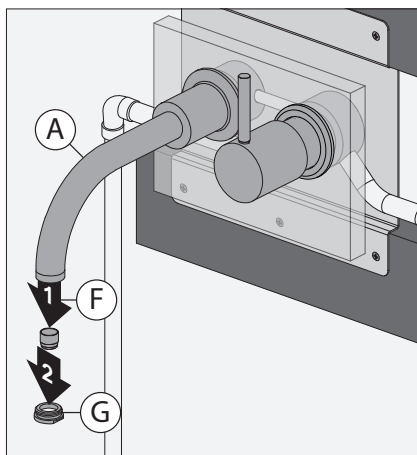


6) Install spout escutcheon (B) flush to finished wall. Install spout (A) to spout body on valve body mount (E).

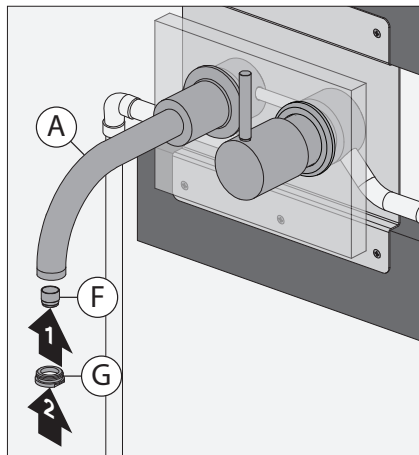


Installation

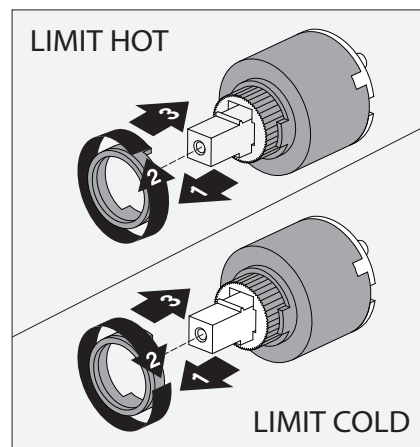
7) Remove housing (G) and flow regulator (F) from spout (A). Turn on water supplies and flush faucet free of debris.



8) Install flow regulator (F) and housing (G) to spout (A).

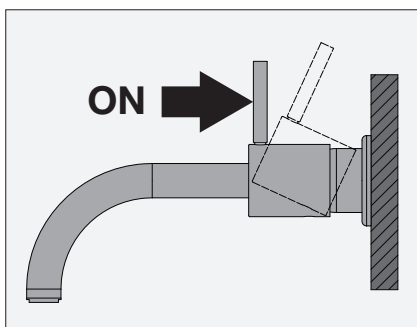


9) **Optional:** Adjust limit stop washer to limit handle turn to the hot position if desirable.

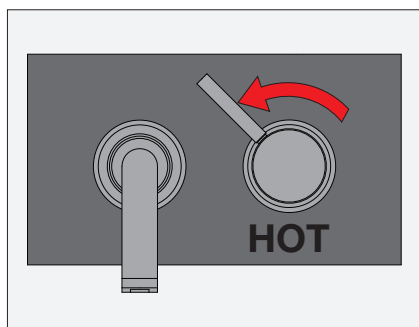


Operation

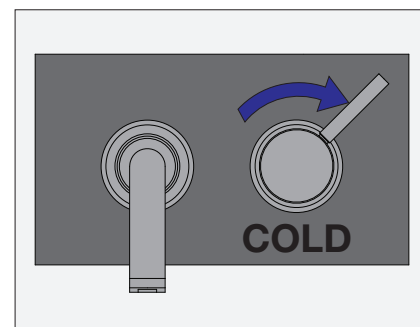
1) Push faucet handle inward to turn faucet **on**.



2) Turn counter-clockwise to put faucet handle in the **hot** position.

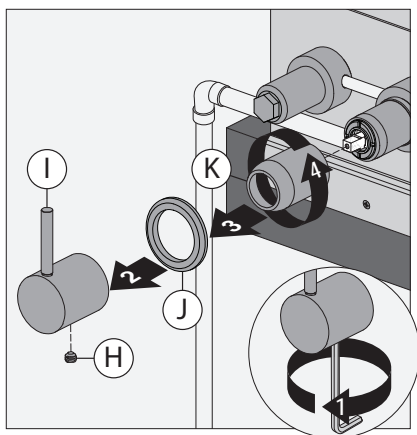


3) Turn clockwise to put faucet handle in the **cold** position.

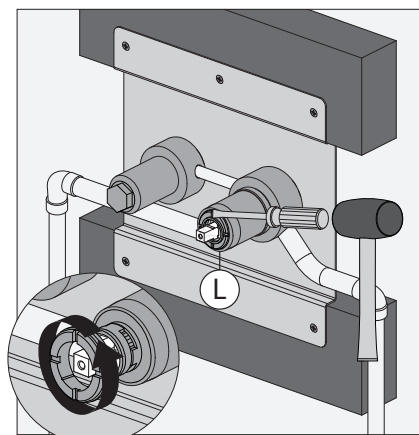


Maintenance

1) Turn water supplies off. Remove set screw (H), handle (I), mounting ring (J) and escutcheon (K).



2) Use flat head screwdriver and rubber mallet to remove compression nut (L).



3) Remove cartridge and inspect for debris. Replace cartridge if necessary.

4) Install cartridge following steps 1 and 2 in reverse.

Troubleshooting Chart

Troubleshooting Chart		
Faucet no longer maintains accurate temperature.	Foreign matter such as copper chips, sand, stones, etc. clogging the cartridge ports and/or damaging the sealing surfaces of the cartridge.	Remove cartridge (N) and inspect for debris. Replace cartridge if necessary.
Faucet leaks from handle.	Same as above.	Same as above.
Handle is loose.	Set screw has loosened.	Tighten set screw (H).
Finish is spotting.	Elements in water supply may cause water staining on finish.	Clean finished trim area with a soft cloth using mild soap and water or a non-abrasive cleaner and then quickly rinse with water.