

SYMMONS Vacuum Breaker VB

INSTALLATION INSTRUCTIONS

Tested and certified under ASSE/ANSI Standard 1001 for pipe applied atmospheric type vacuum breakers. Meets or exceeds CSA Standard B64

PURPOSE:

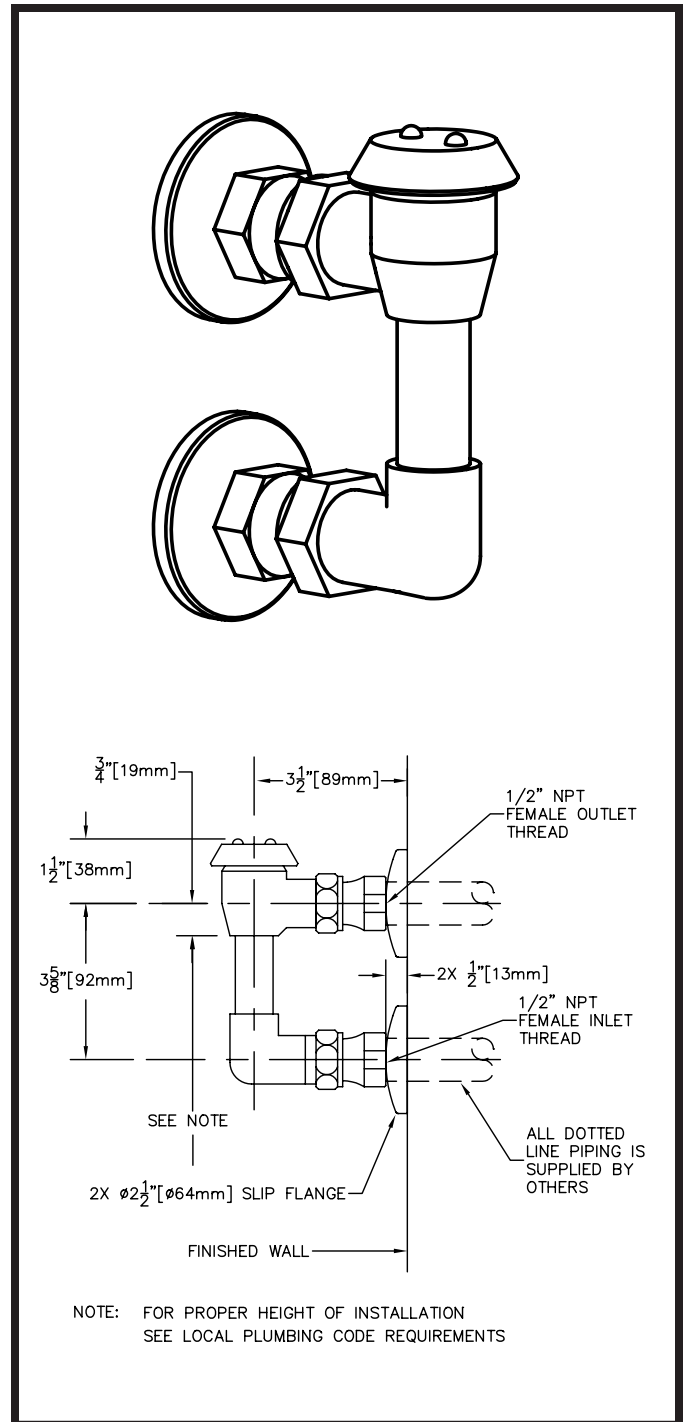
This angle type valve is designed to prevent back-siphonage of contaminated water into a potable water supply. This type is not recommended for use under continuous pressure and not designed to provide back-flow protection due to back pressure. Even though a check valve may be present.

APPLICATIONS:

An atmospheric vacuum breaker should be installed on every outlet where a hose can be attached. Maximum temperature is 212°F at 125 lbs. working pressure. Cold water device application range 33°F up to 110°F and as hot water device above 110°F.

INSTALLATION:

Atmospheric vacuum breakers must be installed between the discharge side of the control valve of the fixture and the outlet. For proper operation there must be no valve between the vacuum breaker and the outlet. Atmospheric vacuum breakers should be located not less than six inches above flood rim or overflow. The fitting should be located where it can be inspected and serviced and where a momentary spill of water from air inlet will not be a problem.



Symmons Industries, Inc. ■ 31 Brooks Drive ■ Braintree, MA 02184
 (800) 796-6667, (781) 848-2250 ■ Fax (800) 961-9621, (781) 843-3849
 Website: www.symmons.com ■ Email: customerservice@symmons.com

©2007, 2008 Symmons Industries, Inc. Printed in U.S.A. ■ ZV-378 ■ 050208


SYMMONS[®]
 the smart choice™