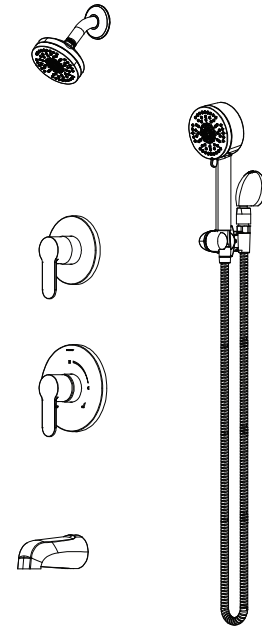




SYMMONS® Identity®



Parts Breakdown Document

Model Numbers

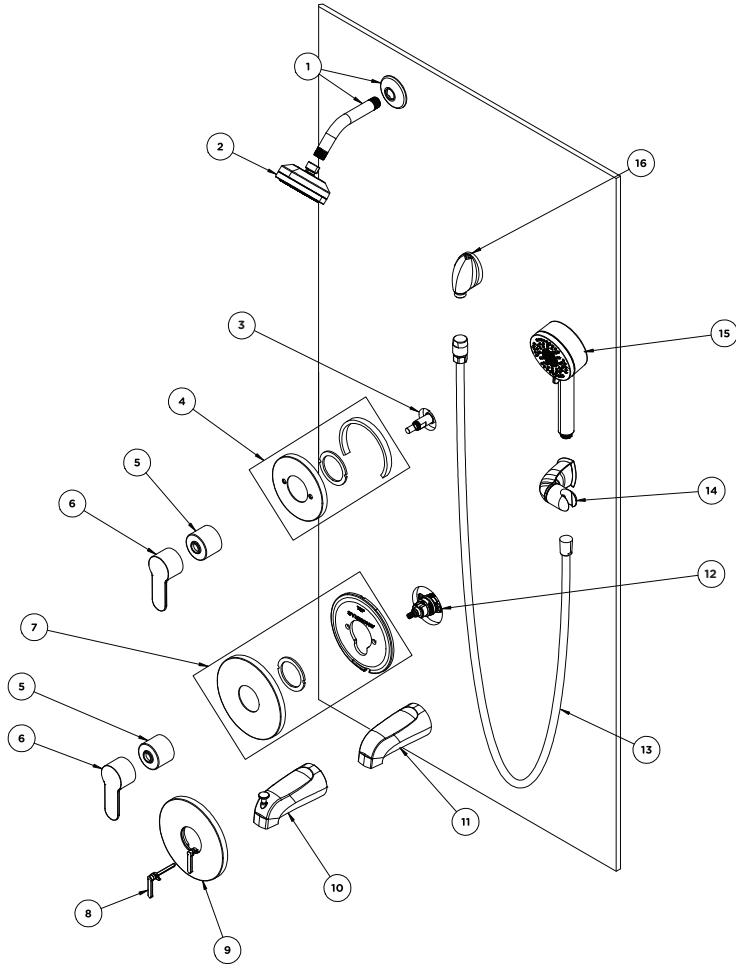
Temptrol®

- 6790** Identity Shower Valve Trim, Valve only
- 6791** Identity Shower Valve Trim, with Showerhead
- 6792** Identity Tub/Shower Trim, with Showerhead
- 6793** Identity Shower Trim, with Hand Shower System
- 6795** Identity Shower Trim, with Diverter Trim, Showerhead, and Hand Shower System
- 6796** Identity Tub/Shower Trim, with Diverter Trim, Tub Spout, Showerhead, and Hand Shower System

Temptrol® VersaFlex™

- S6790** Identity Shower Valve Trim, Valve only with Diverter Lever
- S6791** Identity Shower Trim, with Showerhead and Diverter Lever
- S6792** Identity Tub/Shower Trim, with Showerhead and Diverter Lever
- S6794** Identity Tub/Shower Trim, with Hand Shower System, Diverter Lever, and Tub Spout
- S6798** Identity Shower Trim with Diverter Lever, Showerhead, and Hand Shower System

Parts Breakdown



#	Description	Part Number
1	Shower Arm	300S*
2	Showerhead	482SH*
3	Diverter Assembly, 4-Port	3DIVBODYSRT (3DIVBODYSRTNS for California)
	Diverter Assembly, 3-Port	2DIVBODYSRT (2DIVBODYSRTNS for California)
4	Diverter Escutcheon Kit	67-DIV-ESC*
5	Dome Cover	T-19*
6	Diverter Handle Lever	RTS-084*
7	Escutcheon Kit	6700-ESC*
8	Diverter Lever	RTS-083*
9	VersaFlex™ Escutcheon Kit	S-6700TS-ESC*
10	Diverter Tub Spout (Thread-On)	054*
11	Tub Spout (Thread-On)	060*
12	Spindle, Temptrol®	TA-10
	Cap Assembly	TA-12A
13	Hand Shower Hose 5'	EF-104*
14	Hand Shower Wand Cradle	RA-009*
15	Hand Shower Wand with NPSO	482W*
16	Wall Elbow, Type 2 Drop	EF-105*

*If finish is OTHER than chrome, part requires finish modifier

Finish Modifiers:

- BBZ - Brushed Bronze finish
- MB - Matte Black finish
- STN - Satin Nickel finish