



**SYMMONS**

Location:

**Temptrol<sup>®</sup>  
Commercial**



C-96-300-B30-V-X, C-96-300-B30-V-TRM & C96300B30TRMTC  
Hand Shower System & Trim  
**Specification Submittal**




**Model Numbers**

- C-96-300-B30-V-X** Hand Shower System with Temptrol Pressure Balancing Shower Valve
- C-96-300-B30-V-TRM** Hand Shower Trim, Temptrol Pressure Balancing Shower Valve ordered separately
- C96300B30TRMTC** Hand Shower Trim with TA-10 flow control spindle and T-12A cap assembly, must order Temptrol valve with Test Cap

**Feature Highlights**

- Temptrol Commercial Hand Shower System or Trim
- Requires Temptrol<sup>®</sup> Pressure Balancing Shower Valve (included with C-96-300-B30-V-X)
- Integral service stops allow water shutoff at valve for service (included with C-96-300-B30-V-X)
- Adjustable stop screw to limit hand turn (included with C-96-300-B30-V-X)
- Metal lever handle
- Dual checks for backflow protection
- 30" slide bar for hand shower
- 60" flexible metal hose
- 1 mode hand shower
- 2.0 gpm (7.6 L/min) flow restrictor
- Tub spout and showerhead not included
- Components shall be metal and nonmetallic construction, plated in standard Polished Chrome finish
- Available with TA-10 flow control spindle and T-12A cap assembly for Temptrol valve bodies installed with Test Cap (order p/n C96300B30TRMTC)

**Options/ Modifications**

- 72** 72" hose in place of 60" hose
- 1.5** 1.5 gpm (5.7 L/min) flow restrictor
- L/HS**  Hand Shower wand not included Includes hose, in-line vacuum breaker, wall connections, cradle and flange only
- Delete Suffix X** Less integral service stops
- CHKS** Integral check stops - for use in installations where a positive shut-off device is used downstream of mixing valve
- VP** Vandal resistant escutcheon screws in place of standard screws
- R** 60" white vinyl hose in place of 60" metal hose
- L2** Less hand shower (wand only)
- L5** Less hand shower shower system (Less bar/cradle, hose and wand)
- L7** Less handle
- LAM**  Metal finish insert handle
- QD**  Quick-disconnect on hand shower units

**Compliance**

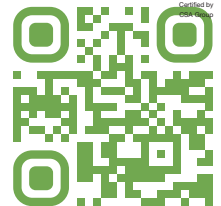
- ASME A112.18.1/CSA B125.1
- WaterSense @ 1.5 gpm



**Warranty**

**Limited Lifetime** - to the original end purchaser in consumer/residential installations.

**10 Years** - for commercial/industrial installations. Refer to [www.symmons.com/warranty](http://www.symmons.com/warranty) for complete warranty information.v



**Note:** Append appropriate -suffix to model number.



# SYMMONS® Temptrol® Commercial

C-96-300-B30-V-X, C-96-300-B30-V-TRM & C96300B30TRMTC

---

## Architectural/ Engineering Specification

---

Symmons Temptrol and Commercial Hand Shower System or Trim \_\_\_\_\_ Includes Temptrol Commercial Hand Shower System or Trim, Requires Temptrol® Pressure Balancing Shower Valve (included with C-96-300-B30-V-X), Integral service stops allow water shut-off at valve for service (included with C-96-300-B30-V-X), Adjustable stop screw to limit hand turn (included with C-96-300-B30-V-X), Metal lever handle, Dual checks for backflow protection, 30" slide bar for hand shower, 60" flexible metal hose, 1 mode hand shower, 2.0 gpm (7.6 L/min) flow restrictor, Tub spout and showerhead not included, Components shall be metal and nonmetallic construction, plated in standard Polished Chrome finish, Available with TA-10 flow control spindle and T-12A cap assembly for Temptrol valve bodies installed with Test Cap (order p/n C96300B30TRMTC). 10 Year Commercial Warranty. ASME A112.18.1/CSA B125.1, WaterSense @ 1.5 gpm compliant. Available options: "72 - 72" hose in place of 60" hose", "1.5 - 1.5 gpm (5.7 L/min) flow restrictor", "L/HS - Hand Shower wand not included, Includes hose, in-line vacuum breaker, wall connections, cradle and flange only", "Delete Suffix X - Less integral service stops", "CHKS - Integral check stops - for use in installations where a positive shut-off device is used downstream of mixing valve", "VP - Vandal resistant escutcheon screws in place of standard screws", "R - 60" white vinyl hose in place of 60" metal hose", "L2 - Less hand shower (wand only)", "L5 - Less hand shower shower system (Less bar/cradle, hose and wand)", "L7 - Less handle", "LAM -Metal finish insert handle", "QD - Quick-disconnect on hand shower units".

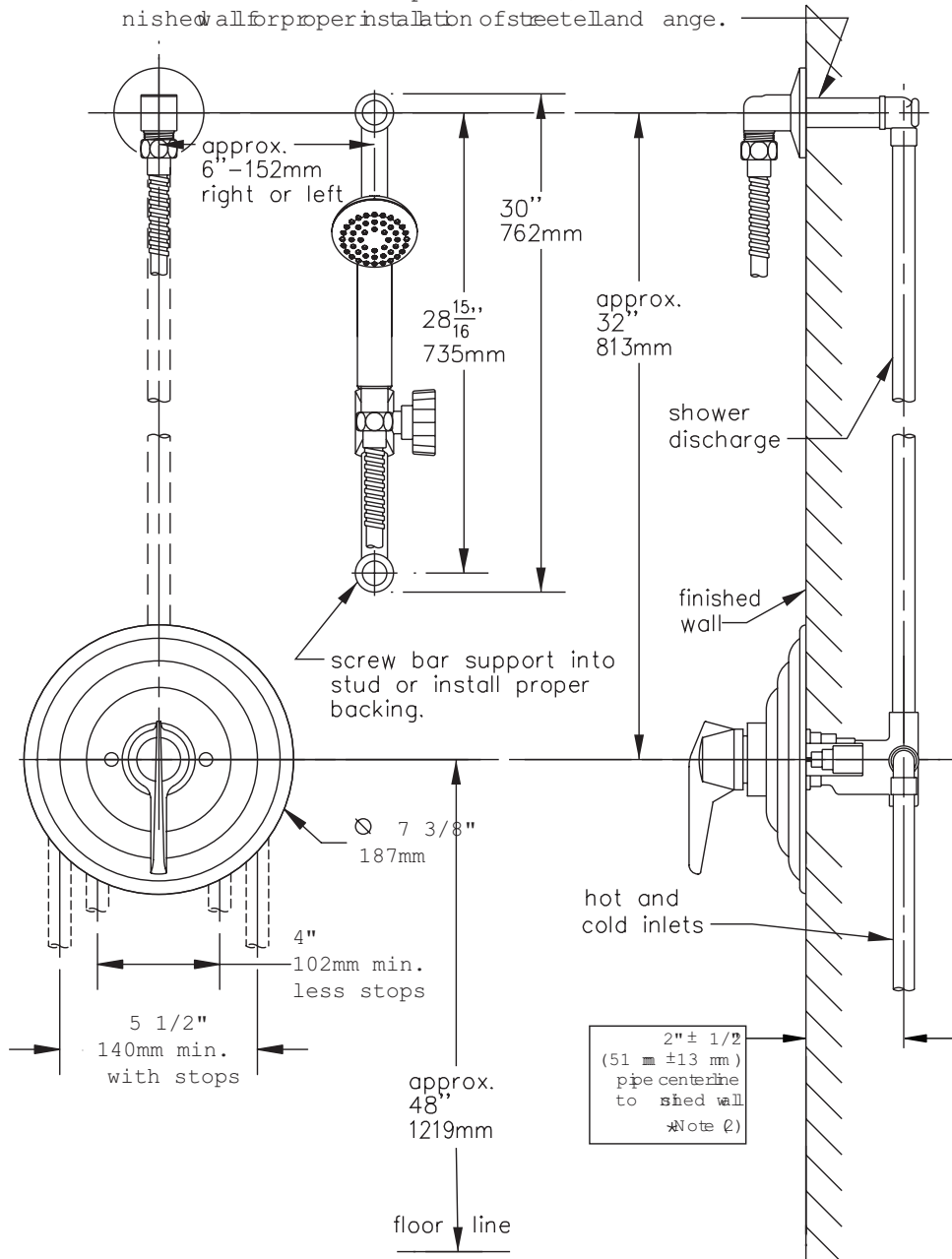


# SYMMONS® Temptrol® Commercial

C-96-300-B30-V-X, C-96-300-B30-V-TRM & C96300B30TRMTC

## Dimensions

Male 1/2" IPS thread must protrude 3/8" (10mm) from finished wall for proper installation of street and angle.



### Notes:

- 1) Valve body and piping not included and shown as reference only.
- 2) Plaster shield (p/n T-176) for dry wall, plaster or other type walls 1/2" or greater.
- 3) All dimensions measured from nominal rough-in.
- 4) Dimensions subject to change without notice.