



SYMMONS

Location:

Temptrol®
Commercial



C-96-1-295-X, C-96-1-295-TRM & C961295TRMTC

Shower System & Trim

Specification Submittal


Model Numbers

- C-96-1-295-X** Shower System with Temptrol Pressure Balancing Shower Valve
- C-96-1-295-TRM** Shower Trim, Temptrol Pressure Balancing Shower Valve ordered separately
- C961295TRMTC** Shower Trim with TA-10 flow control spindle and T-12A cap assembly, must order Temptrol valve with Test Cap

Feature Highlights

- Temptrol Commercial Shower System or Trim
- Requires Temptrol® Pressure Balancing Shower Valve (included with C-96-1-295-X)
- Integral service stops allow water shutoff at valve for service (included with C-96-1-295-X)
- Adjustable stop screw to limit hand turn (included with C-96-1-295-X)
- Metal lever handle
- Tub spout not included
- 4-295 institutional showerhead
- 2.0 gpm (7.6 L/min) flow restrictor
- Components shall be metal and nonmetallic construction, plated in standard Polished Chrome finish
- Available with TA-10 flow control spindle and T-12A cap assembly for Temptrol valve bodies installed with Test Cap (order p/n C961295TRMTC)

Options/ Modifications

- 1.5**  **1.5 gpm (5.7 L/min) flow restrictor**
- A** **Anchor plate to simplify mounting on ceramic tile**
- Delete Suffix X** **Less integral service stops**
- VP** **Vandal resistant escutcheon screws in place of standard screws**

Note: Append appropriate -suffix to model number.

Compliance

- ASME A112.18.1/CSA B125.1



Warranty

Limited Lifetime - to the original end purchaser in consumer/residential installations.

10 Years - for commercial/industrial installations. Refer to www.symmons.com/warranty for complete warranty information.



Architectural/ Engineering Specification

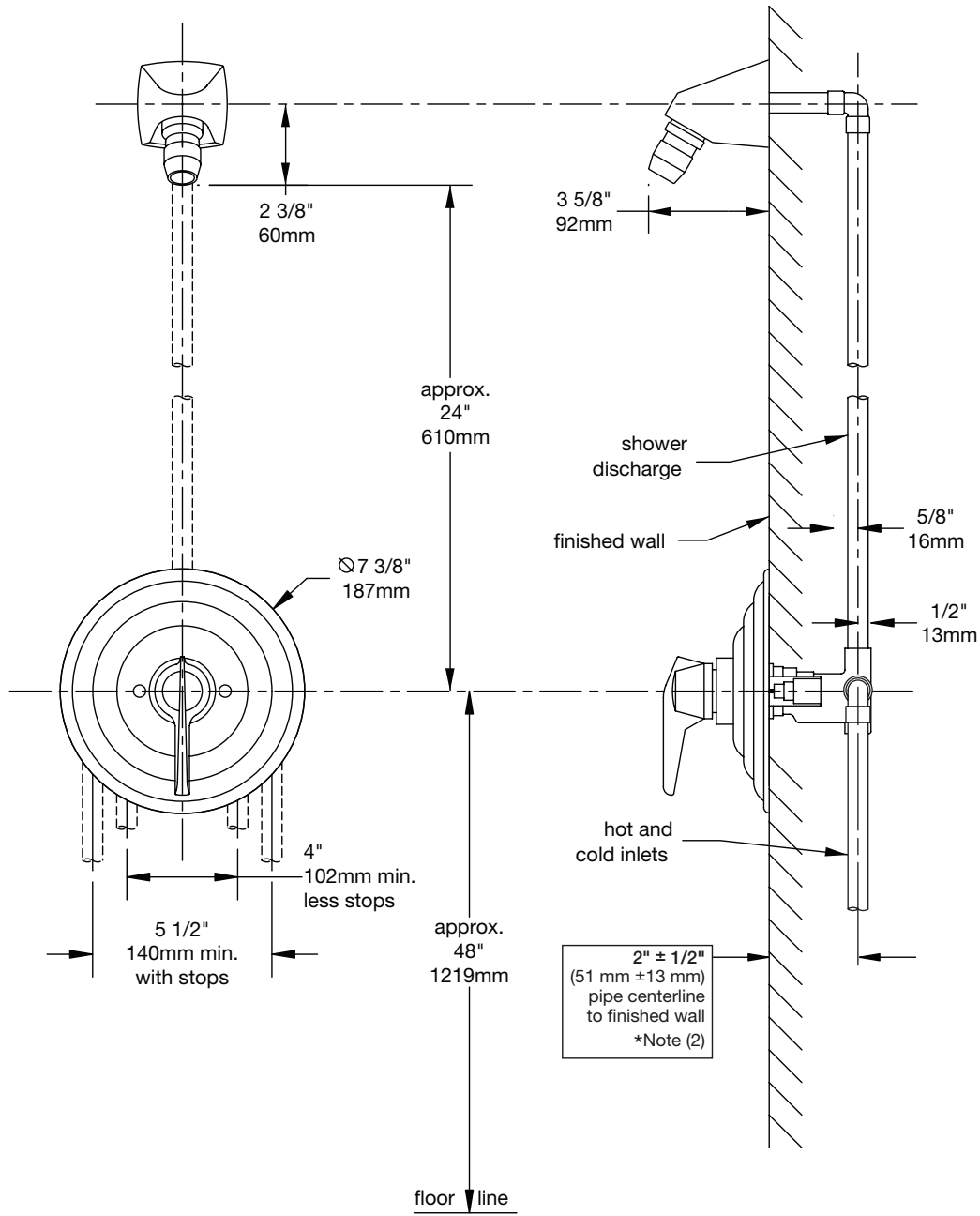
Symmons Temptrol and Commercial Shower System and Trim _____ Includes Temptrol Commercial Shower System or Trim, Requires Temptrol® Pressure Balancing Shower Valve (included with C-96-1-295-X), Integral service stops allow water shutoff at valve for service (included with C-96-1-295-X), Adjustable stop screw to limit hand turn (included with C-96-1-295-X), Metal lever handle, Tub spout not included, 4-295 institutional showerhead, 2.0 gpm (7.6 L/min) flow restrictor, Components shall be metal and nonmetallic construction, plated in standard Polished Chrome finish, Available with TA-10 flow control spindle and T-12A cap assembly for Temptrol valve bodies installed with Test Cap, (order p/n C961295TRMTC). 10 Year Commercial Warranty. ASME A112.18.1/CSA B125.1 compliant. Available options: "1.5 - 1.5 gpm (5.7 L/min) flow restrictor", "A - Anchor plate to simplify mounting on ceramic tile", "Delete Suffix X - Less integral service stops", "VP - Vandal resistant escutcheon screws in place of standard-screws".



SYMMONS® Temptrol® Commercial

C-96-1-295-X, C-96-1-295-TRM & C961295TRMTC

Dimensions



Notes:

- 1) Valve body and piping not included and shown as reference only.
- 2) Plaster shield (p/n T-176) for dry wall, plaster or other type walls $\frac{1}{2}$ " or greater.
- 3) All dimensions measured from nominal rough-in.
- 4) Dimensions subject to change without notice.